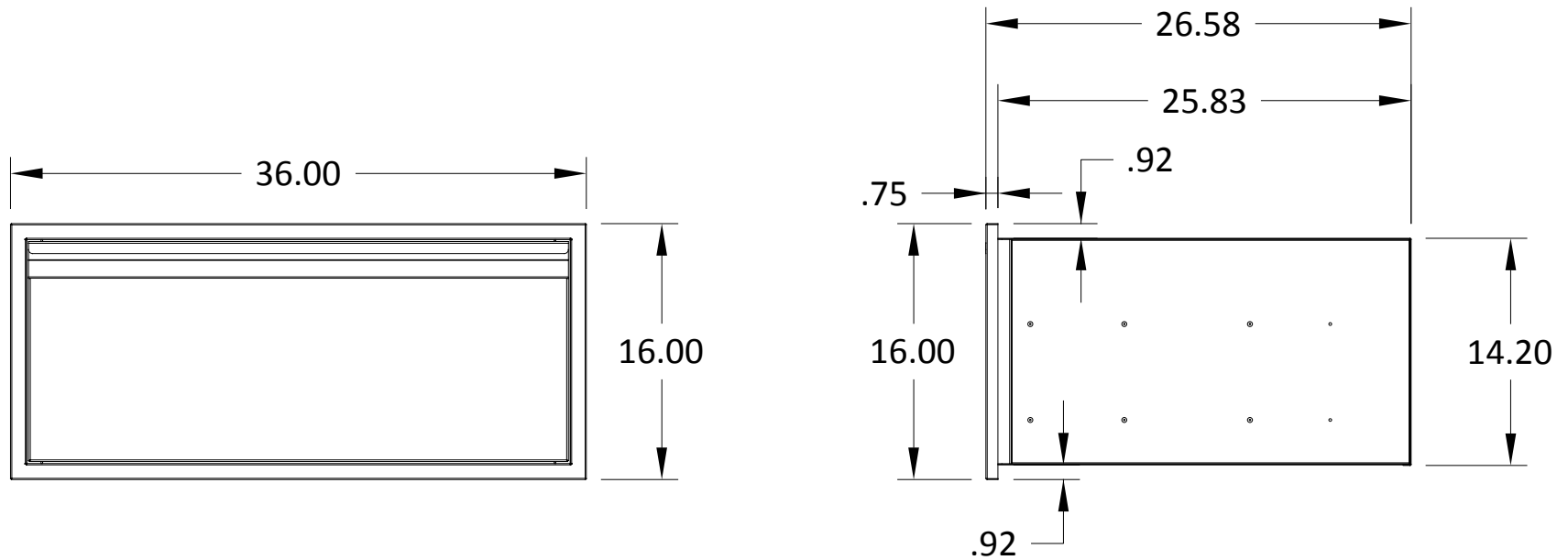


# TESD361-B : TWIN EAGLES 36" PELLET STORAGE DRAWER



Ø.250 (4X)  
MOUNTING HOLES  
TOP AND BTM

