



Cedar Ridge Fire Pit Table

Installation Instructions for Cedar Ridge Fire Pit Table
CR-1242



IMPORTANT

Please consult your Crystal Fire instruction manual for detailed instructions and important information related to the burner installation including: lighting and operating instructions, safety information, and proper tightening of connections with two wrenches.

DO NOT ATTEMPT TO INSTALL CF-1242 BURNER WITHOUT FIRST CONSULTING THE CRYSTAL FIRE OWNER'S MANUAL.

Contents

Required Tools.....	2
Included with your Fire Pit.....	3
Assembly Instructions.....	4
Gas Connections.....	7
Igniter Installation.....	9
Glass Installation.....	10
Position Your Tank.....	11

Required Tools



- Utility Knife

To cut and remove packaging



- 2 Open Ended Wrenches

To secure gas connections



- Leather Gloves

To protect hands from glass and sharp edges during install



- One AAA Battery (not included)

Required for electric spark igniter installation



- Phillips Screwdriver

To attach mounting screws to control panel



- **Two people are required for this installation**

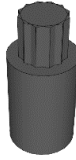
Included with your Fire Pit



M6 Allen Wrench [X 1]

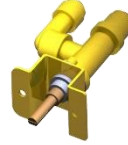


Bolt Caps [X 4]



Touch-up Paint [X 1]

Gas Valve Kit

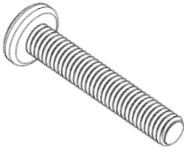


Gas Valve (x1)



Mounting screws (x2)

Bolt A [X 4]



M6X35

Bolt B [X 4]



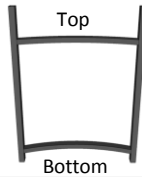
M6X20



Control knob (x1)



Panel B [X 1]



Center Support [X 1]



Panel A [X 1]

Crystal Fire CF-1242 Burner Kit



Panel C [X 1]

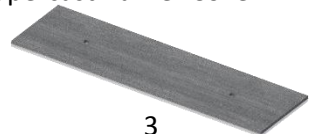


Access Door [X 1]



Supercast Top

Supercast Burner Cover

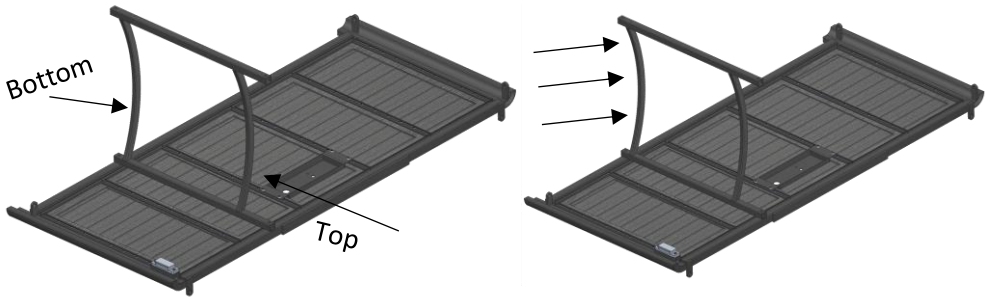


3

Assembly Instructions

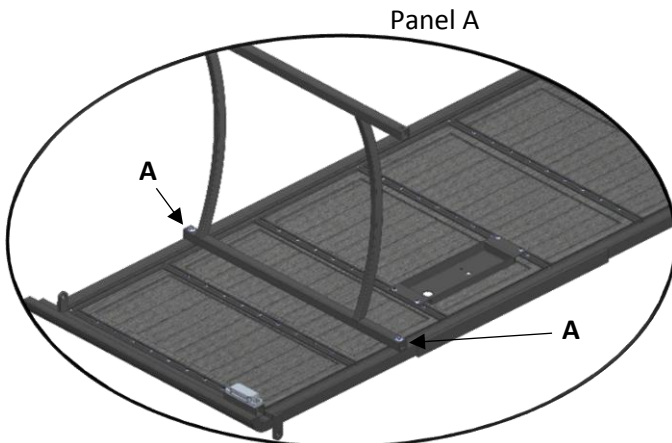
1. Unpack the fire pit table contents from the box, and remove individual packaging from each piece.
2. Lay Panel A on soft, flat surface.
3. Position Center Support on Panel A.

NOTE: it is very important to place the Center Support exactly as shown in the picture below. This will ensure that your burner (and propane tank, if applicable) will fit correctly with your fire pit table base. (Refer to “Included with Your Fire Pit” for component details).

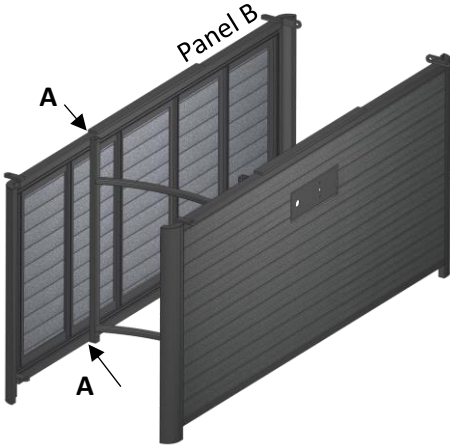


NOTE: curve facing inward toward Control Panel.

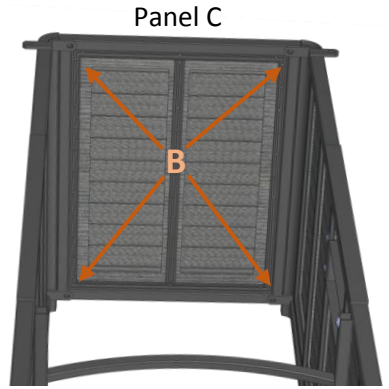
4. Attach Center Support with Bolt A (x2).



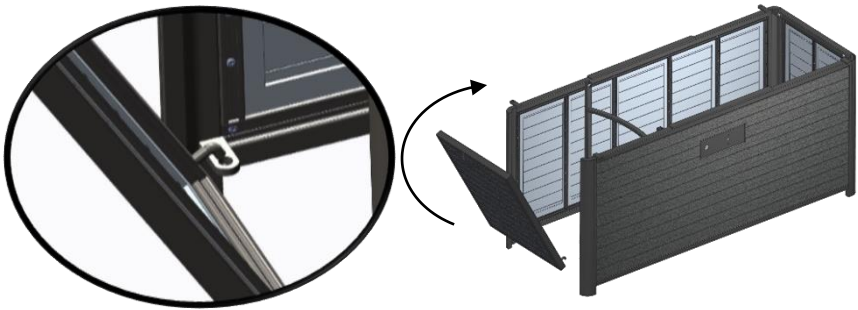
4. Stand up Panel A and use 2 more Bolt A to attach Center Support to Panel B.



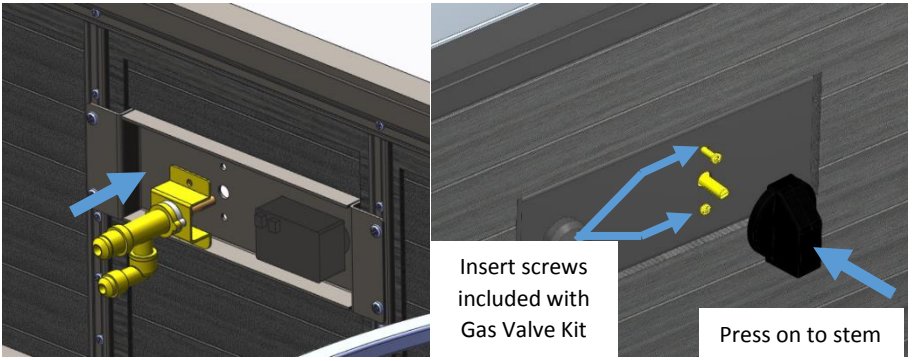
5. Use Bolt B (x4) to attach Panel C as shown.



6. Attach Access Door.



7. Hold the Gas Valve in place from behind the control panel while inserting the two included screws. Use a Philips screwdriver to fasten. Attach control knob by pressing on to the valve stem.



8. Set Supercast Top directly onto base as shown below.



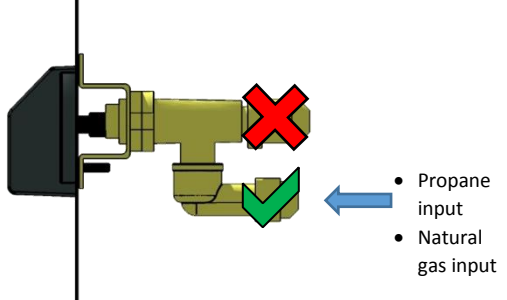
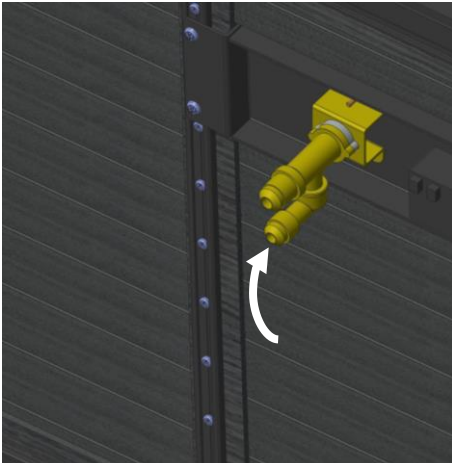
Gas Connections

Read and understand your Crystal Fire owner's manual before beginning burner hookups or using the device.

Do not use Teflon tape or pipe dope on flare fittings.

1. Reach inside the burner cut-out and attach natural gas supply line using a 3/8" flare fitting, or attach the included black rubber propane hose and regulator to the bottom fitting of the control valve.

TIGHTEN SECURELY WITH A WRENCH

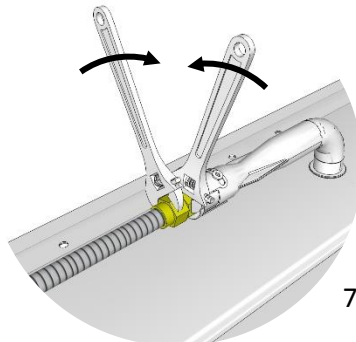
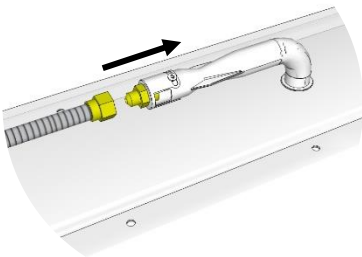


OR

Natural gas supply line
as specified by local
building codes

2. Lay the burner upside down on a flat, soft surface to avoid scratching the polished metal. Ensure the correct orifice is installed for the fuel type you are using (see Crystal Fire user manual included with burner for orifice sizing information)
Attach the included metal flex hose to the burner.

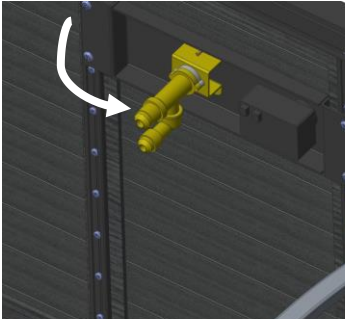
TIGHTEN SECURELY WITH TWO WRENCHES



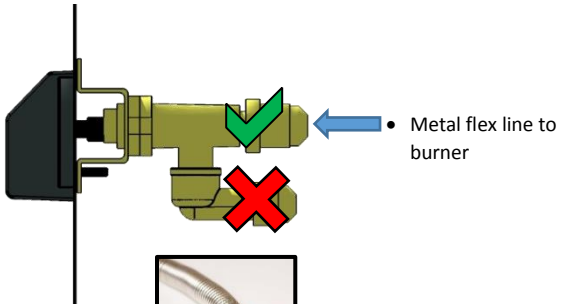
3. Set Burner into the fire pit base exactly as shown and make final gas connection to the Control Panel.

Igniter

Access
Door

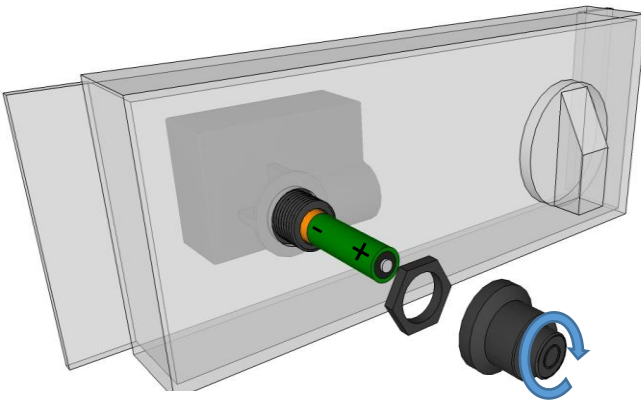


**TIGHTEN CONNECTION
SECURELY WITH WRENCH**



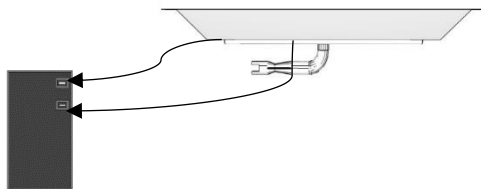
Igniter Installation

1. Make sure the valve is in the OFF position before beginning.
2. Install sparker as shown, using a AAA battery (not included). Negative end should be placed inside the CF-SPARKER, positive end outside of the CF-SPARKER.



Sparker will not operate correctly without an ignition **and** ground wire attached.

- Plug both **BLACK** wires hanging from the burner into the back of the sparker box.

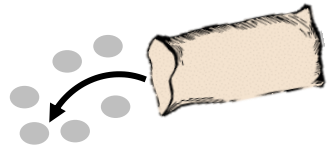


- Test system by pushing the button on the igniter. Consult the troubleshooting section of the Crystal Fire Owner's Manual, if the spark is weak, intermittent, or not present.

Glass Installation

1. Scatter all of the included Glass Beads evenly onto burner surface.

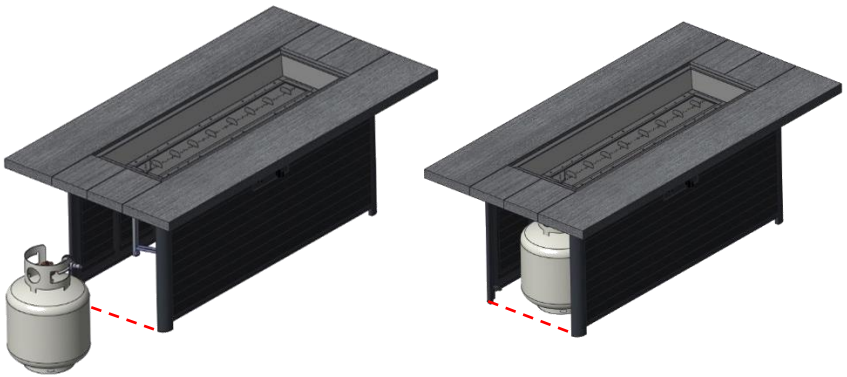
**DO NOT OPERATE CRYSTAL FIRE BURNER WITHOUT
GLASS BEADS OR OTHER DECORATIVE MEDIA**



**DO NOT OPERATE CRYSTAL FIRE BURNER WITH SUPERCALC
BURNER COVER IN PLACE**

After installing igniter and making gas connections, verify that all connections are tight and that no leaks are present using a solution of soapy water or a commercially available leak-check solution.

Position Your Tank (if applicable)



1. Remove door, connect the propane hose/regulator to the propane tank and hand tighten (DO NOT USE A WRENCH) and slide the propane tank past the dotted line to ensure the door closes properly.
2. With the tank inside, ensure that no hoses, wires, or any other components are kinked or touching the burner pan.

Care and maintenance note:

Light scratches may be removed from the poly-wood surfaces of this fire pit by gently sanding with 220-grit sandpaper in the same direction as the grain. Sanding too deeply or not following the grain of the material could result in permanent damage.

IMPORTANT

Please consult your Crystal Fire instruction manual for detailed instructions and important information related to the burner installation including: lighting and operating instructions, safety information, and proper tightening of connections with two wrenches.

DO NOT ATTEMPT TO INSTALL CF-1242 BURNER WITHOUT FIRST CONSULTING THE CRYSTAL FIRE OWNER'S MANUAL.

WARNING

After consulting the manual and following instructions, remember; before operating, all gas connections must be fully checked for leaks

Warranty: Fire pit tables are covered under a 1-year manufacturer's warranty. Please visit <http://www.outdoorrooms.com/warranty-form/> to register your product.



14400 Southcross Drive West • Suite 100 • Burnsville, MN 55306
Toll Free: 1-866-303-4028 • Sales@OutdoorRooms.com