



Electric Infrared Heater

Indoor/Outdoor Infrared Heater

DSH



Radiant heat with style
and performance.

The Dimplex DSH series heaters are ideal for use in low lighting environments like restaurants and outdoor entertaining spaces. Reaching maximum heat in less than 3 seconds, this product provides premium comfort, while mirroring the quality of interior décor, outdoors. This infrared heater is compatible with wall, ceiling, and stand mounts - ceiling bracket and mounting stand sold separately.

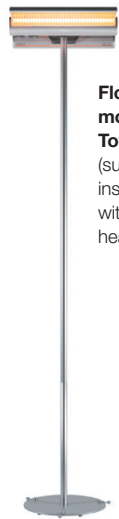
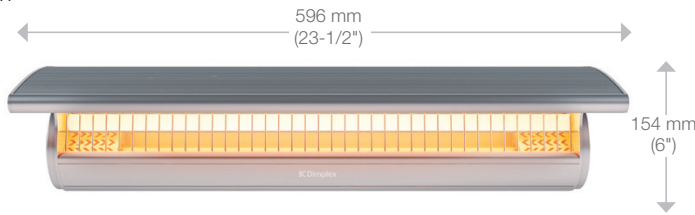


Electric Infrared Heater

Indoor/Outdoor Infrared Heater

DSH

Surface Installation



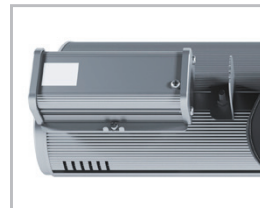
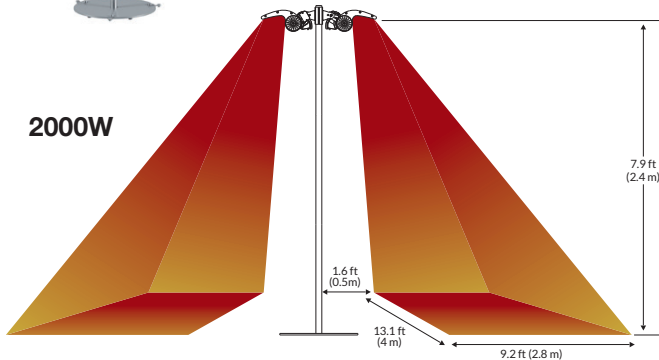
Floor-mounted Tower
(suitable for installation with 1 or 2 heaters)



Ceiling-mounting bracket
(suitable for installation with 1 or 2 heaters) sold separately



Wall-mount bracket included



Features

Instant Heat

Get heat on demand with a ruby halogen bulb that provides full power in under 6 seconds

Timer

To prepare ahead, each heater contains a 1, 2 & 3 hour delay timer

Waterproof

Suitable for all climates, with an IP65 rating for outdoor or indoor use

Corrosion Resistant

Built to last with anodized aluminum casing that provides a long life

Durable

Meant to keep you warm for years with up to 5,000 hours of running life

Installation Options

Includes pivoting mounting bracket for the wall, but a ceiling mount or floor stands can be purchased separately

Hardware Connection

Designed for permanent installations on a direct wired dedicated circuit

Adjustable Angle

For optimum heat, direct the unit toward the object or person you want to warm up

Remote Control (included)

Stay in control, multiple heaters can be regulated with a single remote

Automatic Shutoff

Feel secure, a safety mechanism will automatically shut off power to the unit after 8 hours of operation

Ease of Installation

Each heater comes with the element pre-installed, which eases in installation and reduces the risk of damaged, broken or misplaced elements upon delivery

Model #	Description	Mounting	UPC	Watts	Volts	Warranty ¹	Product Dimensions (WxHxD)	
							Inches	cm
DSH20W	Wall-mounted IR Heater	Wall-mounting	781052	2000	240	1 yr.	23-1/2 x 6 x 12-7/8	596 x 154 x 326
DSHSTAND	Floor-mounted Tower	Floor Stand	781052					
DSHCMB	Ceiling-mount bracket	Bracket	781052					

Specifications, finishes and dimensions are subject to change. ¹Limited warranty. ©2020 Glen Dimplex Americas

SE-545-R01-081720