

ZEPHYR

WWW.ZEPHYRONLINE.COM

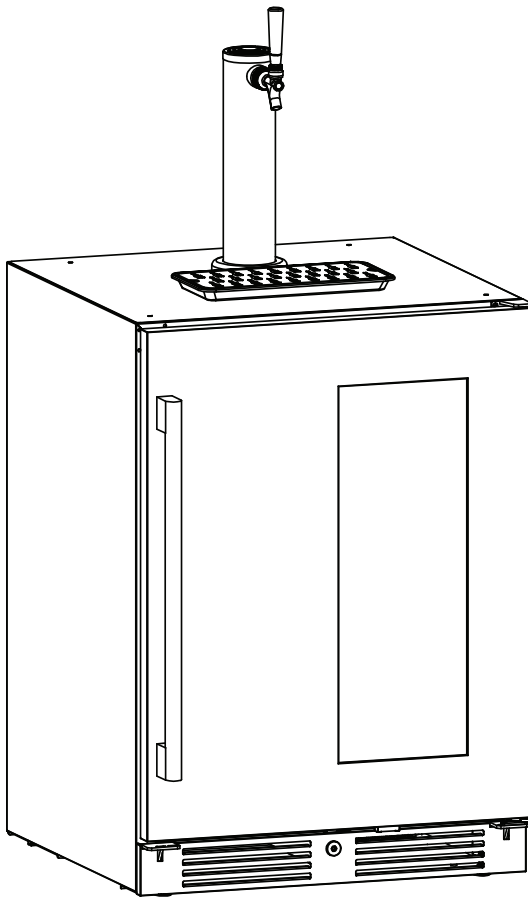
PRKB24C01AG (indoor)

PRKB24C01AS-OD (outdoor)

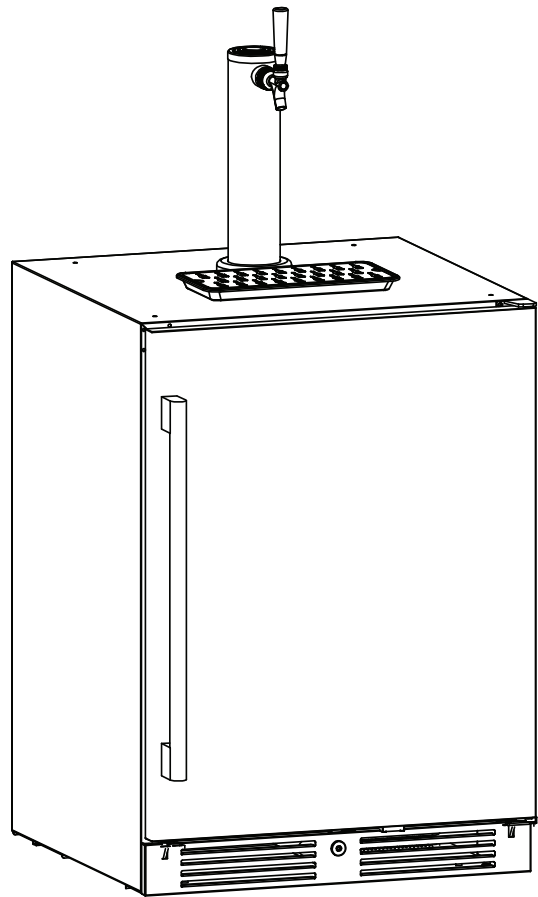
Presrv™ Kegeerator and Beverage Cooler

EN Use, Care, and Installation Guide

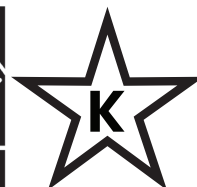
FR Guide d'utilisation, d'entretien et d'installation



PRKB24C01AG (indoor)



PRKB24C01AS-OD (outdoor)



Contents

	Page
Safety Information	4-11
Types of Safety Warnings.....	4
General Safety	4-5
Safety Requirements	5-6
Grounding Instructions.....	6
Location	6-7
Cabinet Leg Adjustment	7
Cleaning.....	7
Power Failure.....	7
Defrost.....	7
Vacation	7
Moving.....	7
Disposal.....	8
Attention.....	8
Save These Instructions	8
Introduction	9
List of Materials	10
Product Specifications	11-15
Product Summary	11
Types of Kegs	11
Keg Loading Configurations.....	11
Internal Capacity for Each Configuration	12
Parts Identification: Kegerator	13
Parts Identification: Tap Tower and D-Style Keg Coupler.....	14
Parts Identification: CO ₂ Tank and Regulator.....	14
Dimensions	15
Installation Instructions	16-31
Installation Clearance Requirements	16
Carbon Filter	17
Installing the Handle.....	17
Installing the Kegerator.....	18-21
Calibrating the Regulator	22
Double Tap Kit Installation - PRKFK-02SSC	23
Triple Tap Kit Installation - PRKFK-03SSC	24
Built-In Kit Installation.....	25-27
Reversing the Door Swing of Your Appliance	28-29
Installing the Glass Shelves.....	30
Installing the Optional Caster Wheel Accessory	31

Operating Your Appliance	32-25
Using the Control Panel	32
Internal Light	33
Door Open Alarm.....	33
Sabbath Mode.....	33
Demonstration Mode	34
Temperature Alarm	34
Defrosting.....	34
Child Safety Lock	35
Foot Lock Feature.....	35
Care and Maintenance.....	36-29
Normal Sounds	36
Cleaning the Unit	36
Cleaning Components Exposed to Beer.....	37
Cleaning the Condenser	38
Power Failure	39
Moving Your Kegeator.....	39
Energy Saving Tips	39
Extended Non-Use	40
Frequently Asked Questions	41-42
Troubleshooting.....	43-45
List of Parts and Accessories	46
Limited Warranty	47
Product Registration.....	48

Safety Information

READ AND SAVE THESE INSTRUCTIONS

Your safety and the safety of others are very important. We have provided many important safety messages in this manual for your appliance. Always read and obey all safety messages.



This is the Safety Alert Symbol. This symbol alerts you to potential hazards that can cause severe bodily injury or death. All safety messages will follow the Safety Alert Symbol and either the words “DANGER” “WARNING” or “CAUTION”

DANGER

Danger means that failure to heed this safety statement may result in severe injury or death.

WARNING

Warning means that failure to heed this safety statement may result in extensive product damage, serious personal injury, or death.

CAUTION

Caution means that failure to heed this safety statement may result in minor or moderate personal injury, property or equipment damage.

GENERAL SAFETY

DANGER

When using an electrical appliance, basic precautions should always be followed to reduce the risk of fire, electric shock, and injury to persons.

WARNING

To reduce the risk of fire, electric shock or personal injury, unplug or disconnect the appliance from the power supply before servicing.

- ▶ To protect against the risk of electric shock, NEVER IMMERSE the unit, cord, or plug in water or spray any other liquid.
- ▶ Unplug the appliance from the plug socket when not in use, when moving from one location to another and before cleaning.
- ▶ To disconnect the appliance, grip the plug and pull it from the wall outlet. Never pull by the cord.
- ▶ Never operate the appliance in the presence of explosive and/or flammable fumes.
- ▶ Never place the appliance or any of its parts near an open flame, cooking or other heating appliance.
- ▶ Never operate the appliance with a damaged cord or plug, if the product malfunctions, or if it is dropped or damaged in any manner.
- ▶ The use of attachments not recommended by the manufacturer may be hazardous.
- ▶ Never operate if the housing is removed or damaged.
- ▶ A loose fit between the AC outlet (receptacle) and plug may cause overheating and a distortion of the plug. Contact a qualified electrician to replace loose or worn outlet.
- ▶ Locate the unit away from direct sunlight and sources of heat (stove, heater, radiator, etc.).
- ▶ This appliance is CFC and HFC free and contains small quantities of Isobutane (R600a), an environmentally friendly coolant.
- ▶ You must ensure that the cooling circuit is undamaged when installing the appliance. However, if it becomes damaged, avoid proximity to open fires and heat sources of all kinds. The room in which the appliance is located should be ventilated properly and according to state and local codes.
- ▶ Never use an appliance with a damaged circuit.
- ▶ Ensure that the ventilation openings to and from a built-in appliance are never blocked or covered.
- ▶ No liability will be accepted for any damage caused by misuse of the appliance, or as a result of repairs carried out by unqualified person. In this case neither the warranty nor any other liability claims will apply.

READ AND SAVE THESE INSTRUCTIONS


 **WARNING** 

Prop. 65 Warning for California Residents: This product may contain chemicals known to the State of California to cause cancer, birth defects, or other reproductive harm.

- ▶ Do not use mechanical devices to defrost refrigerator.
- ▶ Ensure that servicing is done by factory authorized service personnel, to minimize product damage or safety issues.
- ▶ Consult repair manual or owner's guide before attempting to service this product. All safety precautions must be followed.
- ▶ Dispose of properly in accordance with federal or local regulations.
- ▶ Follow handling instructions carefully.
- ▶ If the SUPPLY CORD is damaged, it must be replaced by the manufacturer, its service agent or similarly qualified persons in order to avoid a hazard.

 **WARNING** 

Never operate any other electrical appliance inside this appliance.

 **WARNING** 



Keep ventilation openings, in the appliance enclosure or in the built-in structure, clear of obstruction.

- ▶ Never attempt to repair or replace any part of your appliance unless it is specifically recommended in this manual. All other servicing should be referred to a qualified technician.
- ▶ Replace all access panels before operating.
- ▶ Use two or more people to move and install the appliance. Failure to do so can result in back or other injury.
- ▶ Never clean appliance parts with flammable liquids. These fumes can create a fire hazard or explosion. Never store or use gasoline or other flammable vapors and liquids in the vicinity of this or any other appliance. The fumes can create a fire hazard or explosion.
- ▶ Never connect or disconnect the electric plug with wet hands.
- ▶ It is recommended that a separate circuit, serving only your appliance be provided. Use receptacles that cannot be turned off by a switch or pull chain.

 **WARNING** 

Do not use mechanical devices or other means to accelerate the defrosting process, other than those recommended by the manufacturer.

SAFETY REQUIREMENTS

 **DANGER** 

Risk of fire or explosion. Flammable refrigerant used. Do not puncture refrigerant tubing.

 **WARNING** 

Do not damage the refrigerant circuit.

 **WARNING** 

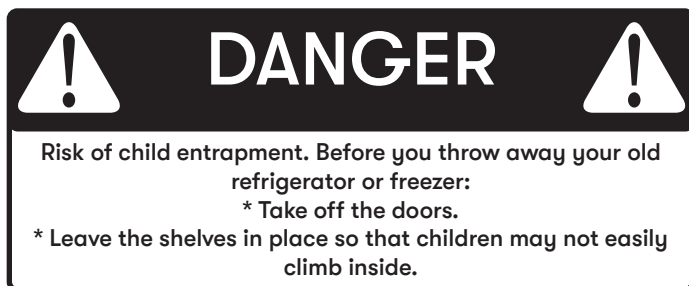
Do not use electrical appliances inside the food storage compartments of the appliance, unless they are of the type recommended by the manufacturer.

 **CAUTION** 

Children should be supervised to ensure that they do not play with the appliance.

Safety Information

READ AND SAVE THESE INSTRUCTIONS



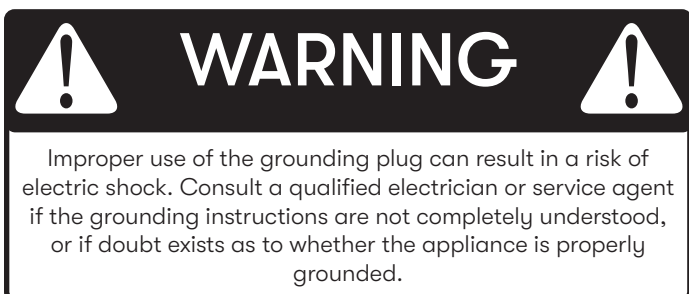
This appliance is not intended for use by persons (including children) whose physical, sensory or mental capabilities may be different or reduced, who lack experience or knowledge, unless such persons receive supervision or training to operate the appliance by a person responsible for their safety.

Do not store explosive substances such as aerosol cans with a flammable propellant in this appliance.

GROUNDING INSTRUCTIONS

This appliance must be grounded. Grounding reduces the risk of electrical shock by providing an escape wire for the electrical current.

This appliance has a cord that has a grounding wire with a 3-prong plug. The power cord must be plugged into an outlet that is properly grounded. If the outlet is a 2-prong wall outlet, it must be replaced with a properly grounded 3-prong wall outlet. The serial rating plate indicates the voltage and frequency the appliance is designed for.



The appliance should always be plugged into its own individual electrical outlet which has a voltage rating that matches the rating label on the appliance. This provides the best performance and also prevent overloading wiring circuits that could cause a fire hazard from overheating. Never unplug the appliance by pulling the power cord. Always grip the plug firmly and pull straight out from the receptacle. Repair or replace immediately all power cords that have become frayed or otherwise damaged. Never use a cord that shows cracks or abrasion damage along its length or at either end. When moving the appliance, be careful not to damage the power cord.

Do not connect your appliance to extension cords or together with another appliance in the same wall outlet. Do not splice the power cord. Do not under any circumstances cut or remove the third ground prong from the power cord. Do not use extension cords or ungrounded (two prongs) adapters.

If the power supply cord is damaged, it must be replaced by the manufacturer, its service agent or similar qualified person in order to avoid hazard.

Do not store explosive substances such as aerosol cans with a flammable propellant in this appliance.

This appliance is intended to be used in household and similar applications such as:

- ▶ Staff kitchen areas in shops, offices and other working environments;
- ▶ Farm houses and by clients in hotels, motels and other residential type environments;
- ▶ Bed and breakfast type environments;
- ▶ Catering and similar non-retail applications.

LOCATION

- ▶ The appliances are designed for either built-in, or free-standing installation.
- ▶ Two people should be used when moving the appliance.
- ▶ Remove interior and exterior packaging prior to installation. Wipe the outside of the appliance with a soft, dry cloth and the inside with a lukewarm wet cloth.
- ▶ Place the appliance on a floor that is strong enough to support it when it is fully loaded.
- ▶ Never place the unit in damp areas.
- ▶ Suitable for use in damp locations when installed in a GFCI-protected branch circuit. Intended for outdoor-covered patio or lanai area (For outdoor model only).
- ▶ Do not place the appliance in direct sunlight or near sources of heat, such as a stove or heater, as this can increase electrical consumption. Extreme cold ambient temperatures may also cause the appliance to perform improperly.
- ▶ The air vent at the front of the appliance must never be covered or blocked in any way.
- ▶ Do not use the appliance near water, for example in a wet basement or near a sink.
- ▶ The cooler may experience decreased cooling efficiency if air flow is restricted due to a fully loaded cabinet.
- ▶ This appliance is intended for household use only. It is not designed for outside installation, including anywhere that is not temperature controlled (garages, porches, vehicles, etc.).

READ AND SAVE THESE INSTRUCTIONS

- ▶ Before connecting the appliance to a power source, let it stand upright for approximately 6 hours. This will reduce the possibility of a malfunction in the cooling system from handling during transportation.
- ▶ The appliance shall not be exposed to rain (For indoor model only).
- ▶ Install outdoor kegerators in a well-ventilated area where the ambient temperature is above 50°F and below 109°F and above 50°F and below 90°F for indoor kegerators.
- ▶ Damages caused by ambient temperatures of 40°F or below are not covered by the warranty
- ▶ If cooler is to be exposed to ambient temperatures of 50°F or below for over 24 hours, the cooler should be unplugged to help prevent damages.

CABINET LEG ADJUSTMENT

There is an adjustable leg on the bottom of the appliance that can be turned up or down to ensure that the appliance is level. It is important that the appliance is level to minimize noise and vibration. To level the appliance:

1. Move the appliance to its final location.
2. Turn the leveling leg counter-clockwise as far as it will go, until the top of the foot is touching the bottom of the chassis.
3. Slowly turn the leveling leg clockwise until the appliance is level.

CLEANING

Ensure the appliance is unplugged before cleaning.

- ▶ To clean the inside of the appliance, use a soft cloth and a solution of a tablespoon of baking soda to one quart of water or a mild soap solution or some mild detergent.
- ▶ Wash removable shelves in a mild detergent solution, then dry and wipe with a soft cloth.
- ▶ Clean the outside with a soft, damp cloth and some mild detergent.
- ▶ It is important to keep the area clean where the door seals against the cabinet. Clean this area with a soapy cloth. Rinse with a damp cloth and let dry.

Note: Do not use cleaners containing ammonia or alcohol on the appliance. Ammonia or alcohol can damage the appearance of the appliance. Never use any commercial or abrasive cleaners or sharp objects on any part of the appliance.

POWER FAILURE

Most power failures are corrected within a few hours and should not affect the temperature of your appliance if you minimize the number of times the door is opened. If the power is going to be off for a longer period of time, take the proper steps to protect your contents.

Note: Wait 3 to 5 minutes before attempting to restart the appliance if operation has been interrupted.

DEFROST

This unit is equipped with an automatic defrost function and does not require manual defrosting. Defrost water from the appliance is channeled into a drip tray located above the compressor. Heat transfer from the compressor causes the defrost water to evaporate.

VACATION

- ▶ Short vacations: Leave the appliance operating during vacations of less than three weeks.
- ▶ Long vacations: If the appliance will not be used for several months, remove all items and turn off the appliance. Clean and dry the interior thoroughly. To prevent odor and mold growth, leave the door open slightly, blocking it open if necessary.

MOVING

- ▶ Make sure the appliance is empty.
- ▶ Secure the shelves with tape.
- ▶ Secure the door with tape.
- ▶ Turn the adjustable foot up to the base to avoid damage
- ▶ Protect the outside of the appliance with a blanket or similar item.
- ▶ Be sure the appliance stays in the upright position during transportation.
- ▶ If the appliance is placed on its back or side during transportation, upon reaching the destination, allow it to remain upright for 6 hours before plugging in to avoid damage to internal components.

Safety Information

READ AND SAVE THESE INSTRUCTIONS

DISPOSAL

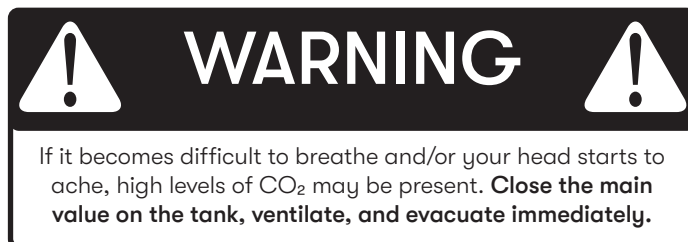
This appliance may not be treated as regular household waste, it should be taken to the appropriate waste collection point for recycling of electrical components. For information on local waste collection points, contact your local waste removal agency or government office.

Risk Of Fire Or Explosion. Dispose Of Properly In Accordance With The Applicable Federal Or Local Regulations. FLAMMABLE REFRIGERANT Used.

- ▶ The coolant circuit, particularly the heat exchange at the back/bottom of the unit, must not be damaged.
- ▶ The symbol on the product or its packaging indicates that this product is not to be handled as normal household waste but is to be taken to a recycling collection point for electrical and electronic goods. By correctly disposing of this product you are contributing to the protection of the environment. Improper disposal endangers health and the environment. Further information about the recycling of the product may be obtained from your town hall or local waste collection department.

ATTENTION

- ▶ CO₂ can be dangerous. Handle with care.
- ▶ Always check the Department of Transportation test date on the tank neck prior to installation. If it has been more than 5 years, return the CO₂ tank to your supplier.
- ▶ Always connect the CO₂ tank to a regulator. Never connect it directly to the keg.
- ▶ Always keep the CO₂ tank in an upright position.
- ▶ Always keep CO₂ tanks away from heat, and store extra CO₂ tanks in cool locations (preferably under 70°F).
- ▶ Always ventilate the area after any leakage of CO₂.
- ▶ Never overload the cabinet.
- ▶ Never open the door unless necessary.
- ▶ Never cover shelves with aluminum foil or any other shelf material which may prevent air circulation.
- ▶ Should the appliance be left empty for long periods, it is suggested that the appliance be unplugged, and, after careful cleaning, leave the door ajar to allow air to circulate inside the cabinet in order to avoid possible condensation, mold or odors from forming.



SAVE THESE INSTRUCTIONS

If you are experiencing problems, check the Troubleshooting Guide at the back of this manual. It lists causes of minor operating problems that you can correct yourself.

Thank you for purchasing your Zephyr product. Zephyr is dedicated to developing products that will enhance your lifestyle with superior quality and distinctive features. Please visit www.zephyronline.com for more information on your product and other Zephyr products.

This manual contains important information regarding the proper installation, use, and maintenance of your kegerator. Following this manual will ensure that your product will work at its peak performance and efficiency.

For Your Records

Please write down the model number and serial number below for future reference. Both numbers are located on the rating label on the back of your unit and inside the the unit towards the bottom of the cabinet and are needed to obtain warranty service. You may also want to staple your receipt to this manual as it is the proof of your purchase and may also be needed for service under warranty.

Model Number:

Serial Number:

Date of Purchase:

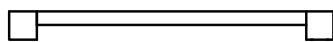
To better serve you, please do the following before contacting customer service:

If you received a damaged product, immediately contact the retailer or dealer that sold you the product.

- ▶ Read and follow this instruction manual carefully to help you install, use and maintain your kegerator.
- ▶ Read the troubleshooting section of this manual as it will help you diagnose and solve common issues.
- ▶ Visit us on the web at <http://www.zephyronline.com> to download product guides, additional troubleshooting resources and up-to-date information.
- ▶ If you need warranty service, our friendly customer service representatives are available on our website at <http://zephyronline.com/contact> or by telephone at **888-880-8368**.

List of Materials

Kegeerator Materials



(1) Pro style door handle



(2) Door handle screws (M4*40)
(pre-installed)



(2) Flat washers ($\Phi 4.3 * \Phi 8 * 0.5$, M4)
(pre-installed)



(3) Door hinge bracket
screws (M4*12)



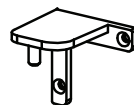
(2) Self-tapping screws
for left door stopper (ST3*16)



(3) Decorative nails



(5) Clear rubber pads for drip tray



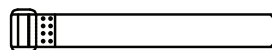
(1) Reversible door
hinge bracket



(1) Left door stopper



(2) Keys



(1) Velcro strap for CO₂ tank



(1) Drip tray

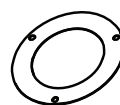


(1) 3mm Allen key (hex key) for
drink guardrail accessory

Built-in Installation Kit Materials



(1) Adjustable insulation tube



(1) Insulation tube gasket



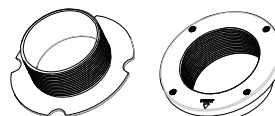
(3) Insulation tube
gasket screws (ST4*12)



(4) Threaded countertop flange
screws for tap tower (M5*8)



(1) Wrench



(1) Threaded countertop flange

NOTE: A detailed list of materials will be provided per accessory or kit.

NOTE: A Zephyr tap kit is required to complete installation, sold separately.

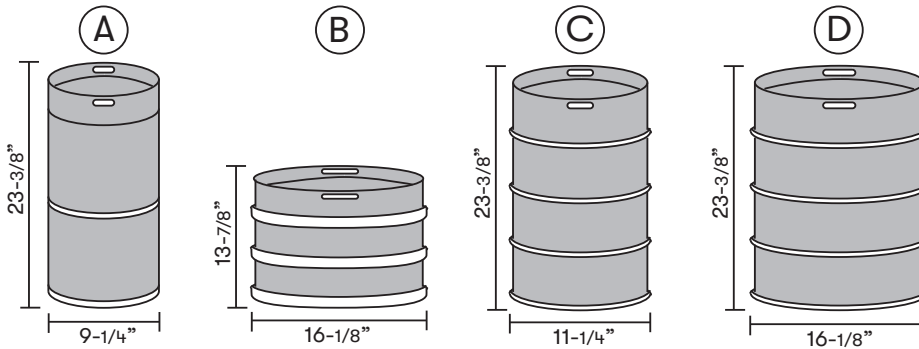
Product Summary

This appliance requires a standard 115/120 Volt AC~60Hz electrical ground outlet.

DESCRIPTION OF PRODUCT	Presrv Kegerator and Beverage Cooler
MODEL	PRKB24C01AG & PRKB24C01AS-OD
VOLTAGE/FREQUENCY	AC 115V/60Hz
AMPERAGE	1.5A
COLOR	Stainless Steel
STORAGE CAPACITY*	6 cu ft.
REFRIGERANT	R600a
TEMPERATURE RANGE	32°F - 65°F
DIMENSIONS (HxWxD)	23-7/8" X 33-7/8" X 23-1/2"
GROSS WEIGHT (lb)	110lb (outdoor), 123lb (indoor)
WEIGHT CAPACITY - GLASS SHELF (lb)	26.45lb

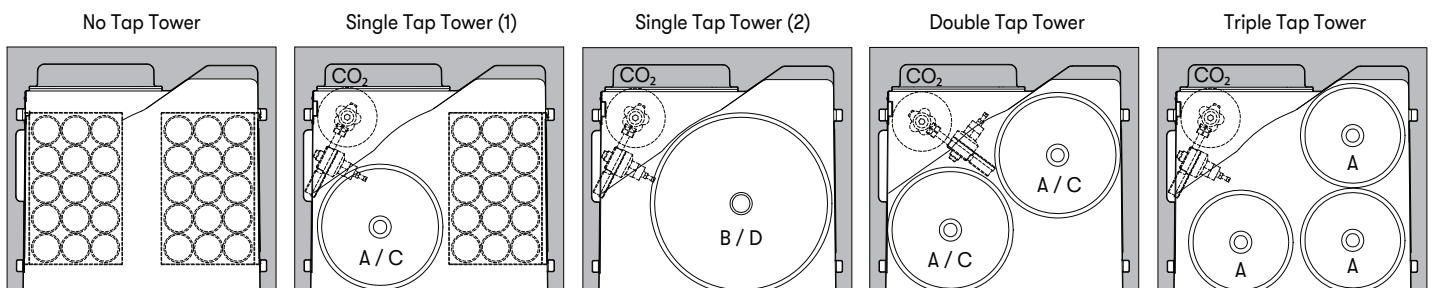
*See page 12 for capacity configurations

Types of Kegs



Name	Sixth Barrel	Quarter Barrel	Slim Quarter	Half Barrel
Capacity	5.23 gal.	7.75 gal.	7.75 gal.	15.5 gal.
12 oz. Servings	55	82	82	165

Keg Loading Configurations



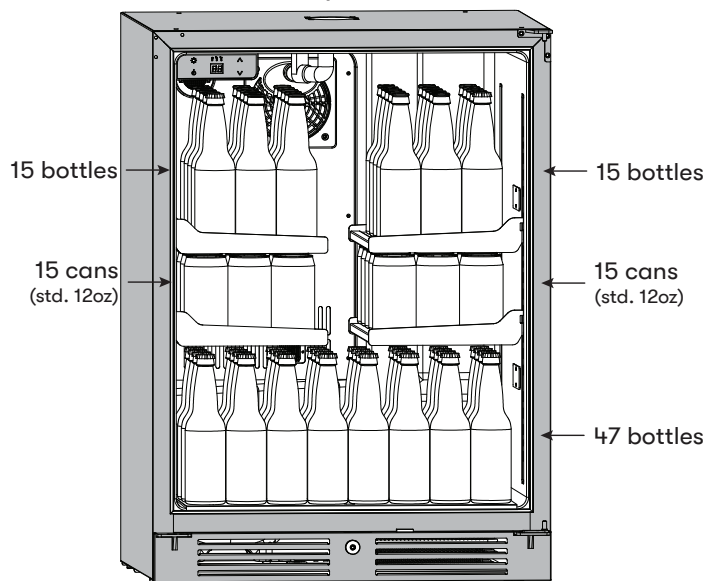
Product Specifications

KEGERATOR &
BEVERAGE COOLER

INDOOR & OUTDOOR

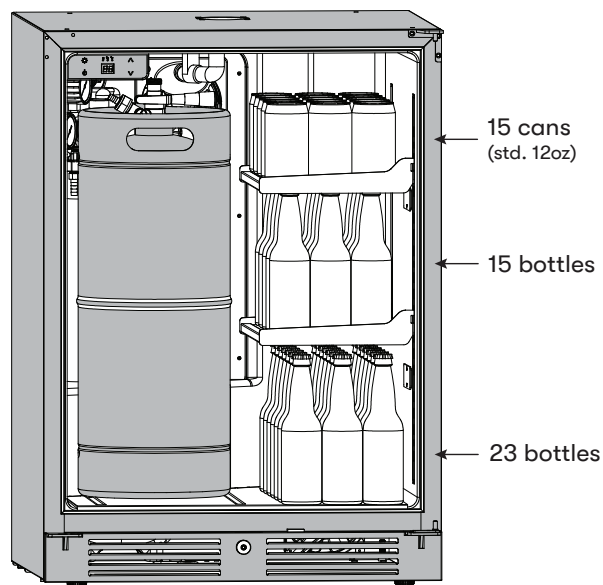
Internal Capacity for Each Configuration

No Tap Tower



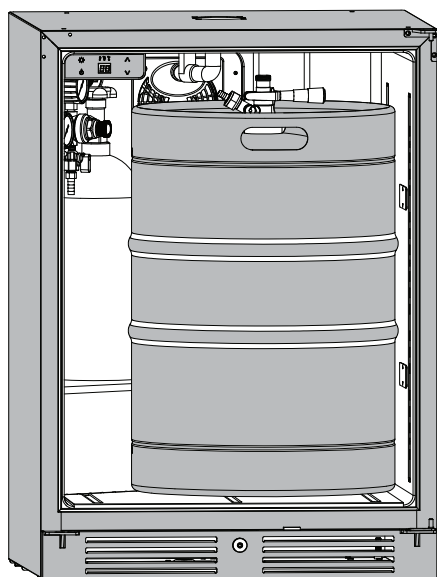
77 beer bottles + 30 can capacity

Single Tap Tower (1)



(1) sixth barrel or (1) slim quarter
+ 38 beer bottles + 15 can capacity

Single Tap Tower (2)



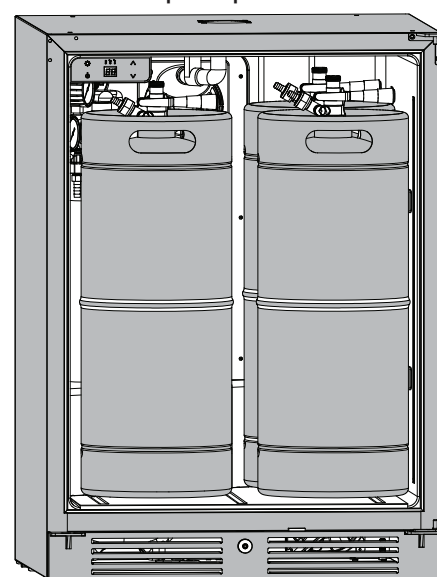
(1) quarter barrel or (1) half barrel

Double Tap Tower



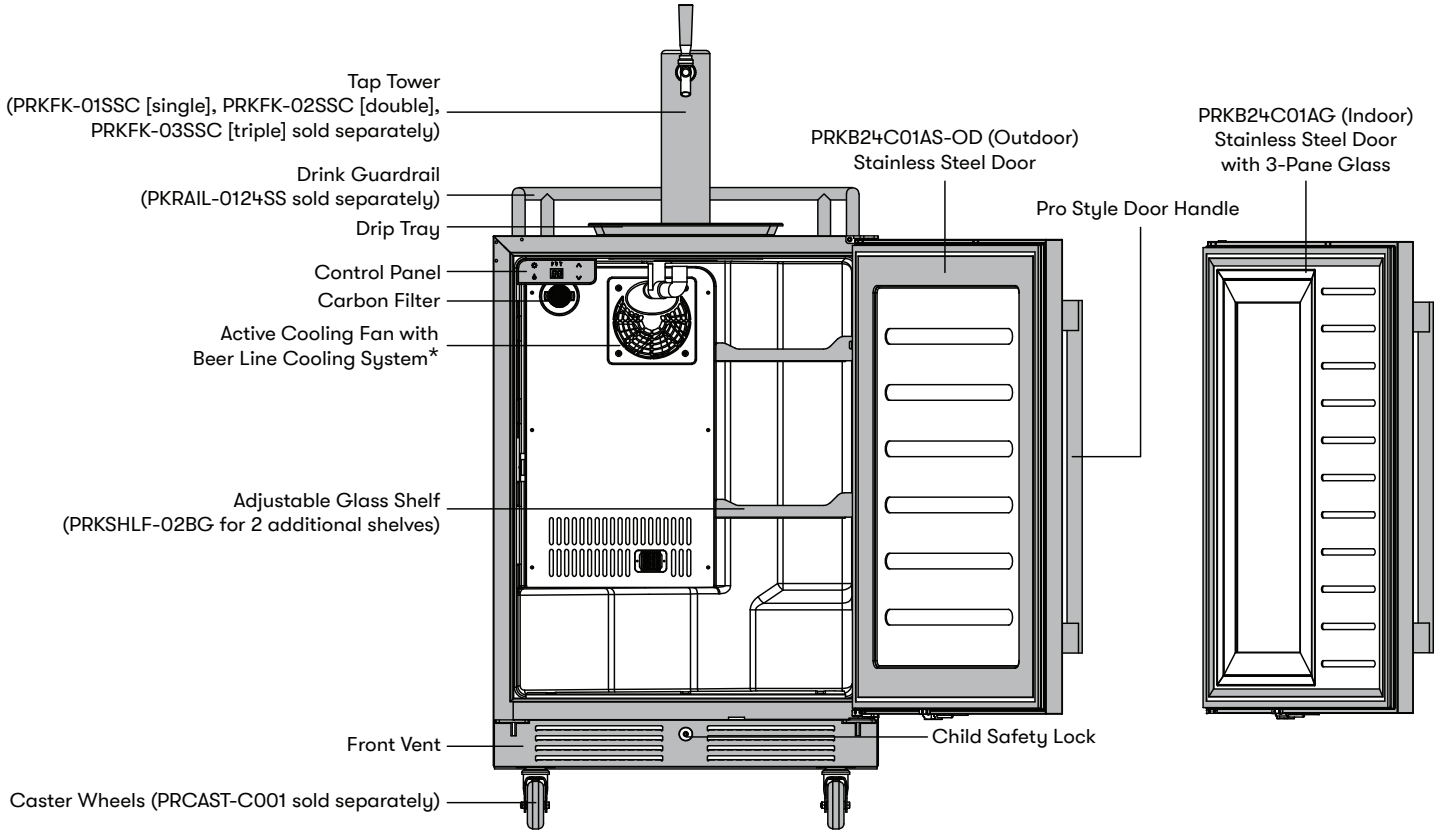
(2) sixth barrels or (2) slim quarters
or (1) sixth barrel + (1) slim quarter

Triple Tap Tower



(3) sixth barrels

Parts Identification: Kegerator



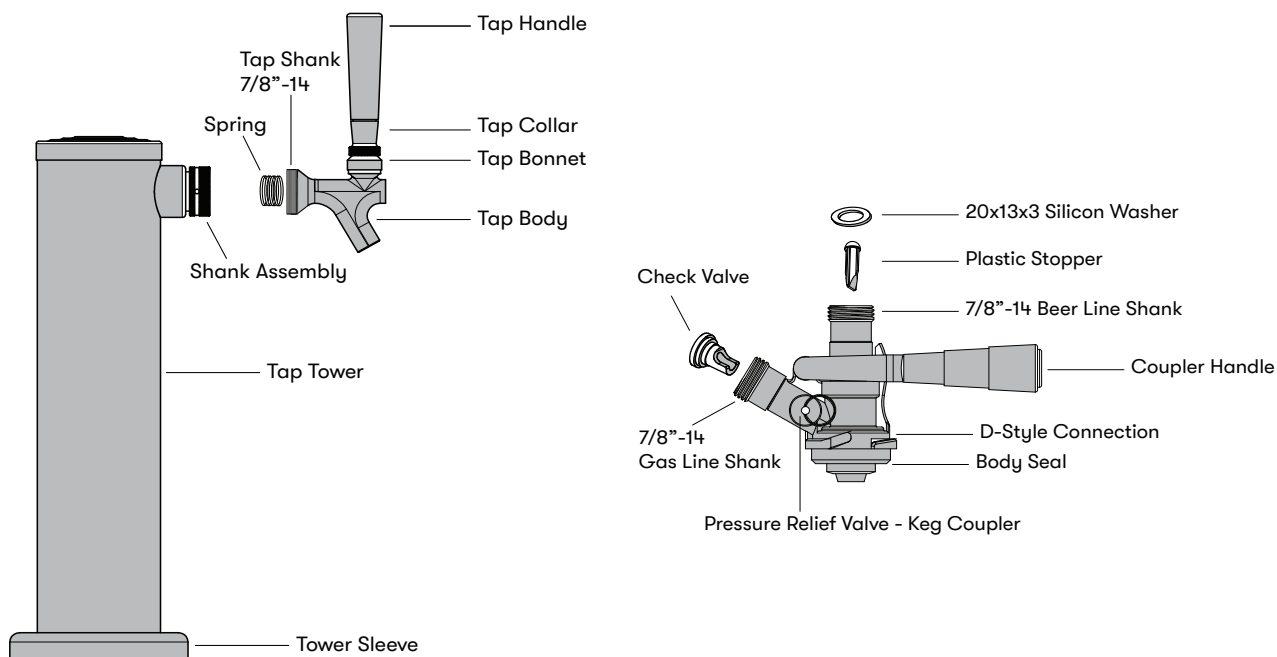
*Active cooling fan with beer line cooling system aids with keeping the beer lines cool and minimizing foam as it directs some of the air upwards into the faucet tower.

Product Specifications

KEGERATOR &
BEVERAGE COOLER

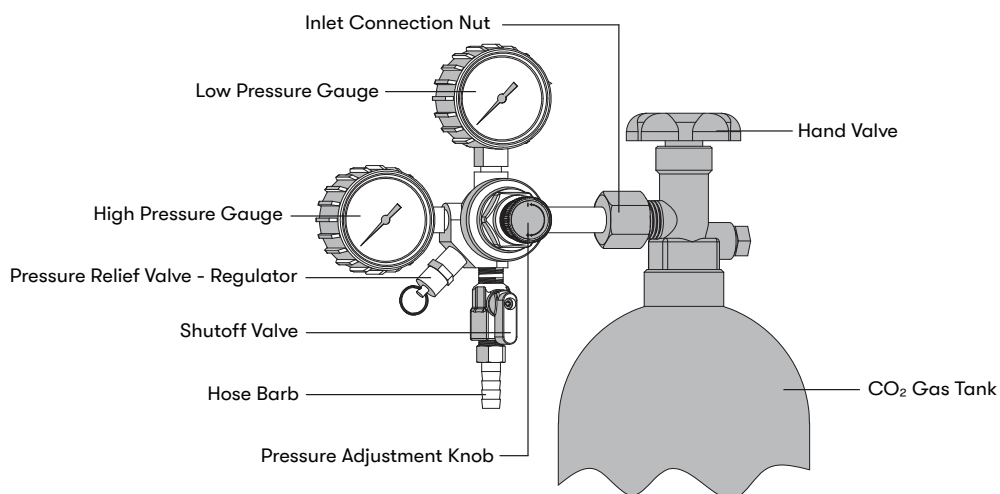
INDOOR & OUTDOOR

Parts Identification: Tap Tower and D-Style Keg Coupler



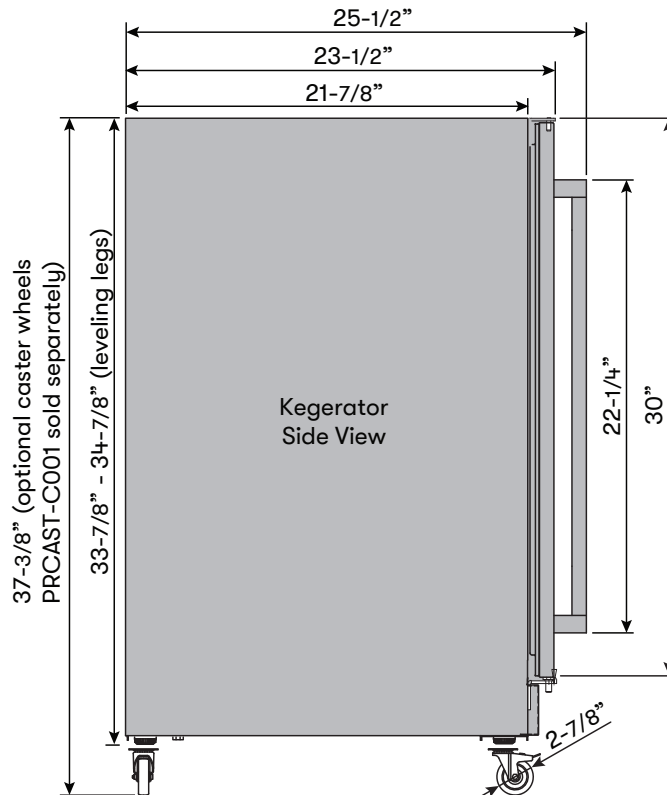
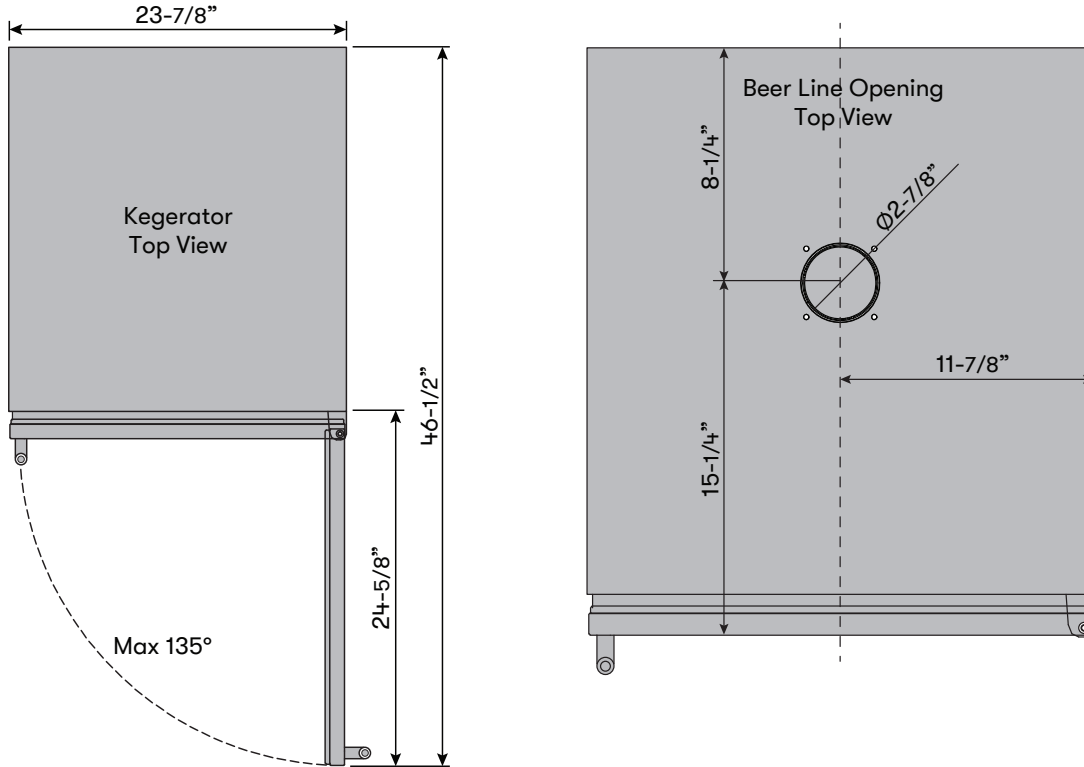
NOTE: The tap tower and D-style keg coupler are components from the tap kits, sold separately. There will be number of openings for the tap tower depending on whether a single, double, or triple tap kit was purchased. The provided quantity of tap bodies and tap handles will align with the number of openings on the tap tower.

Parts Identification: CO₂ Tank and Regulator



NOTE: The CO₂ tank and regulator are components from the tap kits, sold separately. The pressure relief valve will be located between the high and low pressure gauges for double and triple regulators. There will be two shutoff valves and hose barbs for double regulators and three shutoff valves and hose barbs for triple regulators.

Dimensions

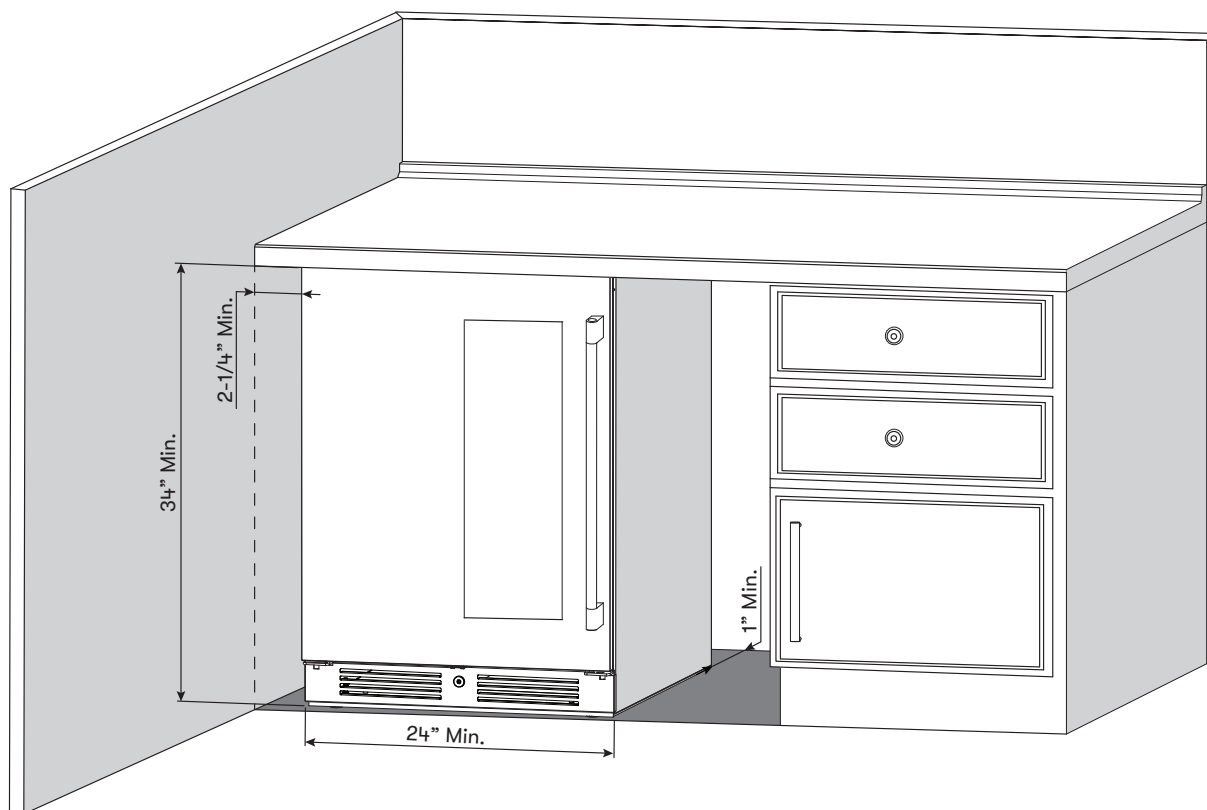


Installation Instructions

Installation Clearance Requirements

When installing the kegerator under a counter, follow the recommended spacing dimensions shown.

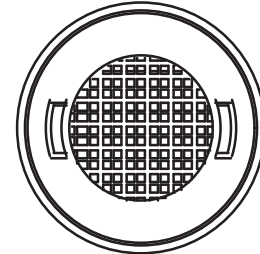
- ▶ For proper clearance of the electrical plug, allow at least 1" of clearance at the back as shown in the diagram.
- ▶ An installation next to a wall will require a minimum 2-1/4" door clearance to accommodate the Zephyr handle.
- ▶ The cabinet should allow at least 24" for the width and 34" for the height to accommodate the kegerator.
- ▶ The power cable is located on the back right of the unit and has a length of 78-11/16" to accommodate multiple outlet locations.
- ▶ Once you are ready to install the unit, you must adjust the feet to level the kegerator.
- ▶ This unit can be fully built-in to cabinetry and does not require any additional clearances besides what is referenced below.
- ▶ The installation should allow the unit to be pulled forward for servicing, if necessary.
- ▶ Install the included Zephyr Kegerator built-in kit by following the instructions on page 25.



Carbon Filter

A built-in carbon filter protects your beverages by acting as a natural barrier against harmful odors. The carbon filter should be replaced every 3-6 months depending on the unit's exposure level to odor. If the unit is placed in a kitchen, regular replacement every three months is ideal.

Remove the carbon filter by turning counterclockwise to unlock from rear panel.

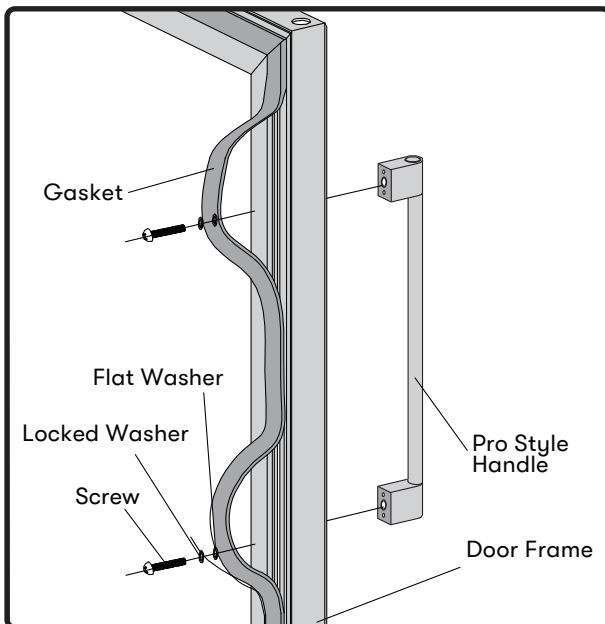


Carbon Filter Replacement Part #: Z0F-C004

Installing the Handle

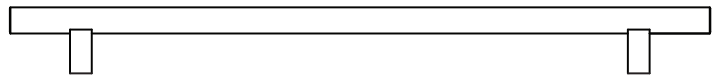
If contemporary handles are desired, refer below for the part number.

1. Push aside the door gasket on the side you wish to install the handle. Under the gasket you will see two designated holes for handle installation and pre-installed screws.
2. Install the handle tightly as shown with two screws. Lock washers and flat washers are pre-installed.



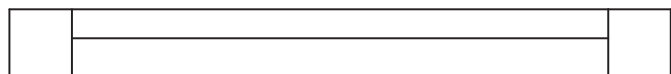
Zephyr Presrv Contemporary Handles

Part #: PRHAN-C101	Color: Stainless Steel
Part #: PRHAN-C102	Color: Brushed Gold
Part #: PRHAN-C104	Color: Matte Black



Zephyr Presrv Pro Handle

Part #: PRHAN-C001	Color: Stainless Steel (included)
--------------------	-----------------------------------



Installation Instructions

Installing the Kegerator

The Zephyr Kegerator & Beverage Cooler can be set up for multiple configurations. To convert the unit to a full beverage cooler, purchase the accessory, PRKSHLF-02BG, and see page 30 for more information. If you plan on using the kegerator for perishable foods, the temperature should be set to 40°F (4.5°C) or lower.

If you intend to use the kegerator to dispense beer, purchase the appropriate single, double, or triple tap kit for your desired configuration. The Zephyr tap kit will include everything needed to get started, including the tap tower, tap(s), beer line(s), gas line(s), D-style keg coupler(s), regulator, and CO₂ tank.

NOTE: The CO₂ tank will arrive empty and needs to be filled with CO₂ gas. Contact your local welding supply, sporting goods, or home brew shop for assistance.

For built-in installation instructions, skip to page 25.

The illustration below (FIG. A) shows the installation of a freestanding kegerator with a single tap kit (PRKFK-01SSC). Illustrations for double and triple tap kits are available on pages 23 and 24. A detailed list of materials is included with each tap kit.

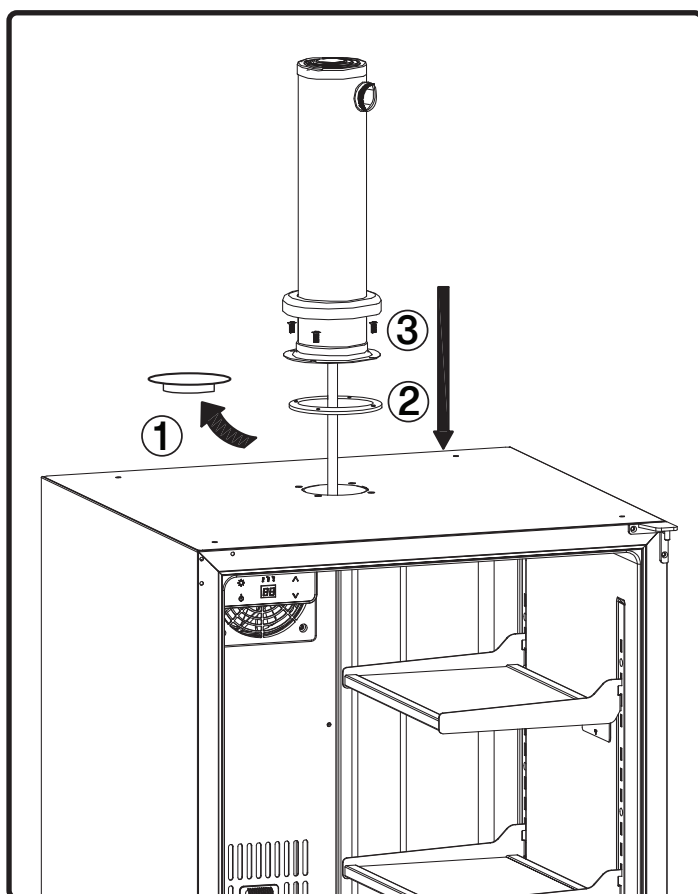


FIG. A

1. Remove all shelving and packaged components from the interior of the kegerator before proceeding. The kegerator can be plugged in, but ensure it is powered off before proceeding.
 2. Remove the black plastic insulation cap from the top of the kegerator (FIG. A1).
- NOTE:** If you are setting up the kegerator as a full beverage cooler, leave the insulation cap installed.
3. Place the black rubber gasket, included with the tap kit, on top of the kegerator and align the gasket with the screw holes (FIG. A2).
 4. Guide the beer line through the opening on top of the kegerator. Secure the tap tower to the kegerator using the included (4) M5 x 16 screws (FIG. A3).

NOTE: If you are installing a double or triple tap, apply the included “Left Tap Label” and “Right Tap Label” stickers to the relevant beer lines before mounting the tower.

Installing the Kegerator

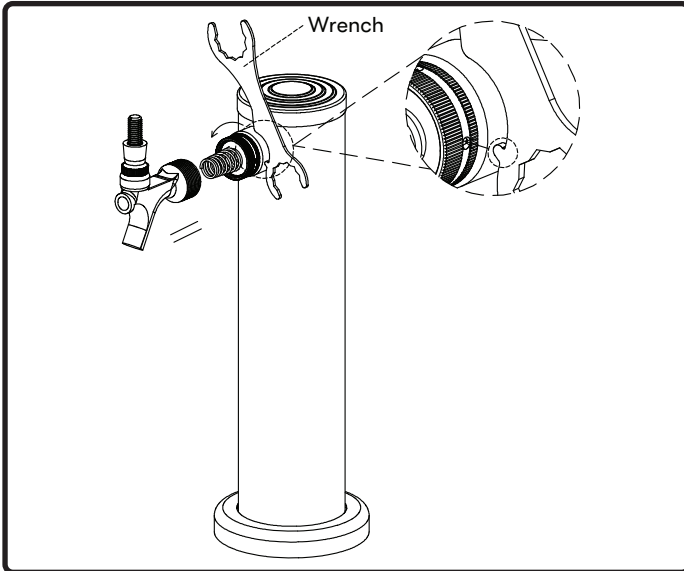


FIG. B

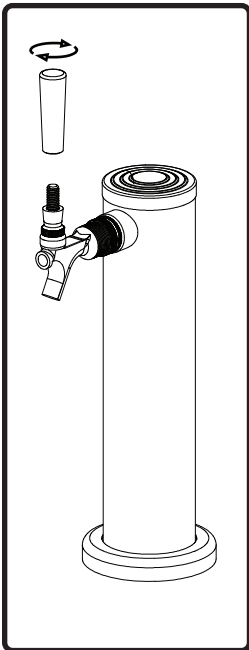


FIG. C

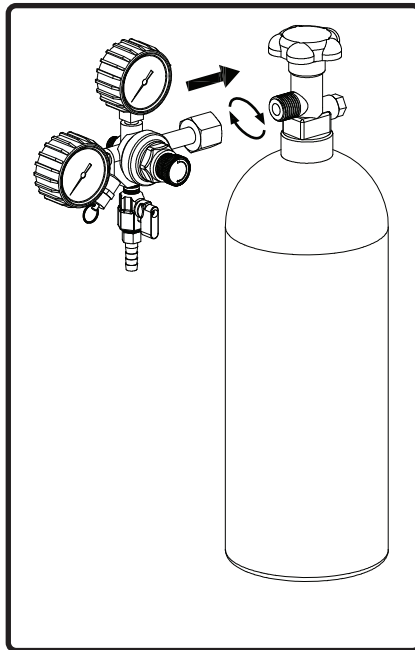


FIG. D

5. Attach the tap to the tap tower as shown in FIG. B. Make sure the tap is aligned properly and turn the nut counterclockwise by hand. Fully tighten using the included wrench.

6. Screw the tap handle onto the tap shown in FIG. C.

NOTE: Tap handles are use a standard 3/8"-16 UNC thread to accommodate aftermarket tap handles.

7. Ensure the hand valve on the CO₂ tank is closed. Attach the regulator to the filled CO₂ tank and hand tighten the inlet connection nut (FIG. D). Use a wrench for an additional quarter turn, making sure to not overtighten the nut.

8. Attach the gas line to the hose barb on the regulator shown in FIG. E. Secure using the included metal clamp and tighten using a flathead screwdriver.

9. Connect the keg coupler to the beer keg, but first make sure the handle of the keg coupler is disengaged in the diagonal/upper position. Refer to FIG. F for clarification. Insert the keg coupler into the beer keg and turn 25° clockwise to lock into place. Do not engage the handle yet.

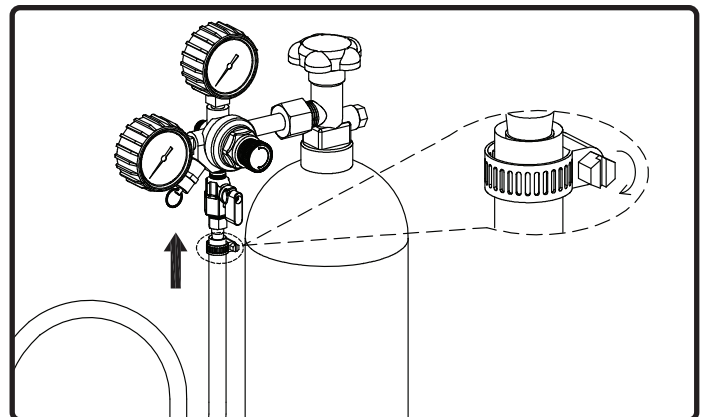


FIG. E

Installation Instructions

KEGERATOR &
BEVERAGE COOLER

INDOOR & OUTDOOR

Installing the Kegerator

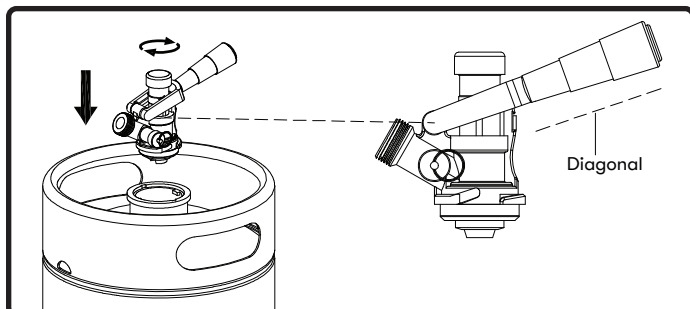


FIG. F

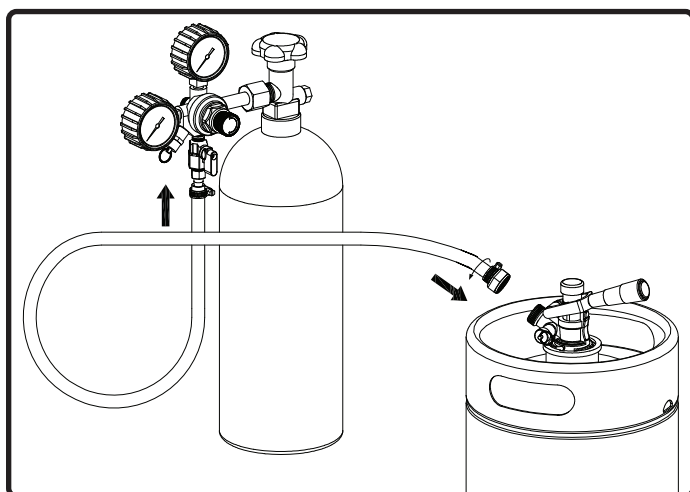


FIG. G

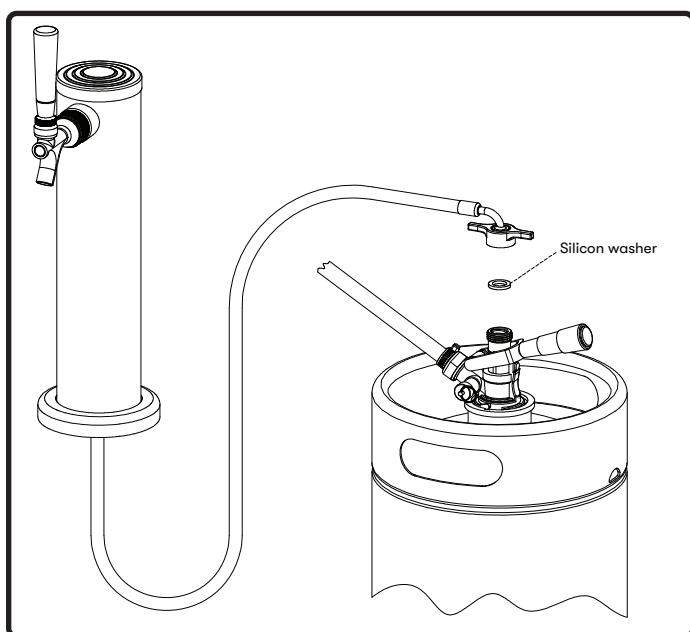


FIG. H

10. Attach the opposite end of the gas line with the pre-installed threaded nut to the keg coupler (FIG. G). Tighten using the included wrench.

NOTE: Make sure the clear silicon check valve is inside the keg coupler before attaching the gas line. See page 14 for reference.

11. Place a silicon washer on top of the keg coupler and connect the threaded nut from the beer line to the coupler (FIG. H). Tighten using the included wrench.

12. Tap the keg by pulling the keg coupler handle outwards - away from the keg coupler and pushing it down to lock it into position (FIG. I). Listen for the “click” of the pull handle when it shifts into the final downward position and your keg will be tapped.

NOTE: The keg needs to be tapped to fit in the kegerator, otherwise the keg coupler handle will be too high and will prevent the keg from fitting.

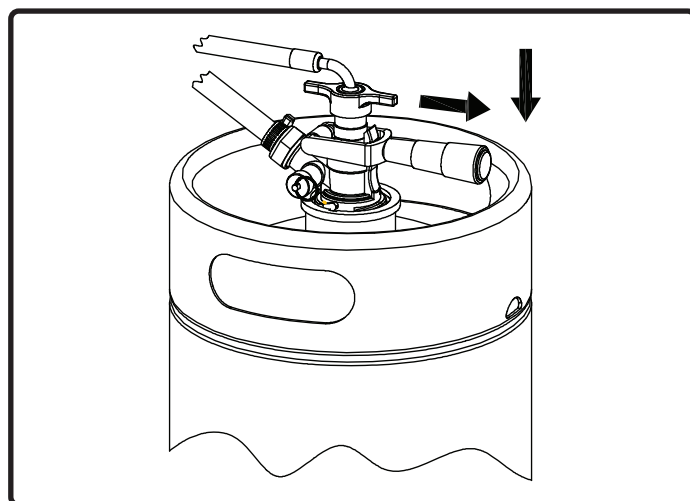


FIG. I

Installing the Kegerator

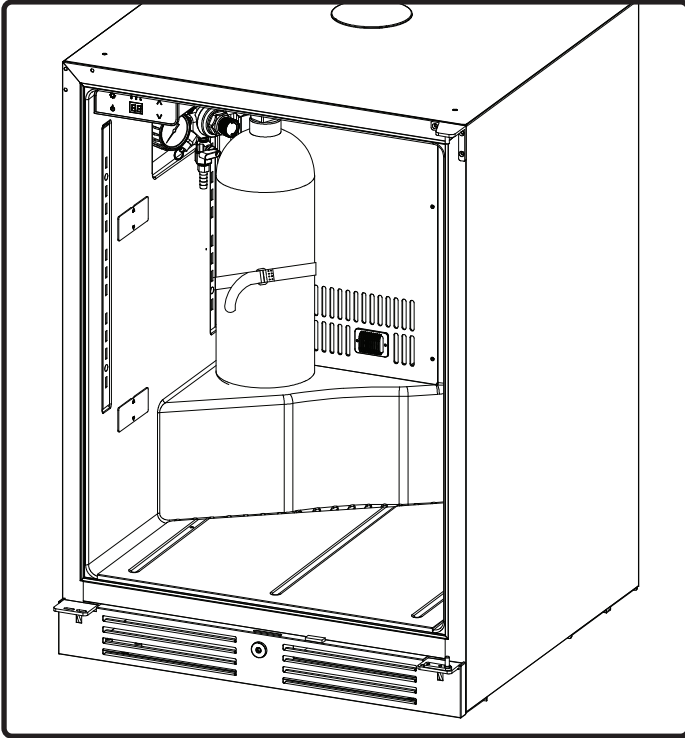


FIG. J

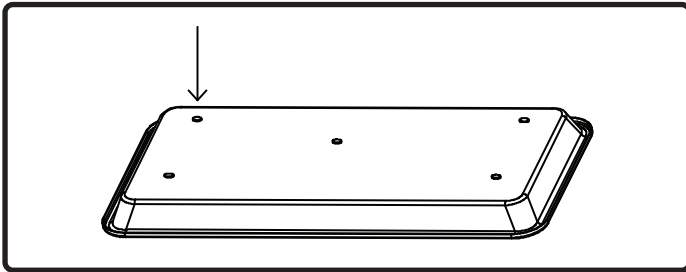


FIG. K

13. Calibrate the regulator. Refer to page 22 for detailed instructions.
14. Place the CO₂ tank upright inside the left corner of the kegerator and secure using the Velcro strap shown in FIG. J.
15. Place the beer keg inside the kegerator.
16. Power on the kegerator and set to the desired temperature. We recommend waiting at least 24 hours before dispensing beer to allow the keg to get to temperature and settle.
17. Attach (5) clear rubber pads underneath the drip tray and place drip tray in front of the tap tower under the tap (FIG. K).
18. Enjoy your beer!

TIP: While the beer line cooling system will help keep the beer lines cool and minimize foam, it is important to fully pull on the tap handle when pouring your beer. Not fully pulling the tap handle will result in excess foam.

Installation Instructions

KEGERATOR &
BEVERAGE COOLER

INDOOR & OUTDOOR

Calibrating the Regulator

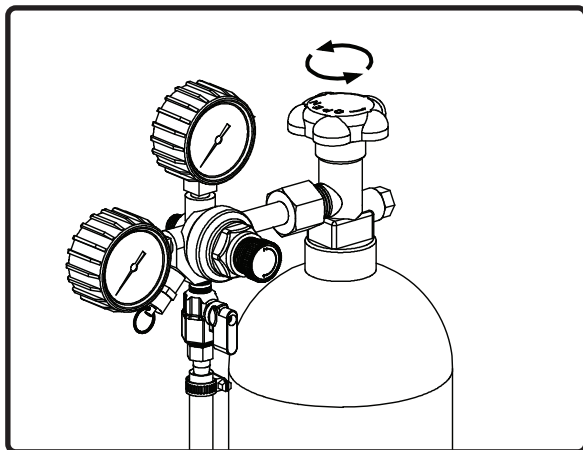


FIG. L

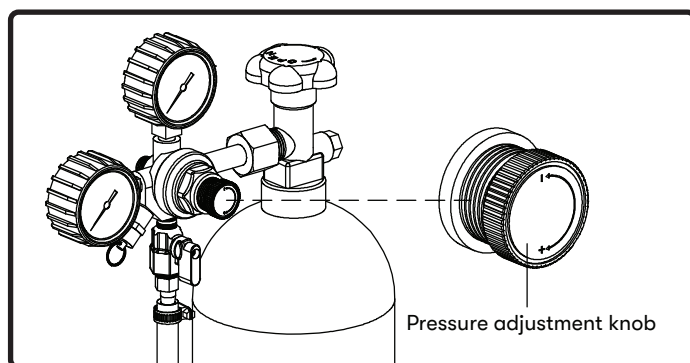


FIG. M

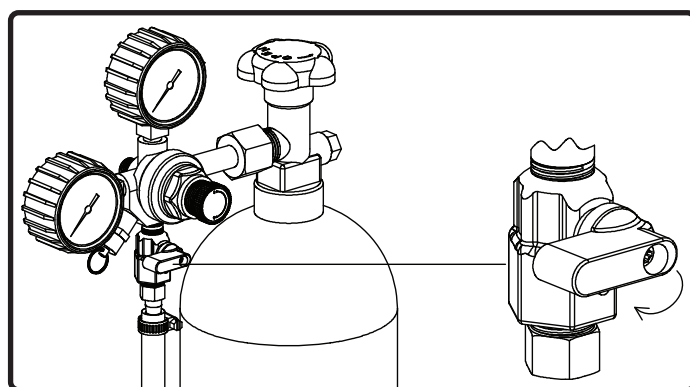


FIG. N

1. With the shutoff valve on the regulator turned off (perpendicular to the tubing), completely open the hand valve on the CO₂ tank (FIG. L).
2. Turn the pressure adjustment knob until the desired pressure is shown on the low pressure gauge (FIG. M). We recommend setting the regulator between 10-12 PSI to start and adjust later as needed. Turn the knob clockwise to increase pressure and counterclockwise to decrease pressure.

NOTE: Other conditions such as altitude or beer type may require additional adjustments.

3. Open the shutoff valve on the regulator so it is parallel with the tubing (FIG. N).
4. The keg coupler is designed with a pressure relief valve (PRV) as shown in FIG. O. Briefly pull the ring on the PRV to allow CO₂ gas to vent. This will permit CO₂ gas to flow through the regulator and help obtain a more accurate reading on the low pressure gauge.

NOTE: We recommend following up on any adjustment to the regulator with a brief pull of the PRV ring to ensure an accurate output reading. Check for leaks.

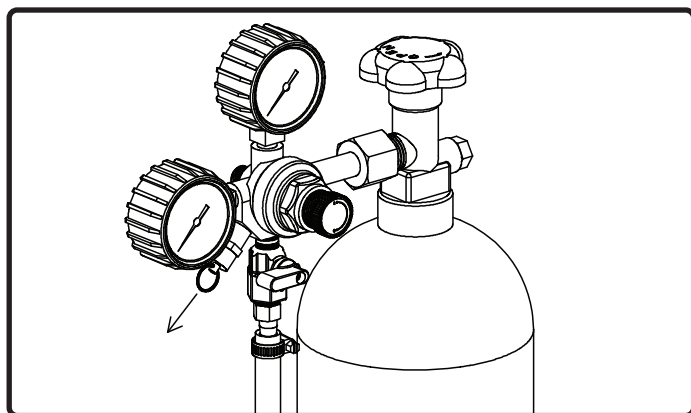
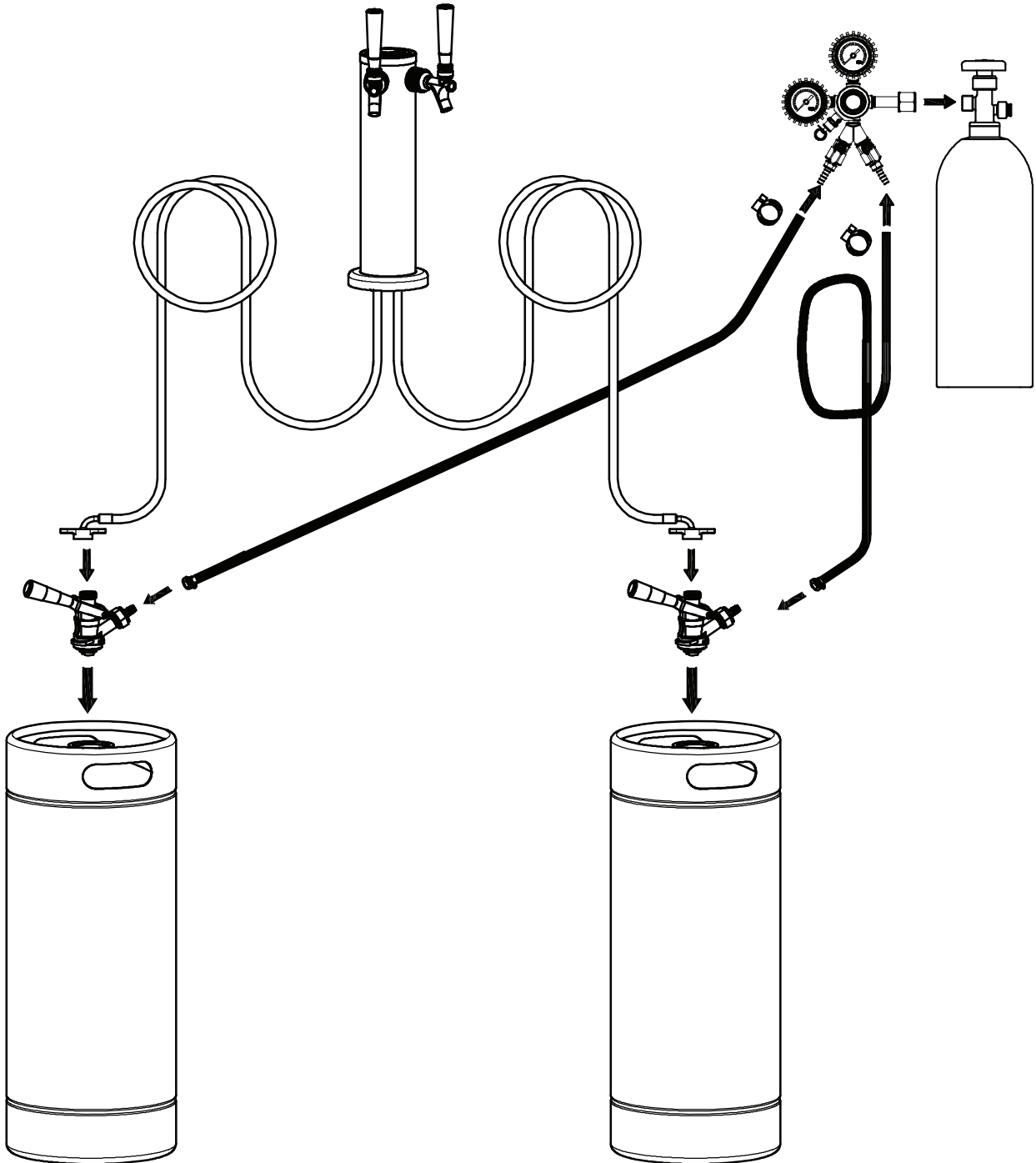


FIG. O

Double Tap Kit Installation - PRKFK-02SSC



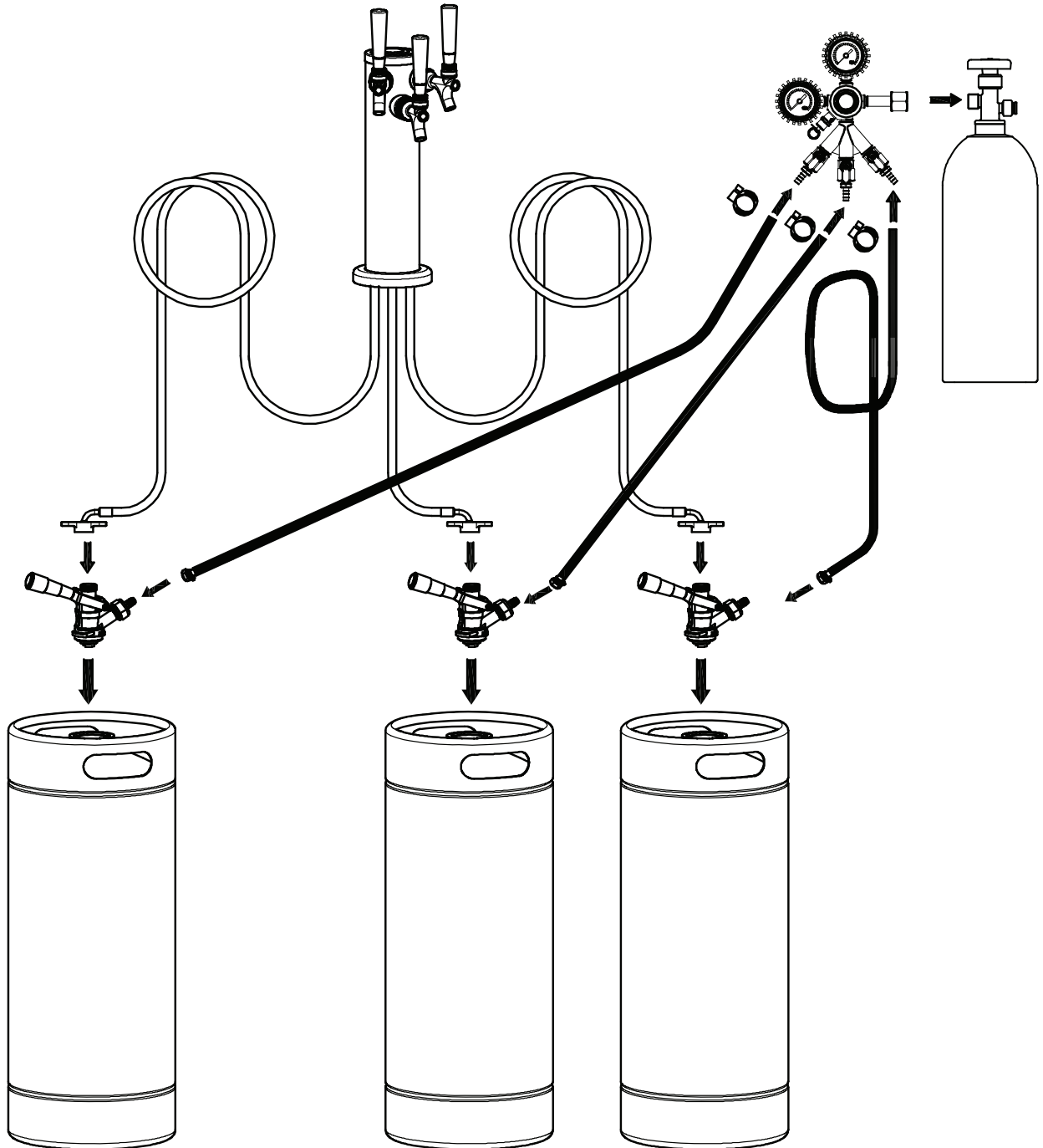
NOTE: The space required for double tower installation will prevent installation of glass shelving.

Installation Instructions

KEGERATOR &
BEVERAGE COOLER

INDOOR & OUTDOOR

Triple Tap Kit Installation - PRKFK-03SSC



NOTE: The space required for triple tower installation will prevent installation of glass shelving.

Built-In Kit Installation

Follow the instructions below to install the kegerator under a countertop. Remove all shelving and packaged components from the interior of the kegerator before proceeding.

NOTE: If you are using the kegerator as a full beverage cooler without a tap kit, it will not be necessary to cut holes in the countertop or use the Zephyr Kegerator built-in kit. You can skip the built-in instructions below and simply slide the kegerator under the countertop.

If you plan to use the kegerator with a tap kit to dispense beer, follow the instructions below to install the kegerator using the built-in kit.

NOTE: The built-in kit is designed to accommodate a total countertop thickness between 1-1/4" and 2-1/4".

1. Drill a 3" diameter hole in the countertop. Refer to Beer Line Opening Top View on page 14 for detailed dimensions. Install the threaded countertop flange to the countertop, making sure the direction of the arrow points outward from the countertop (FIG. L). Secure using the included wrench from underneath the countertop.

NOTE: It is recommended to seek a professional to help cut the hole because different countertop materials will require different drill bits.

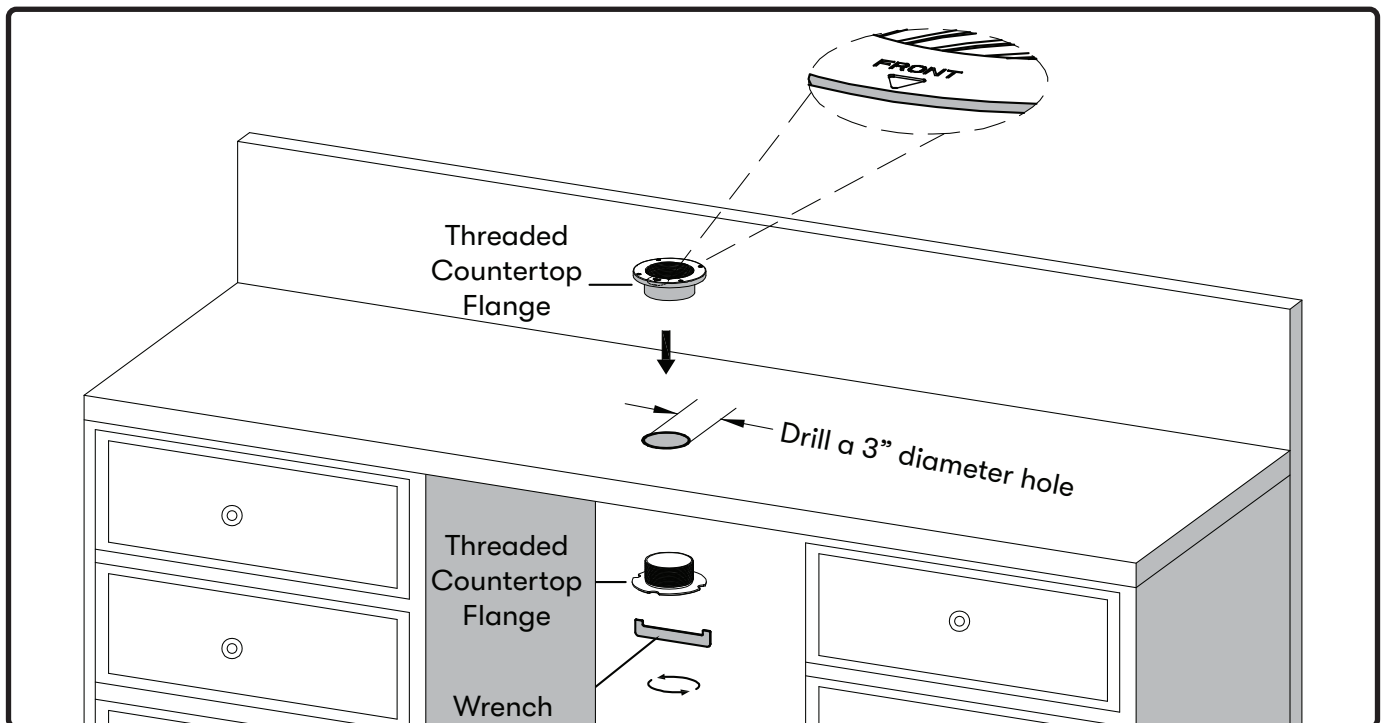


FIG. L

Installation Instructions

KEGERATOR &
BEVERAGE COOLER

INDOOR & OUTDOOR

Built-In Kit Installation

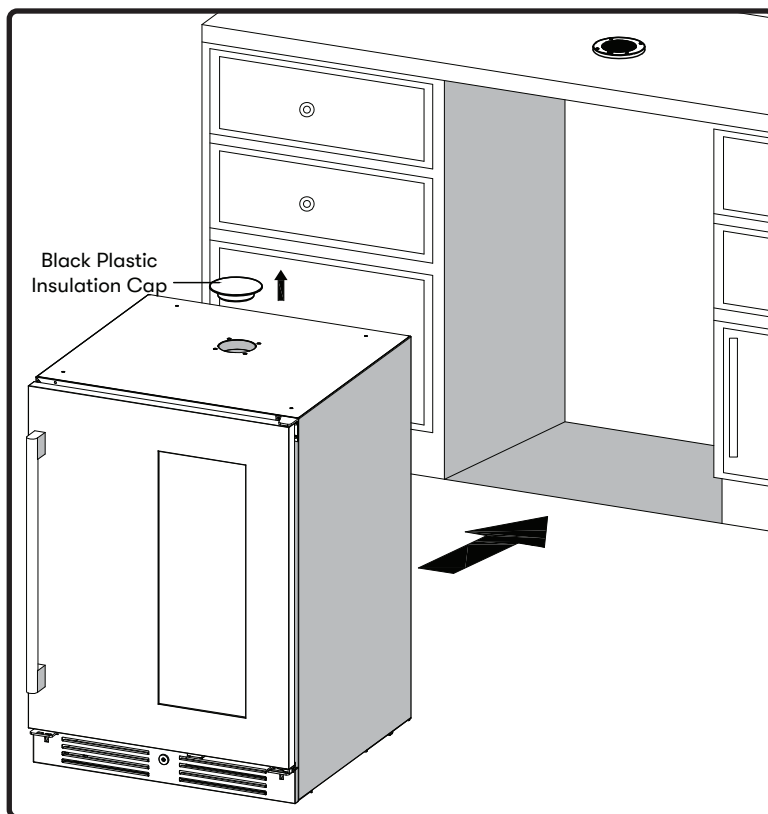


FIG. M

2. Remove the black plastic insulation cap from the kegerator and slide the kegerator under the countertop and plug it in (FIG. M). Do not power on the kegerator yet.
3. Remove the air conduit from the beer line cooling system inside the kegerator by removing (2) screws (FIG. N).
4. Install the adjustable insulation tube through the top of the countertop and into the kegerator. Use the insulation tube gasket to secure the insulation tube to the ceiling of the kegerator using the included (3) ST*12 screws shown in FIG. O.

NOTE: If you are using the built-in kit, there is no need to install the black rubber flange included with the tap kit. The rubber flange that is part of the adjustable insulation tube is sufficient to create a seal.

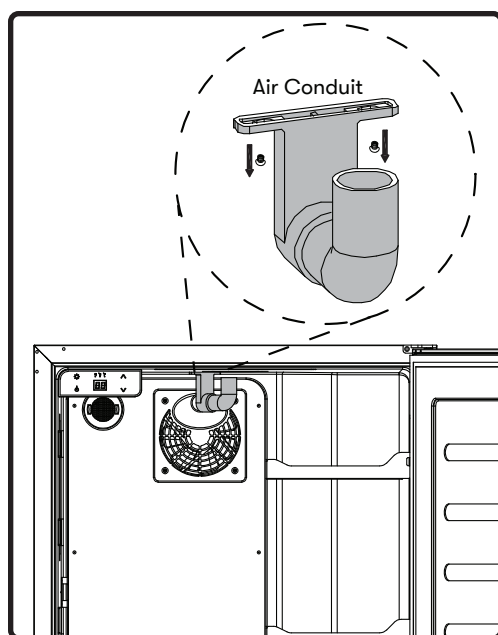


FIG. N

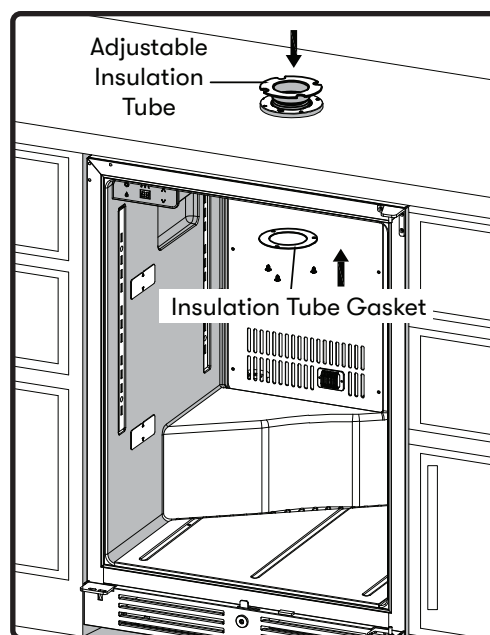


FIG. O

Built-In Kit Installation

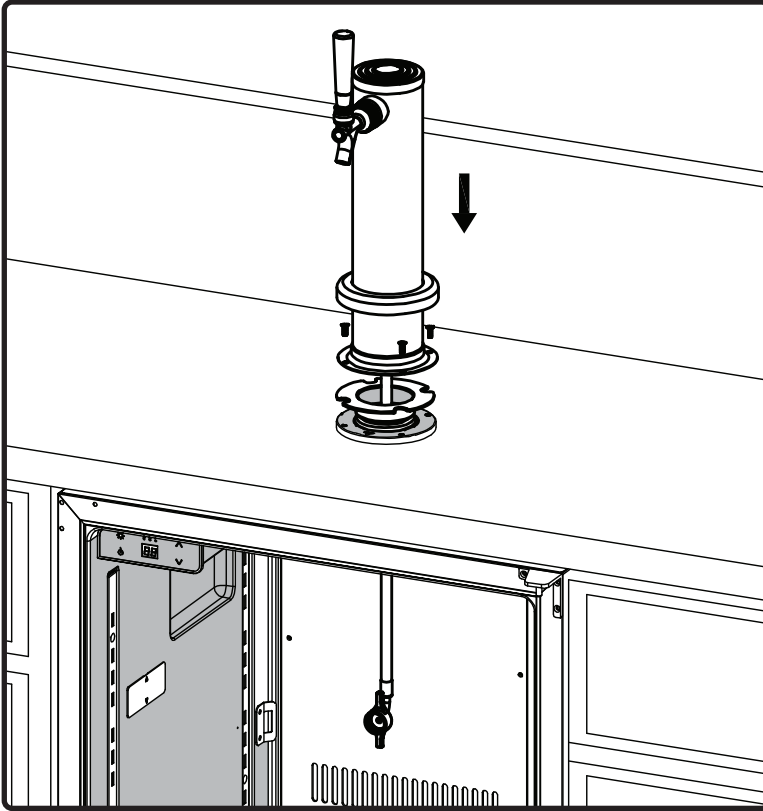


FIG. P

5. Install the tap tower by guiding the beer line through the opening on top of the kegerator. Secure the tap tower to the threaded countertop flange using the (4) M5 x 8 screws included with the built-in kit rather than the (4) M5 x 16 screws included with the tap kit (FIG. P).

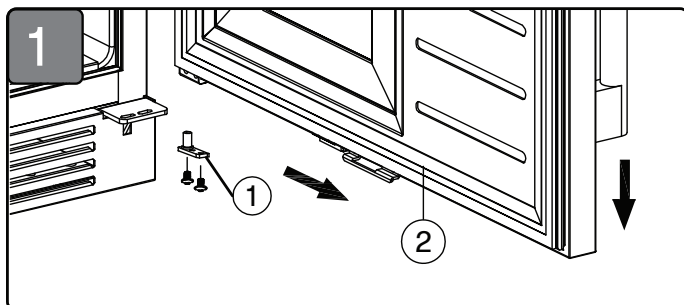
NOTE: If you are installing a double or triple tap, apply the included “Left Tap Label” and “Right Tap Label” stickers to the relevant beer lines before mounting the tower.

6. Reinstall the air conduit by using the (2) previously removed screws.
7. Complete the tap assembly by following steps 5-18 on pages 19-21.

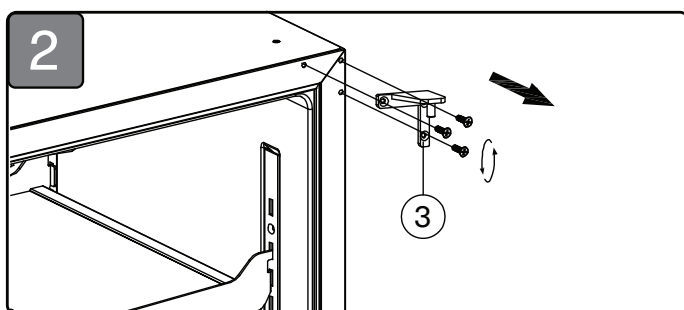
Installation Instructions

Reversing the Door Swing of Your Appliance

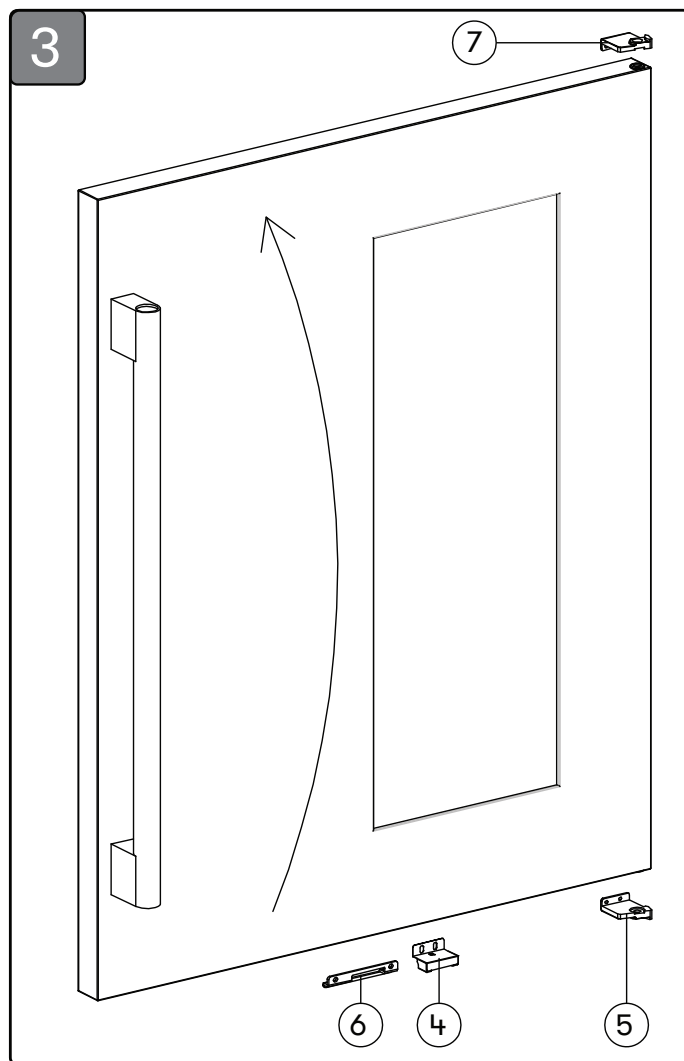
Should you desire to reverse the opening direction of the door, please follow the instructions below. Safely reversing the door swing of your appliance should require at least two people.



1. Remove the 2 screws from the lower door axis (1). Then remove the door (2) and remove the axis plate (1) from the door.

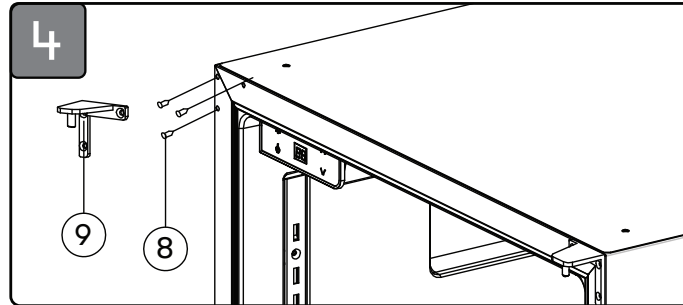


2. Remove the 3 hinge screws from the top right hinge (3) and remove the top right hinge.

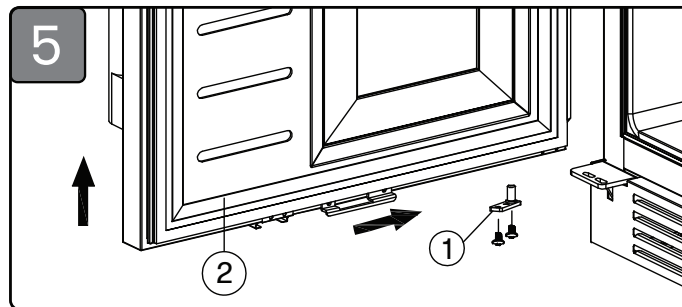


3. Remove the door magnet (4), door stopper (5), and child safety lock catch (6) by 2 screws each from the bottom of the door. Then, install the door magnet, new door stopper (7), and child safety lock catch on the opposite side of the door frame. Rotate the door 180 degrees.

Reversing the Door Swing of Your Appliance



4. Remove the 3 decorative nails (8) from the top left of the cabinet. Install the decorative nails to the top right of the cabinet and install the new top hinge (9) from the hardware package at the top left of the cabinet with 3 screws.



5. Reinstall the lower door axis (1) and door (2) once correctly aligned.

Installation Instructions

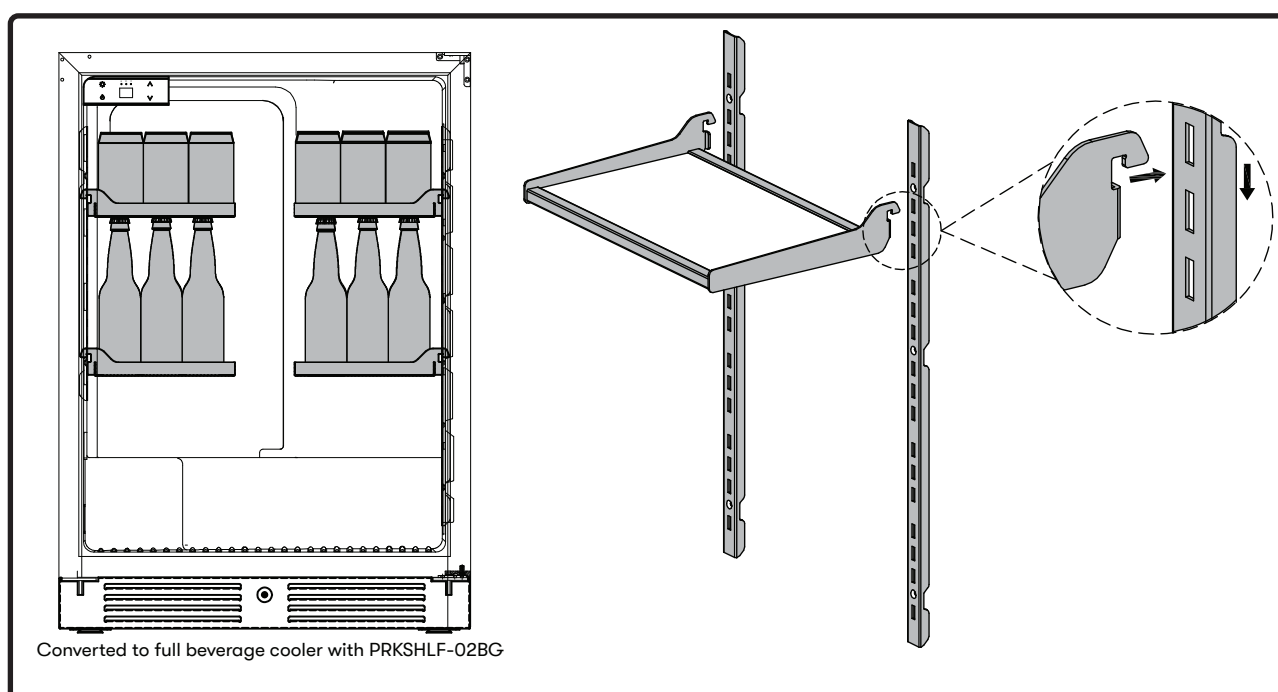
KEGERATOR &
BEVERAGE COOLER

INDOOR & OUTDOOR

- ▶ To prevent damaging the door or door gasket, make sure the door is open at least 90-degrees when pulling shelves out of the rail compartment.
- ▶ The door opens to a maximum of 135 degrees with a door stop on the bottom hinge preventing the door from opening further.

Installing the Glass Shelves

Please follow the instructions below to properly install the glass shelves. The kegerator comes with two glass shelves that can hold 15 beer bottles or 15 12oz cans each, however, if you wish to install more glass shelves to increase your overall capacity, the part number is PRKSHLF-02BG.



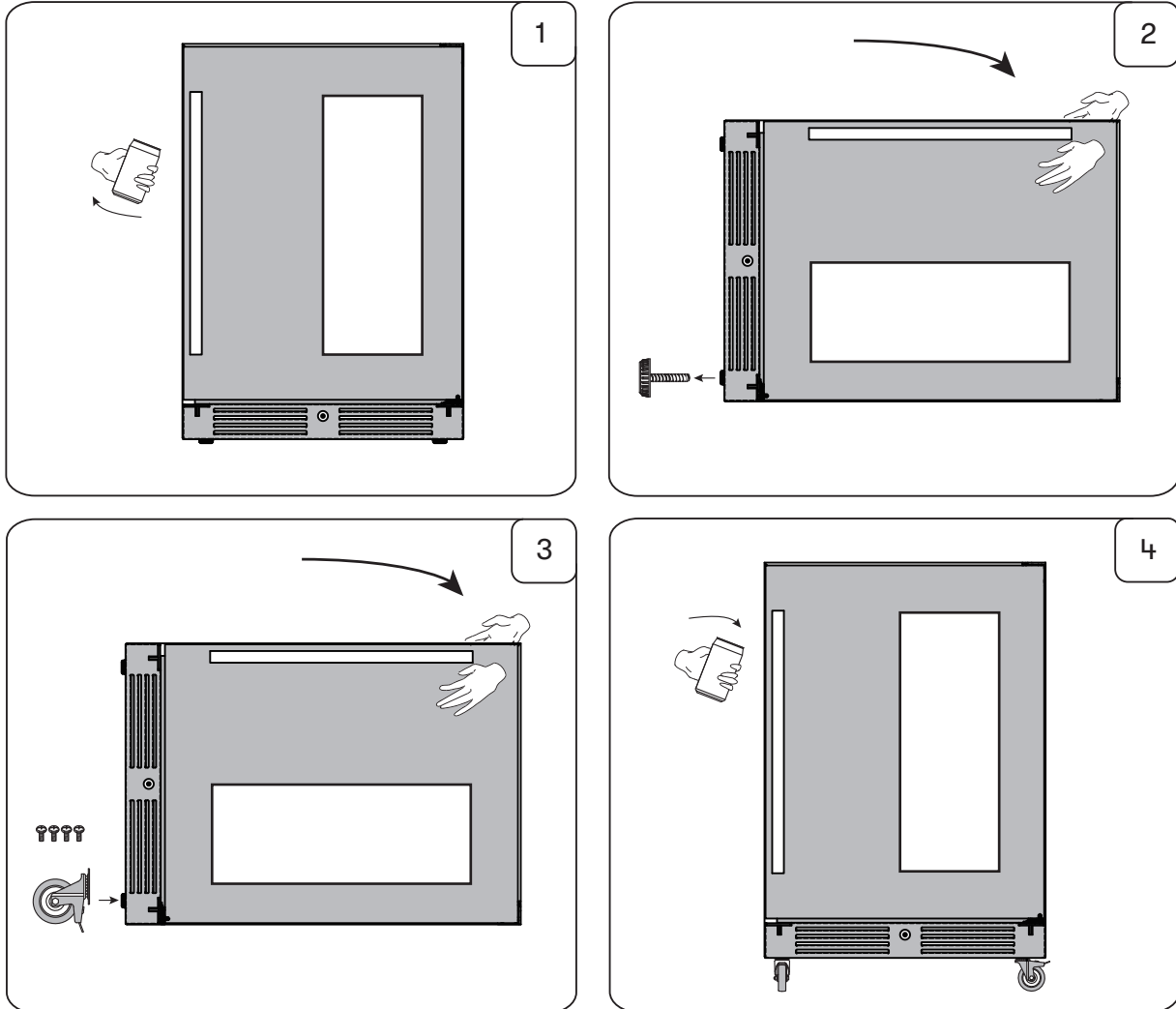
1. Completely open the kegerator door and unload any content that may obstruct the glass shelf installation process.
2. The glass shelves have mounting hooks that can attach to both the left and right side of the kegerator. Place the hooks into the mounting brackets as shown in the figure by slipping the hook into the bracket hole, which will secure it in place.
3. Load back any previously removed content and close the kegerator door.



Installing the Optional Caster Wheel Accessory

To convert the stationary unit into a mobile unit, please follow the instructions below. Installing the optional caster wheel accessory should require at least two people to prevent injury.

Optional Caster Wheel Accessory #: PRCAST-C001



1. Empty all contents within the kegerator and close the door afterwards. Lay the unit gently down on its right side.
2. Remove the leveling legs from the kegerator by twisting the leveling legs counterclockwise. Perform this step for each leveling leg.
3. Install a caster wheel with 4 provided screws. Perform this step for each corner.
4. Set the kegerator back to its upright position. Place all contents back into the kegerator.

Operating Your Appliance

KEGERATOR &
BEVERAGE COOLER






INDOOR & OUTDOOR

If the unit is unplugged, power lost, or turned off, you must wait 3 to 5 minutes before restarting the unit. If you attempt to restart before this time delay, the appliance may not start and will not keep the last set temperature.

Using the Control Panel



The kegerator has a temperature range from 32°F-65°F.

- Power Button**
 Press and hold this button for three seconds to power your unit on or off. While the unit is on, the R “Compressor Running” light may illuminate to indicate the internal compressor is active.
- Increase Temperature**
 Press this button to increase the temperature by one (1) degree increments. 65°F is the highest available temperature on this unit.
- Decrease Temperature**
 Press this button to decrease the temperature by one (1) degree increments. 32°F is the lowest available temperature on this unit.
- Interior Light (PRKB24C01AG only)**
 Press this button to cycle through the different colors for the control panel and internal lights.
- °C/°F Selector (PRKB24C01AS-OD only)**
 Press this button to switch the display temperature between Fahrenheit and Celsius.

PRKB24C01AG can switch the display temperature by holding the Increase and Decrease Temperature buttons at the same time for two seconds.

NOTE: The kegerator is equipped with a temperature memory function. If power is suddenly lost, the previous set temperature and light setting will be saved, and the cooler will return to this setting once power is restored.



WARNING



Leaving drinks in temperatures of 32°F or below for prolonged periods may cause bottles and cans to rupture.

Internal Light

PRKB24C01AG is equipped with (5) internal lights that can be set to Cloud White, Deep Blue or Amber colors. PRKB24C01AS-OD has (1) internal light in the Cloud White color.

You can choose to display each color of light in two different modes: Display mode and Automatic Mode.*

Display Mode

The internal lights will stay constantly illuminated whether the door is open or closed. Display Mode is a custom/user-defined function, not a regular day to day function. Display mode is not available for PRKB24C01AS-OD.

Automatic Mode

The internal lights will illuminate each time the door is opened and fade off once the door is closed. This feature is triggered by a sensor located on the front vent, this sensor allows the refrigerator to recognize when the door is open or closed.

*The default mode is Automatic Mode. To change between modes, press and hold the Interior Light button for 3 seconds.

Door Open Alarm

After 3 minutes of the door being open an alarm will sound and the display will flash with 00.

Sabbath Mode

Sabbath mode disables system responses to user-initiated activities and all external functions, including lighting, display and audible alarms. The unit will still maintain internal temperatures and set points.

To enable or disable Sabbath mode, Press the Power Button and simultaneously press the Increase Temperature Button twice. The interior light and control display will go dark until the user disables Sabbath mode.

NOTE: Although the display will not be visible, the temperature settings will remain active and preserve the internal temperature. Sabbath mode will remain active until it is disabled by the user.

Operating Your Appliance

KEGERATOR &
BEVERAGE COOLER

INDOOR & OUTDOOR

Demonstration Mode

In this mode, the compressor and fans never turn on but all other functions remain enabled. When in Demonstration Mode, the “R” indicator light will slowly blink indicating it is in Demonstration Mode.

To enable or disable Demonstration mode, hold Power Button and tap Decrease Temperature Button twice.

Temperature Alarm

If the interior temperature is higher than 73°F (23°C), “HI” is shown on the temperature control panel and the temperature alarm will sound continuously after one hour. This indicates that the inner temperature is too high. If the inner temperature is lower than 23°F (-5°C), “LO” is shown on the temperature display panel and the temperature alarm will sound continuously after 15 minutes. If one of these situations occur, please reference the troubleshooting section for support.

For the outdoor model, PRKB24C01AS-OD, the ambient temperature range is between 50°F (10°C) and below 109°F (43°C). For the indoor model, PRKB24C01AG, the ambient temperature range is between 50°F (10°C) and 90°F (32°C). Never use the indoor model outdoors. If the ambient temperature is expected to be below 50 degrees for over 24 hours, we recommend unplugging the unit to prevent damage.



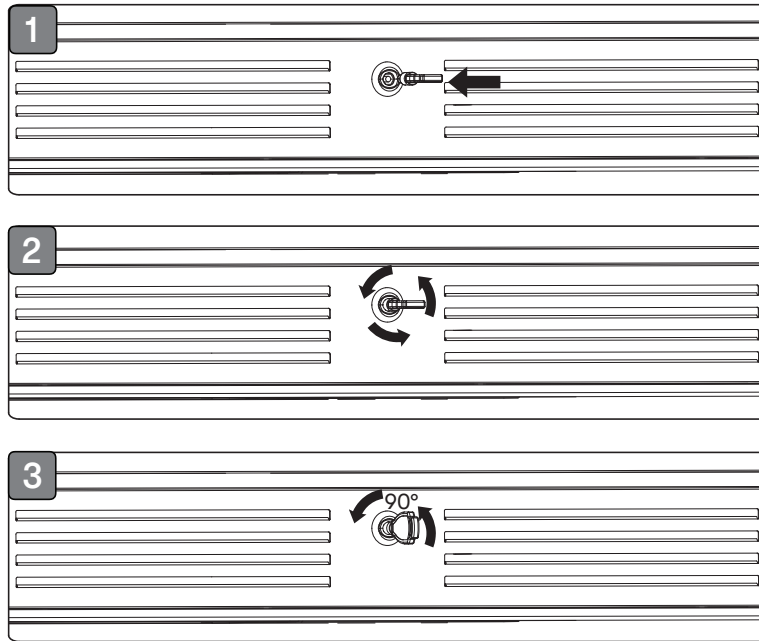
Defrosting

The kegerator is designed with an automatic defrost system. However, on colder settings, some frost may build up. Additionally, the more humid the ambient conditions, the more frost may build up. Keep the door closed as much as possible and avoid opening the door unnecessarily to minimize frost build-up.

If frost is preventing the door from closing properly, you may need to power the unit off until the frost melts (possibly up to 24 hours). Use a soft absorbent towel to dry the unit.

Child Safety Lock

The kegerator has a child safety lock designed to keep beverages within the cooler out of reach for children. Within the center of the front vent, a keyhole will be visible. To lock the kegerator, insert the provided key into the keyhole and turn the key counterclockwise. To unlock the kegerator, turn the key clockwise.



Foot Lock Feature

With the optional caster wheel accessory, PRCAST-C001, installed, the kegerator will become mobile. Each caster wheel has a foot lock lever to prevent the cooler from moving.

By stepping on the lever, the caster wheel will be locked in place. Perform this action on each caster wheel to fully secure the unit. To release the locking mechanism, lift the foot lock lever. Perform this action on each caster wheel for the cooler to become mobile.

Care and Maintenance

Normal Sounds

Your new kegerator may make sounds that are not familiar to you. Most of the new sounds are normal. Hard surfaces like the floor or walls can make the sounds seem louder than they actually are. The following describes the kinds of sounds that might be new to you and what may be making them.

- ▶ Rattling noises may come from the flow of the refrigerant or the water line.
- ▶ Items stored on top of the beverage cooler can also make noises.
- ▶ The high efficiency compressor may make a pulsating or high-pitched sound.
- ▶ Water running from the evaporator to the water bin may make a splashing sound.
- ▶ As each cycle ends, you may hear a gurgling sound due to the refrigerant flowing in your beverage cooler.
- ▶ You may hear air being forced over the condenser by the condenser fan.

Cleaning the Unit

Periodic cleaning and proper maintenance will ensure efficiency, top performance, and long life.

Interior Cleaning

1. Disconnect power to the unit.
2. Open the door and remove the contents and shelves.
3. With a clean cloth, wipe down the interior of the unit.
4. Reinsert the shelves and beverages.
5. Reconnect power to the unit.

Exterior Cleaning

The outside of the unit is stainless steel. The unit may be cleaned with a stainless steel cleaner. Apply a nonabrasive cleaner, such as a soft scrub or sponge, dampen it, and rub the area in the same direction as the stainless steel grain. Use a stainless steel cleaner and follow the manufacturer's instructions. Never use an abrasive or caustic cleaning agent as it could damage the exterior or cause discoloration.

Cleaning Components Exposed to Beer

Frequent cleaning of components that are often exposed to beer will prevent bad tasting beer caused by buildup of deposits and bacteria. Cleaning these components will remove beer residue from from the tap and beer lines, keeping your beer tasting fresh.

We recommend using the Zephyr Kegeerator Beer Line Cleaning Kit, PRKCLN-001, to clean your beer lines every 6 weeks or each time the beer keg is replaced to maintain fresh tasting beer.

Over time, a deep cleaning of the beer lines is required due to buildup. Please follow the instructions below for thoroughly cleaning the beer lines.

1. Close the CO₂ hand valve and remove all pressure with the pressure relief valve.
2. Disengage the keg coupler. Remove the gas line and beer line. Handle with care to prevent spilling of residual beer.
3. Remove the tap from the tap tower using the included wrench.
4. Soak the keg coupler and tap in warm water with some beer line cleaning solution for 30 minutes, Reassemble everything once cleaned.

Drip Tray Cleaning

If there is a bad odor surrounding the kegerator, it is likely coming from the drip tray. The drip tray collects residual beer from the tap upon pouring, and if not periodically cleaned, will attract unwanted bacteria and mold. These microbes over time contribute to unpleasant smells. We suggest using these options below:

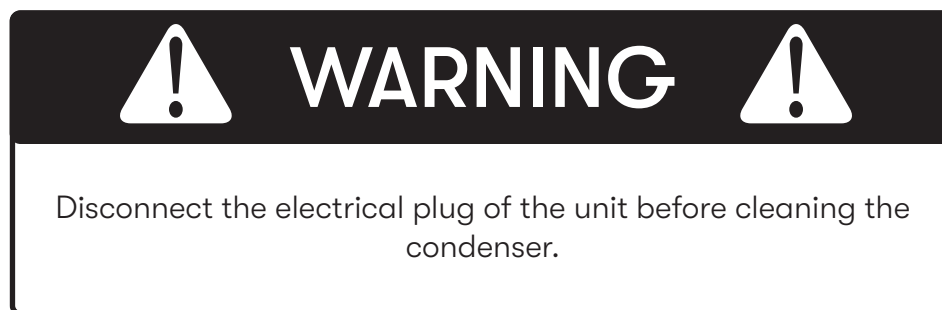
- ▶ Rinse the drip tray after each use.
- ▶ Clean the drip tray using soap and warm water after a few days of use.
- ▶ Placing the drip tray in the dishwasher and running it.

NOTE: Waiting a few seconds longer after pouring your beer will help lessen the amount of drip into your tray.

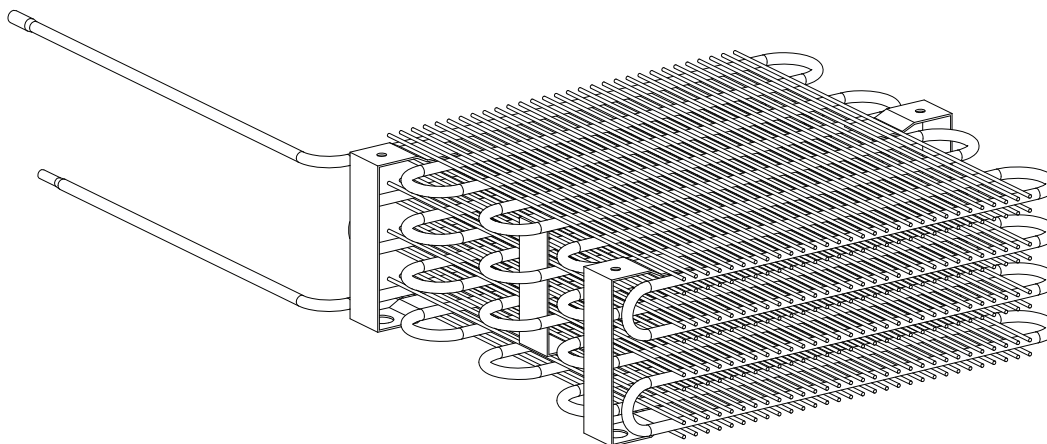
Cleaning the Condenser

To maintain operational efficiency, keep the front grille free of dust and lint. Clean the condenser when necessary. Depending on environmental conditions, more or less frequent cleaning may be necessary. Do not use any type of cleaner on the condenser unit. The condenser may be cleaned using a vacuum, soft brush, or compressed air.

NOTE: It is recommended to clean the condenser at least once every six months.



1. Remove the front grille.
2. Clean the condenser coil using a vacuum, soft brush, or compressed air.
3. Install the front grille.



Power Failure

Most power failures are corrected within a few hours and should not affect the temperature of your appliance if you minimize the number of times the door is opened. If the power is going to be off for a longer period of time, you need to take the proper steps to protect your contents.

Moving Your Kegeerator

- ▶ Remove all items.
- ▶ Securely tape down all loose items (shelves) inside your appliance.
- ▶ Turn the adjustable leg all the way up (clockwise) to the base to avoid damage.
- ▶ If caster wheels are installed, release the brake from each caster before attempting to move the appliance.
- ▶ Tape the door shut.
- ▶ Be sure the appliance stays secure in the upright position during transportation. Also protect outside of appliance with a blanket, or similar item.

Energy Saving Tips

- ▶ The appliance should be located in the coolest area of the room, away from heat producing appliances, and out of the direct sunlight.
- ▶ Ensure that the unit is adequately ventilated. Never cover air vents.
- ▶ Only open the door for as long as necessary.

Care and Maintenance

Extended Non-Use

The following steps are recommended for periods of extended non-use, such as from vacation, holidays, or prolonged shutdowns. If the unit will be exposed to temperatures of 40°F (5°C) or less, the below steps must be followed.

1. Remove all content from the unit.
2. Disconnect the electrical plug from the outlet and leave it disconnected.
3. If ice is on the evaporator, allow the ice to naturally thaw.
4. Clean and dry the interior of the unit. Ensure all water has been removed from the unit.
5. The door must remain open to prevent formation of mold and mildew. Open the door to a minimum of 2" to provide necessary ventilation.

▶ **What type of keg coupler is included with the Zephyr tap kit?**

- ▶ Zephyr kegerators include a “D” style coupler which is the most common coupler used on North American beers.

▶ **What temperature should I set my kegerator at?**

- ▶ This depends on the style of beer. Lighter-bodied beers should be served between 34°F and 38°F whereas heavier and darker beers are typically better served around 40°F and 44°F degrees. However, this all depends on your pallet as some people prefer their beers cold and some prefer them warmer.

▶ **How long does it take for a new beer keg to reach the desired temperature?**

- ▶ There are many factors that determine this, such as if the keg was kept cold. We recommend letting the beer keg sit in the kegerator for up to 24 hours. Not only does this allow the keg to get to temperature, but it also gives it time to settle and reduce foaming issues.

▶ **How long will beer remain fresh in a keg?**

- ▶ Typically, 20 - 120 days depending on the type of beer and if it is stored at the proper temperature.
- ▶ IPA's and other “hoppy” beers only last a few weeks while light-bodied beers can last for a few months.

▶ **How many beers are in a keg?**

- ▶ Six barrel keg - 5.16gal, 55 12-oz beers
- ▶ Quarter barrel keg - 7.75 gal, 82 12-oz beers
- ▶ Half barrel keg - 15.5 gal, 165 12-oz beers

▶ **How many kegs can be dispensed from a 5lb CO₂ tank?**

- ▶ Six barrel keg - 13 to 16 kegs
- ▶ Quarter barrel keg - 9 to 11 kegs
- ▶ Half barrel keg - 5 to 6 kegs

▶ **How often should I clean the beer lines?**

- ▶ Each time the keg is changed or every 6 weeks.

▶ **How do I troubleshoot CO₂ leaks?**

1. Pressurize the regulator to isolate the leak by turning the CO₂ tank valve counterclockwise to turn on the tank.

Frequently Asked Questions

2. If the high-pressure guage needle moves, this is a good indication that you are receiving a reading. You should be receiving a reading between 500 and 1,000 PSI, depending on the temperature of your tank, the ambient temperature, and altitude. If the needle moves, this is a good indication that you are receiving a reading.
3. Put pressure on the low-pressure side (this is the line that is pushing CO₂ to your kegs) by turning the pressure adjusmtnet knob on the regulator clockwise until you receive a reading of 10 PSI.
4. Once the regulator is set to 10 PSI, shut off the valves that send gas out of the regulator by turning them 90 degrees.
5. Turn your CO₂ tank off by turning the valve clockwise.
6. Check your pressure guage to see if the pin has moved at all.
 - ▶ If it drops, you have a leak somewhere between the shut-off valves and the tank.
 - ▶ First, check the connection between the CO₂ tank and regulator. The most common place to find a leak is at this location. It can be easily fixed by tightening the connection with a wrench.
 - ▶ If you have a leak in the regulator, it can be fixed with Teflon tape or tightening the connection with a wrench. Be sure to only use Teflon tape on a tapered pipe thread (NPT) connection. It will fill in the gaps between the connection and prevent leakage.
 - ▶ If the needle doesn't drop and your regulator is maintaining pressure, let the system sit for 15 to 20 minutes and the ncome back to see if the needle has moved. This method will spot any small leak you may have in your system.
 - ▶ If your needle drops, you may have a small leak in your regulator. Tighten the connection with a wrench.
 - ▶ If your needle still doesn't drop, open your regulator valves one at a time to each beer line. If the needle drops after opening the valve, you'll know that particular line or tube has a leak. Also, you will know that t he leak is occuring between the shutoff valve and the keg.
7. Now that you know the general location of the leak, to find the precise location of the leak, you need to pressurize the line again by turning the CO₂ tank back on.
8. Mix a solution of liquid dish soap with the water in a spray bottle. Generously spray all the connections of the suspected leak zone including all threaded connections and lines.
9. If there is a leak, it will begin to bubble to indicate a leak at that location, when you spray the connections.
 - ▶ If the leak is at the connection, tighten the connection with a wrench.
 - ▶ If the leak is on a hose, cut the damaged section out or replace it with a new hose.
 - ▶ If the leak is at the keg coupler connection, tighten until snug. If the silicon check valve in the coupler is damaged, replace it with the spare part from your spare parts bag.

Possible Problem	Possible Cause	Solutions
The appliance does not operate.	Not plugged in.	Ensure the appliance is plugged in and the power outlet has power.
	The appliance is turned off.	Turn on the appliance.
	The circuit breaker tripped or has a blown fuse.	Replace the broken fuse or reset the breaker.
	Sabbath mode may be enabled.	See the Operating Your Appliance section and verify if Sabbath mode is disabled.
The appliance is not cold enough.	Temperature control setting is too high.	Adjust the set temperature.
	External environment may require a higher setting.	Keep the appliance away from sunshine or other heat sources.
	The door is opened too frequently or for long periods of time.	Close the door tightly and do not open the door too frequently or for a long period of time.
	The door gasket is not sealed properly.	Ensure the door gasket is not loose.
	Demonstration mode may be enabled.	See the Operating Your Appliance section and verify if Demonstration mode is disabled.
	The cooler does not have sufficient ventilation.	Read and follow the “Installation Clearance Requirements” in the Installation Instructions section.
	The cooler has restricted air flow due to too much storage.	Open space in the cabinet to allow air flow.
	If the outside temperature exceeds 115°F, the unit may not operate optimally and will affect cooling.	Place the cooler in an environment where the temperature is above 50°F and below 115°F.
The appliance turns on and off frequently.	The room temperature is hotter than normal.	Run the refrigerator at the appropriate ambient temperature.
	The door gasket is not sealed properly.	Ensure the door gasket is not loose.
	The door is opened too frequently or for long periods of time.	Close the door tightly and do not open the door too frequently or for a long period of time.
	The cooler does not have sufficient ventilation.	Read and follow the “Installation Clearance Requirements” in the Installation Instructions section.
	The door is not closed completely	Make sure the door is completely closed.

Troubleshooting

Possible Problem	Possible Cause	Solutions
The body of the appliance is electrified.	The unit is not properly grounded.	Contact your local electrician to test your electrical grounding system.
Frost is forming in the appliance.	The environment is too humid.	The unit uses an 'auto-defrost' system, under certain conditions, manual defrosting may be required. If frost builds up, you can try running the refrigerator on a warmer temperature setting, minimizing the number of times you open the door or unplugging the unit to allow the frost to melt.
	The ambient temperature is too low.	
	The door is being opened too frequently.	
The appliance makes too much noise.	The rattling noise may come from the flow of the refrigerant, which is normal. As each cycle ends, you may hear gurgling sounds caused by the flow of refrigerant in the appliance.	It is normal that as each cooling cycle ends, you may hearing rattling or gurgling sounds caused by the flow of refrigerant in the appliance. The high efficiency compressor may make a pulsating or high pitched sound.
	Contraction and expansion of the inside walls may cause popping and cracking noises.	Some popping or cracking noises are normal. They are caused by expansion and contraction of the inside walls due to temperature changes.
	The unit is not level or is touching another appliance.	Check to make sure the cooler is level and that it is non in contact with another appliance or furniture.
The door will not close properly.	The appliance is not level.	Make sure the appliance is on a level surface.
	The door gasket is not installed correctly.	Make sure the door gasket is properly installed.
	The gasket is dirty.	Clean the door gasket.
	The shelves are out of position.	Install the shelves correctly.

Possible Problem	Possible Cause	Solutions
The beer is foamy upon pouring.	The tap handle is not being fully pulled.	Fully pull back on the tap handle.
	The beer is warm.	Allow the kegs to sit in the kegerator for at least 24 hours.
	There is excessive CO ₂ pressure.	Lower and adjust the CO ₂ pressure to between 10-12 PSI.
	The beer lines are old.	Either replace the beer lines or clean the beer line.
	The tap is clogged.	Clean the tap.
The beer is cloudy and hazy upon pouring.	The temperature is too low, resulting in chill haze.	Increase the temperature of the kegerator.
	The keg has something warm on it.	Remove any item that is not cold from the keg.
The beer is flat upon pouring.	The tap handle is not being fully pulled.	Fully pull back on the tap handle.
	The glasses that beer is being poured into are greasy.	Wash the glasses thoroughly after each use and allow to air dry. Do not dry wipe.
	There is not enough CO ₂ pressure.	Refill the CO ₂ tank if empty. Check the CO ₂ tank valve, making sure it is open. Check for obstructions in the gas lines. Check the shutoff valve from the regulator, making sure it is fully open. If the PSI is too low, raise the CO ₂ pressure to between 10-12 PSI.
The beer is bad or off-tasting.	The beer line or tap is dirty.	Clean the beer line and tap with the beer line cleaning kit, PRKCLN-001.
	The gas lines are dirty.	Replace the gas lines if they appear contaminated.
	The beer is old.	Replace the keg with fresh beer.

List of Parts and Accessories

KEGERATOR &
BEVERAGE COOLER

INDOOR & OUTDOOR

Description	Part Number
Replacement Parts	
Replacement Charcoal Filter	ZOF-C004
Optional Accessories	
Single Tap Kit	PRKFK-01SSC
Double Tap Kit	PRKFK-02SSC
Triple Tap Kit	PRKFK-03SSC
Beverage Cooler Kit, 2 Shelves	PRKSHLF-02BG
Drink Guardrail	PRKRAIL-0124SS
Beer Line Cleaning Kit	PRKCLN-001
Caster Wheels	PRCAST-C001
Contemporary Handle, Stainless Steel	PRHAN-C101
Contemporary Handle, Brushed Gold	PRHAN-C102
Contemporary Handle, Matte Black	PRHAN-C104

To order parts, visit us online at <http://store.zephyronline.com>.

NOTE: A detailed list of materials and instructions will be provided per accessory or kit.

Zephyr Ventilation, LLC (referred to herein as “we” or “us”) warrants to the original consumer purchaser (referred to herein as “you” or “your”) of Zephyr products (the “Products”) that such Products will be free from defects in materials or workmanship as follows:

Five Year Limited Warranty for Compressor: For five years from the date of your original purchase of the Products, we will provide, free of charge, compressor parts to replace those that failed due to manufacturing defects subject to the exclusions and limitations below. We may choose, in our sole discretion, to repair or replace parts before we elect to replace the Products.

Two Year Limited Warranty for Parts: For two years from the date of your original purchase of the Products, we will provide, free of charge, Products or parts (including LED light bulbs, if applicable) to replace those that failed due to manufacturing defects subject to the exclusions and limitations below. We may choose, in our sole discretion, to repair or replace parts before we elect to replace the Products.

Two Year Limited Warranty for Labor: Effective for purchases as of January 1, 2023. For two years from the date of your original purchase of the Products, we will provide, free of charge, the labor cost associated with repairing the Products or parts to replace those that failed due to manufacturing defects subject to the exclusions and limitations below.

To Obtain Service Under Limited Warranty: To qualify for warranty service, you must: (a) notify us at www.zephyronline.com/contact or by telephone at 888-880-8368 within 60 days of discovering the defect; (b) give the model number and serial number; and (c) describe the nature of any defect in the Product or part. At the time of the request for warranty service, you must present evidence of your proof of purchase and proof of the original purchase date. If we determine that the warranty exclusions listed above apply or if you fail to provide the necessary documentation to obtain service, you will be responsible for all shipping, travel, labor and other costs related to the services. This warranty is not extended or restarted upon warranty repair or replacements.

Warranty Exclusions: This warranty covers only repair or replacement, at our option, of defective Products or parts and does not cover any other costs related to the Products including but not limited to: (a) normal maintenance and service required for the Products and consumable parts such as filters, light bulbs, fuses; (b) any Products or parts which have been subject to freight damage, misuse, negligence, accident, faulty installation or installation contrary to recommended installation instructions, improper maintenance or repair (other than by us); (c) commercial or government use of the Products or use otherwise inconsistent with its intended purpose; (d) natural wear of the finish of the Products or wear caused by improper maintenance, use of corrosive and abrasive cleaning products, pads, and oven cleaner products; (e) chips, dents or cracks caused by abuse or misuse of the Products; (f) service trips to your home to teach you how to use the Products; (g) damage to the Products caused by accident, fire, floods, acts of God; or (h) Custom installations or alterations that impact serviceability of the Products. (i) Damage to personal property or food spoilage from use of this product. If you are outside our service area, additional charges may apply for shipping costs for warranty repair at our designated service locations and for the travel cost to have a service technician come to your home to repair, remove or reinstall the Products. After the first year from the date of your original purchase, you are also responsible for all labor costs associated with this warranty. All Products must be installed by a qualified professional installer to be eligible for warranty repairs or service.

Limitations of Warranty: OUR OBLIGATION TO REPAIR OR REPLACE, AT OUR OPTION, SHALL BE YOUR SOLE AND EXCLUSIVE REMEDY UNDER THIS WARRANTY. WE SHALL NOT BE LIABLE FOR INCIDENTAL, CONSEQUENTIAL OR SPECIAL DAMAGES ARISING OUT OF OR IN CONNECTION WITH THE USE OR PERFORMANCE OF THE PRODUCTS. THE EXPRESS WARRANTIES IN THE PRECEDING SECTION ARE EXCLUSIVE AND IN LIEU OF ALL OTHER EXPRESS WARRANTIES. WE HEREBY DISCLAIM AND EXCLUDE ALL OTHER EXPRESS WARRANTIES FOR THE PRODUCTS, AND DISCLAIM AND EXCLUDE ALL WARRANTIES IMPLIED BY LAW, INCLUDING THOSE OF MERCHANTABILITY AND FITNESS FOR A PARTICULAR PURPOSE. Some states or provinces do not allow limitations on the duration of an implied warranty or the exclusion or limitation of incidental or consequential damages, so the above limitations or exclusions may not apply to you. To the extent that applicable law prohibits the exclusion of implied warranties, the duration of any applicable implied warranty is limited to the same two-year and one-year periods described above if permitted by applicable law. Any oral or written description of the Products is for the sole purpose of identifying the Products and shall not be construed as an express warranty. Prior to using, implementing or permitting use of the Products, you shall determine the suitability of the Products for the intended use, and you shall assume all risk and liability whatsoever in connection with such determination. We reserve the right to use functionally equivalent refurbished or reconditioned parts or Products as warranty replacements or as part of warranty service. This warranty is not transferable from the original purchaser and only applies to the consumer residence where the Product was originally installed located in the United States and Canada. This warranty is not extended to resellers.

Please check our website for any additional product information, www.zephyronline.com
For warranty support, contact us at www.zephyronline.com/contact

JAN23.0301

Product Registration

Don't Forget to Register your Zephyr Presrv™ Cooler

Congratulations on your Presrv purchase! Please take a moment to register your new cooler.

Why is it important?

Prompt registration helps in more ways than one:

- Ensures warranty coverage should you need service
- Ownership verification for insurance purposes
- Notification of product changes or recalls

How about a review?

While you're at it, leave a review to let us know how much you love your cooler.



Register

zephyronline.com/registration



Review

qrs.ly/c7ea9sj

Search your Presrv model number in the top navigation bar

ZEPHYR

zephyronline.com | 2277 Harbor Bay Pkwy. | Alameda, CA 94520 | 1.888.880.8368

ZEPHYR

WWW.ZEPHYRONLINE.COM

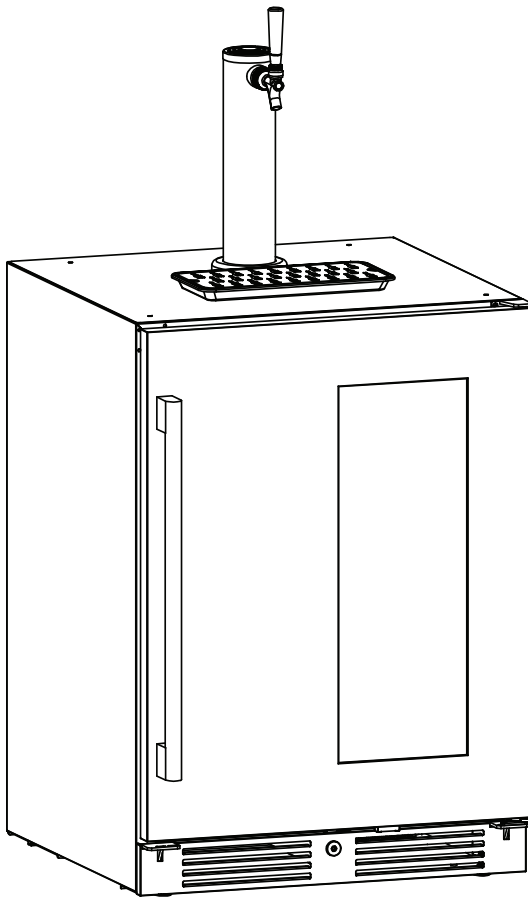
PRKB24C01AG (intérieur)

PRKB24C01AS-OD (extérieur)

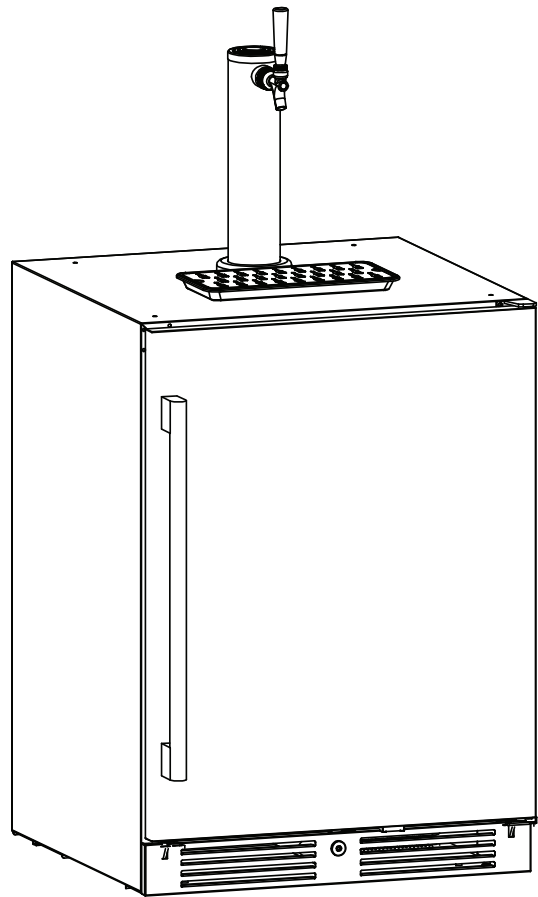
Presrv™ kegerator et refroidisseur de boissons

EN Use, Care, and Installation Guide

FR Guide d'utilisation, d'entretien et d'installation



PRKB24C01AG (intérieur)



PRKB24C01AS-OD (extérieur)

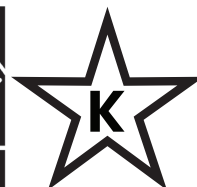


Table des matières

	Page
Information sur la sécurité	4-11
Types d'avertissements de sécurité.....	4
Sécurité générale.....	4-5
Exigences de sécurité	5-6
Instructions de mise à la terre	6
Emplacement	6-7
Ajustement des pieds de l'armoire.....	7
Nettoyage	7
Panne de courant	7
Décongélation	7
Vacances.....	7
Déménagement	7
Élimination.....	8
Attention.....	8
Conservez ces instructions.....	8
Introduction	9
Liste des matériaux	10
Spécifications du produit	11-15
Sommaire du produit.....	11
Types de fûts	11
Configurations de chargement de fûts	11
Capacité interne pour chaque configuration.....	12
Identification des pièces : Kegerator.....	13
Identification des pièces : tour de robinet et coupleur de fût de style D.....	14
Identification des pièces : réservoir de CO ₂ et régulateur	14
Dimensions	15
Instructions d'installation	16-31
Exigences de dégagement pour l'installation.....	16
Filtre à charbon	17
Installation de la poignée.....	17
Installation du Kegerator	18-21
Étalonnage du régulateur	22
Installation du kit de prise double - PRKFK-02SSC	23
Installation du kit de prise triple - PRKFK-03SSC	24
Installation du kit intégré	25-27
Inversion de l'ouverture de la porte de votre appareil.....	28-29
Installation des clayettes en verre.....	30
Installation de l'accessoire de roue pivotante en option	31

Utilisation de votre appareil.....	32-25
Utilisation du panneau de commande	32
Lumière interne.....	33
Alarme porte ouverte	33
Mode Sabbat.....	33
Mode de démonstration.....	34
Alarme de température.....	34
Dégivrage.....	34
Verrou de sécurité pour enfants	35
Fonction de verrouillage du pied.....	35
Entretien et maintenance	36-29
Sons normaux.....	36
Nettoyage de l'appareil	36
Nettoyage des composants exposés à la bière	37
Nettoyage du condenseur	38
Panne de courant.....	39
Déplacer votre Kegerator.....	39
Conseils d'économie d'énergie.....	39
Non-utilisation prolongée	40
Questions fréquemment posées	41-42
Dépannage	43-45
Liste des pièces et accessoires	46
Garantie limitée	47
Enregistrement du produit.....	48

LIRE ET CONSERVER CES INSTRUCTIONS

Votre sécurité et celle des autres sont très importantes.

Nous avons fourni de nombreux messages de sécurité importants dans ce manuel pour votre appareil. Lisez et respectez toujours tous les messages de sécurité.



C'est le symbole d'alerte de sécurité. Ce symbole vous avertit des dangers potentiels qui peuvent entraîner des blessures corporelles graves ou la mort. Tous les messages de sécurité suivront le symbole d'alerte de sécurité et les mots « DANGER », « AVERTISSEMENT » ou « ATTENTION ».

DANGER

Danger signifie que le non-respect de cette déclaration de sécurité peut entraîner des blessures graves ou la mort.

AVERTISSEMENT

Avertissement signifie que le non-respect de cette déclaration de sécurité peut entraîner des dommages importants au produit, des blessures graves ou la mort.

ATTENTION

Attention signifie que le non-respect de cette déclaration de sécurité peut entraîner des blessures légères ou modérées, des dommages matériels ou matériels.

SÉCURITÉ GÉNÉRALE

DANGER

Lors de l'utilisation d'un appareil électrique, des précautions de base doivent toujours être suivies pour réduire le risque d'incendie, de choc électrique et de blessures.

AVERTISSEMENT

Pour réduire les risques d'incendie, d'électrocution ou de blessures corporelles, débranchez ou débranchez l'appareil de l'alimentation électrique avant l'entretien.

- ▶ Pour vous protéger contre le risque d'électrocution, NE JAMAIS IMMÉRGER l'appareil, le cordon ou la prise dans l'eau ou vaporiser tout autre liquide.
- ▶ Débranchez l'appareil de la prise de courant lorsqu'il n'est pas utilisé, lorsque vous vous déplacez d'un endroit à un autre et avant de le nettoyer.
- ▶ Pour débrancher l'appareil, saisissez la fiche et débranchez-la de la prise murale. Ne tirez jamais sur le cordon.
- ▶ Ne faites jamais fonctionner l'appareil en présence de fumées explosives et/ou inflammables.
- ▶ Ne placez jamais l'appareil ou l'une de ses pièces à proximité d'une flamme nue, d'un appareil de cuisson ou d'un autre appareil de chauffage.
- ▶ N'utilisez jamais l'appareil avec un cordon ou une fiche endommagés, si le produit fonctionne mal ou s'il est tombé ou endommagé de quelque manière que ce soit.
- ▶ L'utilisation d'accessoires non recommandés par le fabricant peut être dangereuse.
- ▶ Ne jamais faire fonctionner si le boîtier est retiré ou endommagé.
- ▶ Un ajustement lâche entre la prise secteur (prise) et la fiche peut provoquer une surchauffe et une déformation de la fiche. Contactez un électricien qualifié pour remplacer une prise desserrée ou usée.
- ▶ Placez l'appareil à l'abri de la lumière directe du soleil et des sources de chaleur (cuisinière, chauffage, radiateur, etc.).
- ▶ Cet appareil ne contient ni CFC ni HFC et contient de petites quantités d'isobutane (R600a), un liquide de refroidissement respectueux de l'environnement.
- ▶ Vous devez vous assurer que le circuit de refroidissement n'est pas endommagé lors de l'installation de l'appareil. Cependant, s'il est endommagé, évitez la proximité de feux ouverts et de sources de chaleur de toutes sortes. La pièce dans laquelle se trouve l'appareil doit être ventilée correctement et conformément aux codes nationaux et locaux.
- ▶ N'utilisez jamais un appareil dont le circuit est endommagé.
- ▶ Assurez-vous que les ouvertures de ventilation vers et depuis un appareil encastré ne sont jamais obstruées ou couvertes.
- ▶ Aucune responsabilité ne sera acceptée pour tout dommage causé par une mauvaise utilisation de l'appareil ou à la suite de réparations effectuées par une personne non qualifiée. Dans ce cas, ni la garantie ni aucune autre responsabilité ne s'appliqueront.

LIRE ET CONSERVER CES INSTRUCTIONS

AVERTISSEMENT

Prop. 65 Avertissement pour les résidents de Californie:

Ce produit peut contenir des produits chimiques reconnus par l'État de Californie comme pouvant causer le cancer, des malformations congénitales ou d'autres troubles de la reproduction.

AVERTISSEMENT

N'utilisez jamais d'autre appareil électrique à l'intérieur de cet appareil.

- ▶ N'essayez jamais de réparer ou de remplacer une pièce de votre appareil à moins que cela ne soit spécifiquement recommandé dans ce manuel. Toute autre réparation doit être confiée à un technicien qualifié.
- ▶ Remplacez tous les panneaux d'accès avant de commencer.
- ▶ Utilisez deux personnes ou plus pour déplacer et installer l'appareil. Le non-respect de cette consigne peut entraîner des blessures au dos ou autres.
- ▶ Ne nettoyez jamais les pièces de l'appareil avec des liquides inflammables. Ces fumées peuvent créer un risque d'incendie ou d'explosion. N'entreposez ou n'utilisez jamais d'essence ou d'autres vapeurs et liquides inflammables à proximité de cet appareil ou de tout autre appareil. Les fumées peuvent créer un risque d'incendie ou d'explosion.
- ▶ Ne jamais brancher ou débrancher la prise électrique avec les mains mouillées.
- ▶ Il est recommandé de prévoir un circuit séparé, desservant uniquement votre appareil. Utilisez des prises qui ne peuvent pas être fermées par un interrupteur ou une chaînette.

EXIGENCES DE SÉCURITÉ

DANGER

Risque d'incendie ou d'explosion. Réfrigérant inflammable utilisé. Ne percez pas le tuyau de réfrigérant.

AVERTISSEMENT

Do not damage the refrigerant circuit.

- ▶ N'utilisez pas d'appareils mécaniques pour dégivrer le réfrigérateur.
- ▶ Assurez-vous que l'entretien est effectué par le personnel de service agréé par l'usine, afin de minimiser les dommages au produit ou les problèmes de sécurité.
- ▶ Consultez le manuel de réparation ou le guide du propriétaire avant de tenter de réparer ce produit. Toutes les précautions de sécurité doivent être respectées.
- ▶ Éliminer correctement conformément aux réglementations fédérales ou locales.
- ▶ Suivez attentivement les instructions de manipulation.
- ▶ Si le CORDON D'ALIMENTATION est endommagé, il doit être remplacé par le fabricant, son agent de service ou des personnes de qualification similaire afin d'éviter tout danger.

AVERTISSEMENT

Gardez les ouvertures de ventilation, dans l'enceinte de l'appareil ou dans la structure intégrée, dégagées de toute obstruction.

AVERTISSEMENT

N'utilisez pas d'appareils mécaniques ou d'autres moyens pour accélérer le processus de dégivrage, autres que ceux recommandés par le fabricant.

AVERTISSEMENT

N'utilisez pas d'appareils électriques à l'intérieur des compartiments de stockage des aliments de l'appareil, à moins qu'ils ne soient du type recommandé par le fabricant.

ATTENTION

Les enfants doivent être surveillés pour s'assurer qu'ils ne jouent pas avec l'appareil.

LIRE ET CONSERVER CES INSTRUCTIONS



Cet appareil n'est pas destiné à être utilisé par des personnes (y compris des enfants) dont les capacités physiques, sensorielles ou mentales peuvent être différentes ou réduites, qui manquent d'expérience ou de connaissances, à moins que ces personnes ne soient supervisées ou formées pour faire fonctionner l'appareil par une personne responsable de leur sécurité.

Ne stockez pas de substances explosives telles que des bombes aérosols avec un propulseur inflammable dans cet appareil.

INSTRUCTIONS DE MISE À LA TERRE

Cet appareil doit être mis à la terre. La mise à la terre réduit le risque de choc électrique en fournissant un fil d'échappement pour le courant électrique.

Cet appareil est doté d'un cordon doté d'un fil de mise à la terre avec une fiche à 3 broches. Le cordon d'alimentation doit être branché dans une prise correctement mise à la terre. Si la prise est une prise murale à 2 broches, elle doit être remplacée par une prise murale à 3 broches correctement mise à la terre. La plaque signalétique de série indique la tension et la fréquence pour lesquelles l'appareil est conçu.



L'appareil doit toujours être branché sur sa propre prise électrique individuelle dont la tension nominale correspond à l'étiquette signalétique de l'appareil. Cela offre les meilleures performances et évite également de surcharger les circuits de câblage qui pourraient provoquer un risque d'incendie dû à une surchauffe. Ne jamais débrancher l'appareil en tirant sur le cordon d'alimentation. Tenez toujours fermement la fiche et tirez-la tout droit hors de la prise. Réparez ou remplacez immédiatement tous les cordons d'alimentation qui se sont effilochés ou autrement endommagés. N'utilisez jamais un cordon présentant des fissures ou des dommages dus à

l'abrasion sur toute sa longueur ou à chaque extrémité. Lorsque vous déplacez l'appareil, veillez à ne pas endommager le cordon d'alimentation.

Ne connectez pas votre appareil à des rallonges ou avec un autre appareil dans la même prise murale. Ne pas épisser le cordon d'alimentation. Ne coupez ou ne retirez en aucun cas la troisième broche de terre du cordon d'alimentation. N'utilisez pas de rallonges ou d'adaptateurs non mis à la terre (à deux broches).

Si le cordon d'alimentation est endommagé, il doit être remplacé par le fabricant, son agent de service ou une personne qualifiée similaire afin d'éviter tout danger.

Ne stockez pas de substances explosives telles que des bombes aérosols avec un propulseur inflammable dans cet appareil.

Cet appareil est destiné à être utilisé dans des applications domestiques et similaires telles que :

- ▶ Zones de cuisine du personnel dans les magasins, bureaux et autres environnements de travail ;
- ▶ Maisons de ferme et par des clients dans des hôtels, des motels et d'autres environnements de type résidentiel ;
- ▶ Environnements de type chambres d'hôtes ;
- ▶ Restauration et applications similaires non commerciales.

EMPLACEMENT

- ▶ Les appareils sont conçus pour une installation encastrée ou autonome.
- ▶ Deux personnes doivent être utilisées pour déplacer l'appareil.
- ▶ Retirer l'emballage intérieur et extérieur avant l'installation. Essuyez l'extérieur de l'appareil avec un chiffon doux et sec et l'intérieur avec un chiffon humide tiède.
- ▶ Placez l'appareil sur un sol suffisamment solide pour le supporter lorsqu'il est complètement chargé.
- ▶ Ne placez jamais l'appareil dans des endroits humides.
- ▶ Convient pour une utilisation dans des endroits humides lorsqu'il est installé dans un circuit de dérivation protégé par GFCI. Destiné à un patio extérieur couvert ou à une véranda (pour le modèle extérieur uniquement).
- ▶ Ne placez pas l'appareil à la lumière directe du soleil ou à proximité de sources de chaleur, telles qu'un poêle ou un radiateur, car cela peut augmenter la consommation électrique. Des températures ambiantes extrêmement froides peuvent également entraîner un mauvais fonctionnement de l'appareil.
- ▶ La bouche d'aération à l'avant de l'appareil ne doit jamais être recouverte ou obstruée de quelque manière que ce soit.
- ▶ N'utilisez pas l'appareil près de l'eau, par exemple dans un sous-sol humide ou près d'un évier.

LIRE ET CONSERVER CES INSTRUCTIONS

- ▶ Le refroidisseur peut connaître une efficacité de refroidissement réduite si le débit d'air est limité en raison d'une armoire entièrement chargée.
- ▶ Cet appareil est destiné à un usage domestique uniquement. Il n'est pas conçu pour une installation à l'extérieur, y compris partout où la température n'est pas contrôlée (garages, porches, véhicules, etc.).
- ▶ Avant de brancher l'appareil à une source d'alimentation, laissez-le debout pendant environ 6 heures. Cela réduira la possibilité d'un dysfonctionnement du système de refroidissement dû à la manipulation pendant le transport.
- ▶ L'appareil ne doit pas être exposé à la pluie (pour le modèle d'intérieur uniquement).
- ▶ Installez les fûts extérieurs dans un endroit bien ventilé où la température ambiante est supérieure à 50 °F et inférieure à 109 °F et supérieure à 50 °F et inférieure à 90 °F pour les fûts intérieurs.
- ▶ Les dommages causés par des températures ambiantes de 40°F ou moins ne sont pas couverts par la garantie
- ▶ Si le refroidisseur doit être exposé à des températures ambiantes de 50 °F ou moins pendant plus de 24 heures, le refroidisseur doit être débranché pour éviter tout dommage.

RÉGLAGE DES PIEDS DE L'ARMOIRE

Il y a un pied réglable au bas de l'appareil qui peut être tourné vers le haut ou vers le bas pour s'assurer que l'appareil est de niveau. Il est important que l'appareil soit de niveau pour minimiser le bruit et les vibrations. Pour niveler l'appareil :

1. Déplacez l'appareil vers son emplacement définitif.
2. Tournez le pied de nivellement dans le sens inverse des aiguilles d'une montre aussi loin que possible, jusqu'à ce que le haut du pied touche le bas du châssis.
3. Tournez lentement le pied de nivellement dans le sens des aiguilles d'une montre jusqu'à ce que l'appareil soit de niveau.

NETTOYAGE

Assurez-vous que l'appareil est débranché avant de le nettoyer.

- ▶ Pour nettoyer l'intérieur de l'appareil, utilisez un chiffon doux et une solution d'une cuillère à soupe de bicarbonate de soude dans un litre d'eau ou une solution de savon doux ou un détergent doux.
- ▶ Lavez les étagères amovibles dans une solution détergente douce, puis séchez-les et essuyez-les avec un chiffon doux.
- ▶ Nettoyez l'extérieur avec un chiffon doux et humide et un peu de détergent doux. It is important to keep the area clean where the door seals against the cabinet.

- ▶ Nettoyez cette zone avec un chiffon savonneux. Rincez avec un chiffon humide et laissez sécher.

Remarque : N'utilisez pas de nettoyeurs contenant de l'ammoniac ou de l'alcool sur l'appareil. L'ammoniac ou l'alcool peuvent endommager l'apparence de l'appareil. N'utilisez jamais de nettoyeurs commerciaux ou abrasifs ou d'objets pointus sur aucune partie de l'appareil.

PANNE ÉLECTRIQUE

La plupart des pannes de courant sont corrigées en quelques heures et ne devraient pas affecter la température de votre appareil si vous minimisez le nombre d'ouvertures de la porte. Si l'alimentation doit être coupée pendant une longue période, prenez les mesures appropriées pour protéger votre contenu.

Remarque : Attendez 3 à 5 minutes avant de tenter de redémarrer l'appareil si le fonctionnement a été interrompu.

DÉGIVRER

Cet appareil est équipé d'une fonction de dégivrage automatique et ne nécessite pas de dégivrage manuel. L'eau de dégivrage de l'appareil est canalisée dans un bac de récupération situé au-dessus du compresseur. Le transfert de chaleur du compresseur provoque l'évaporation de l'eau de dégivrage.

VACANCES

- ▶ Courtes vacances : Laissez l'appareil fonctionner pendant les vacances de moins de trois semaines.
- ▶ Longues vacances : Si l'appareil n'est pas utilisé pendant plusieurs mois, retirez tous les éléments et éteignez l'appareil. Nettoyez et séchez soigneusement l'intérieur. Pour éviter la formation d'odeurs et de moisissures, laissez la porte légèrement ouverte, en la bloquant si nécessaire.

EN MOUVEMENT

- ▶ Assurez-vous que l'appareil est vide.
- ▶ Fixez les étagères avec du ruban adhésif.
- ▶ Fixez la porte avec du ruban adhésif.
- ▶ Tournez le pied réglable jusqu'à la base pour éviter tout dommage
- ▶ Protégez l'extérieur de l'appareil avec une couverture ou un objet similaire.

LIRE ET CONSERVER CES INSTRUCTIONS

- ▶ Assurez-vous que l'appareil reste en position verticale pendant le transport.
- ▶ Si l'appareil est placé sur le dos ou sur le côté pendant le transport, une fois arrivé à destination, laissez-le rester debout pendant 6 heures avant de le brancher pour éviter d'endommager les composants internes.

DISPOSITION

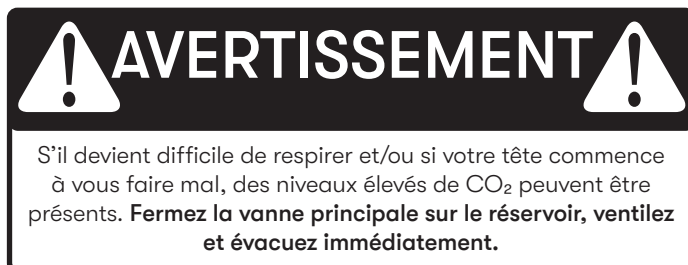
Cet appareil ne doit pas être traité comme un déchet ménager ordinaire, il doit être apporté au point de collecte des déchets approprié pour le recyclage des composants électriques. Pour plus d'informations sur les points de collecte des déchets locaux, contactez votre agence locale d'enlèvement des déchets ou le bureau du gouvernement.

Risque d'incendie ou d'explosion. Éliminer correctement conformément aux réglementations fédérales ou locales applicables. RÉFRIGÉRANT INFLAMMABLE Utilisé.

- ▶ Le circuit de refroidissement, en particulier l'échangeur de chaleur à l'arrière/en bas de l'unité, ne doit pas être endommagé.
- ▶ Le symbole sur le produit ou son emballage indique que ce produit ne doit pas être traité comme un déchet ménager normal mais doit être déposé dans un point de collecte de recyclage pour les appareils électriques et électroniques. En éliminant correctement ce produit, vous contribuez à la protection de l'environnement. Une élimination inappropriée met en danger la santé et l'environnement. De plus amples informations sur le recyclage du produit peuvent être obtenues auprès de votre mairie ou du service local de collecte des déchets.

ATTENTION

- ▶ Le CO₂ peut être dangereux. Manipuler avec soin.
- ▶ Vérifiez toujours la date du test du ministère des Transports sur le col du réservoir avant l'installation. Si cela fait plus de 5 ans, retournez le réservoir de CO₂ à votre fournisseur.
- ▶ Connectez toujours le réservoir de CO₂ à un régulateur. Ne le connectez jamais directement au fût.
- ▶ Gardez toujours le réservoir de CO₂ en position verticale.
- ▶ Gardez toujours les réservoirs de CO₂ à l'écart de la chaleur et stockez les réservoirs de CO₂ supplémentaires dans des endroits frais (de préférence à moins de 70 °F).



- ▶ Aérez toujours la zone après toute fuite de CO₂.
- ▶ Ne surchargez jamais l'armoire.
- ▶ N'ouvrez jamais la porte sauf si nécessaire.
- ▶ Ne couvrez jamais les étagères avec du papier d'aluminium ou tout autre matériau d'étagère qui pourrait empêcher la circulation de l'air.
- ▶ Si l'appareil reste vide pendant de longues périodes, il est suggéré de le débrancher et, après un nettoyage soigneux, de laisser la porte entrouverte pour permettre à l'air de circuler à l'intérieur du meuble afin d'éviter la formation de condensation, de moisissure ou d'odeurs.

CONSERVEZ CES INSTRUCTIONS

Si vous rencontrez des problèmes, consultez le Guide de dépannage à la fin de ce manuel. Il répertorie les causes des problèmes de fonctionnement mineurs que vous pouvez corriger vous-même.

Merci d'avoir acheté votre produit Zephyr. Zephyr se consacre au développement de produits qui amélioreront votre style de vie avec une qualité supérieure et des caractéristiques distinctives. Veuillez visiter www.zephyronline.com pour plus d'informations sur votre produit et d'autres produits Zephyr.

Ce manuel contient des informations importantes concernant l'installation, l'utilisation et l'entretien appropriés de votre kegerator. Le respect de ce manuel garantira que votre produit fonctionnera au maximum de ses performances et de son efficacité.

Pour vos dossiers

Veillez noter le numéro de modèle et le numéro de série ci-dessous pour référence future. Les deux numéros se trouvent sur l'étiquette signalétique à l'arrière de votre appareil et à l'intérieur de l'appareil vers le bas de l'armoire et sont nécessaires pour obtenir le service de garantie. Vous pouvez également agraffer votre reçu à ce manuel car il s'agit de la preuve de votre achat et peut également être nécessaire pour le service sous garantie.

Numéro de modèle:

Numéro de série:

Date d'achat:

Pour mieux vous servir, veuillez faire ce qui suit avant de contacter le service client :

Si vous avez reçu un produit endommagé, contactez immédiatement le revendeur ou le revendeur qui vous a vendu le produit.

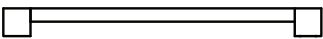
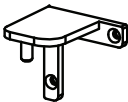





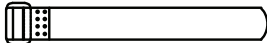





- ▶ Lisez et suivez attentivement ce manuel d'instructions pour vous aider à installer, utiliser et entretenir votre kegerator.
- ▶ Lisez la section de dépannage de ce manuel car elle vous aidera à diagnostiquer et à résoudre les problèmes courants.
- ▶ Visitez-nous sur le Web à l'adresse <http://www.zephyronline.com> pour télécharger des guides de produits, des ressources de dépannage supplémentaires et des informations à jour.
- ▶ Si vous avez besoin d'un service de garantie, nos sympathiques représentants du service client sont disponibles sur notre site Web à <http://zephyronline.com/contact> ou par téléphone au **888-880-8368**.

Liste des matériaux


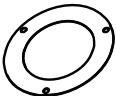


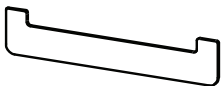
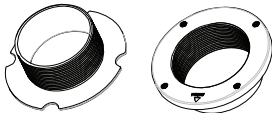
KEGERATOR ET
REFROIDISSEUR DE BOISSONS

INTÉRIEUR ET EXTÉRIEUR

Matériaux de Kegerator

- | | |
|---|--|
|  |  |
| (1) Poignée de porte de style professionnel | (1) Support de charnière de porte réversible |
|  |  |
| (2) Vis de poignée de porte (M4*40) (préinstallées) | (1) Arrêt de porte gauche |
|  |  |
| (2) Rondelles plates ($\Phi 4.3 \times \Phi 8 \times 0.5$, M4) (préinstallées) | (2) Clés |
|  |  |
| (3) Vis du support de charnière de porte (M4*12) | (1) Bande velcro pour réservoir de CO ₂ |
|  |  |
| (2) Vis autotaraudeuses pour butée de porte gauche (ST3*16) | (1) Bac d'égouttage |
|  |  |
| (3) Clous décoratifs | (1) clé Allen de 3 mm (clé hexagonale) pour accessoire de garde-corps pour boissons |
|  | |
| (5) Tampons en caoutchouc transparent pour bac d'égouttage | |

Matériaux du kit d'installation intégré

- | | |
|---|--|
|  |  |
| (1) Tube d'isolation réglable | (1) Joint de tube d'isolation |
|  |  |
| (3) Vis de joint de tube d'isolation (ST4*12) | (4) Vis à bride de comptoir filetées pour tour de robinet (M5*8) |
|  |  |
| (1) Clé | (1) Bride de comptoir filetée |

REMARQUE: Une liste détaillée des matériaux sera fournie par accessoire ou kit.

REMARQUE: Un kit de robinet Zephyr est nécessaire pour terminer l'installation, vendu séparément.

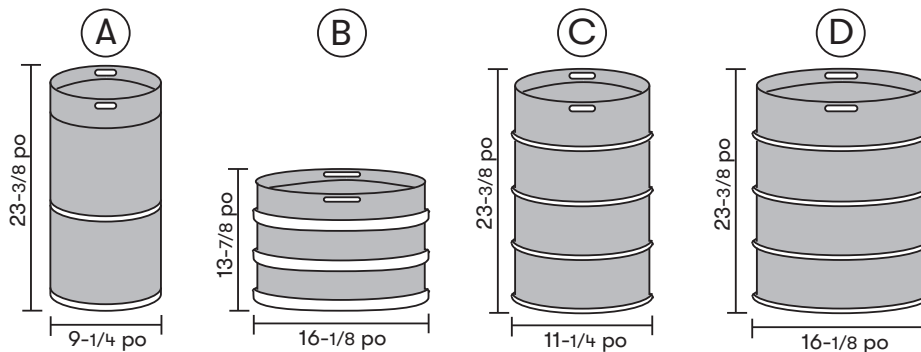
Sommaire du produit

Cet appareil nécessite une prise de terre électrique standard de 115/120 volts CA ~ 60 Hz.

DESCRIPTION DU PRODUIT	Presrv Kegerator et refroidisseur de boissons
MAQUETTE	PRKB24C01AG & PRKB24C01AS-OD
TENSION/FRÉQUENCE	AC 115V/60Hz
INTENSITÉ DE COURANT	1.5A
COULEUR	Acier inoxydable
CAPACITÉ DE STOCKAGE*	6 cu ft.
RÉFRIGÉRANT	R600a
ÉCART DE TEMPÉRATURE	32°F - 65°F
DIMENSIONS (HxLxP)	23-7/8 po X 33-7/8 po X 23-1/2 po
POIDS BRUT (lb)	110 lb (extérieur), 123 lb (intérieur)
CAPACITÉ POIDS - TABLETTE EN VERRE (lb)	26.45lb

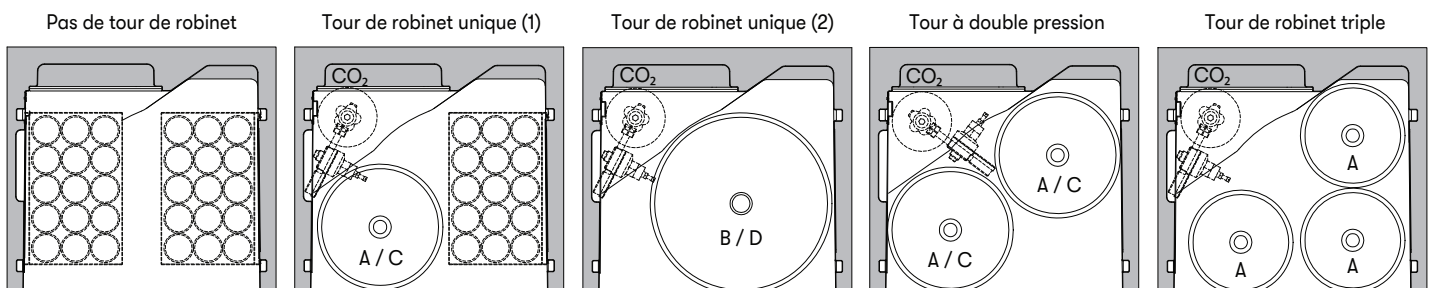
*Voir page 12 pour les configurations de capacité

Types de fûts



Nom	Sixième baril	Quart de baril	Quartier mince	Demi Baril
Capacité	5.23 gal.	7.75 gal.	7.75 gal.	15.5 gal.
12 onces.	55	82	82	165
Portions				

Configurations de chargement de fût



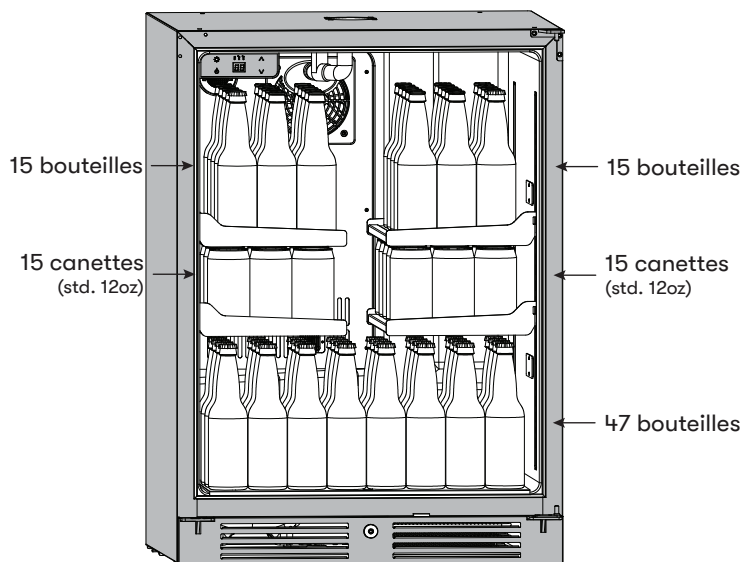
Spécifications du produit

KEGERATOR ET
REFROIDISSEUR DE BOISSONS

INTÉRIEUR ET EXTÉRIEUR

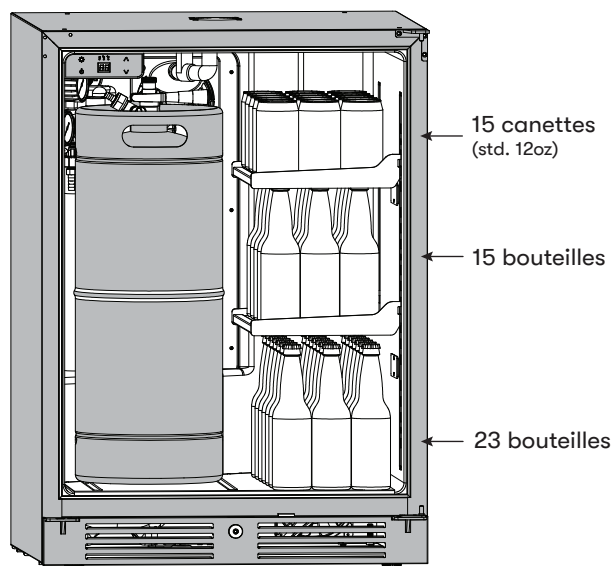
Capacité interne pour chaque configuration

Pas de tour de robinet



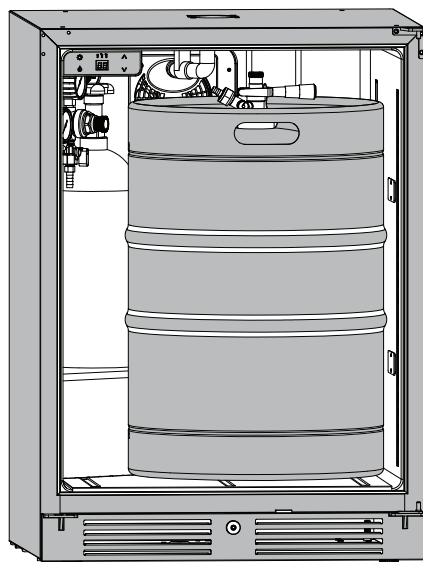
Capacité de 77 bouteilles de bière + 30 canettes

Tour de robinet unique (1)



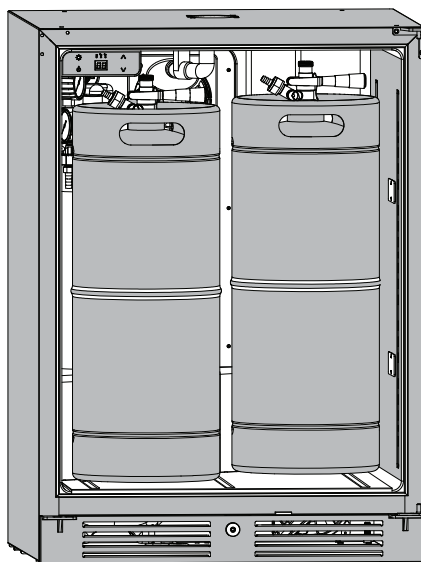
(1) sixième baril ou (1) quart mince +
38 bouteilles de bière + capacité de 15 canettes

Tour de robinet unique (2)



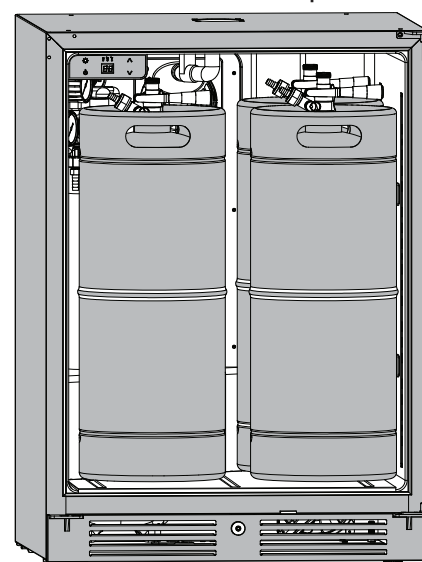
(1) quart de baril ou (1) demi-baril

Tour à double pression



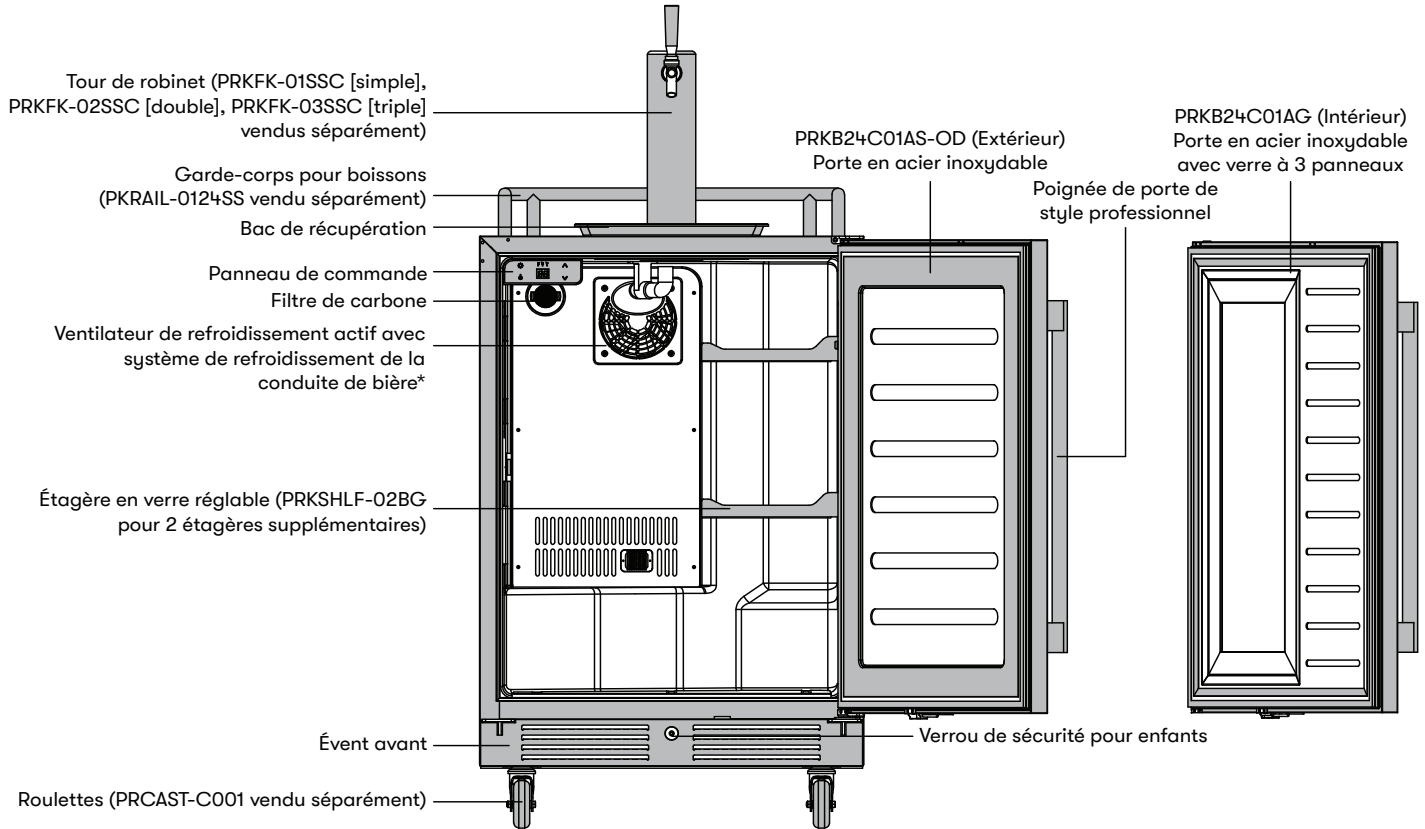
(2) sixième barillet ou (2) quarts minces ou
(1) sixième barillet + (1) quart mince

Tour de robinet triple



(3) sixièmes barils

Identification des pièces : Kegeerator



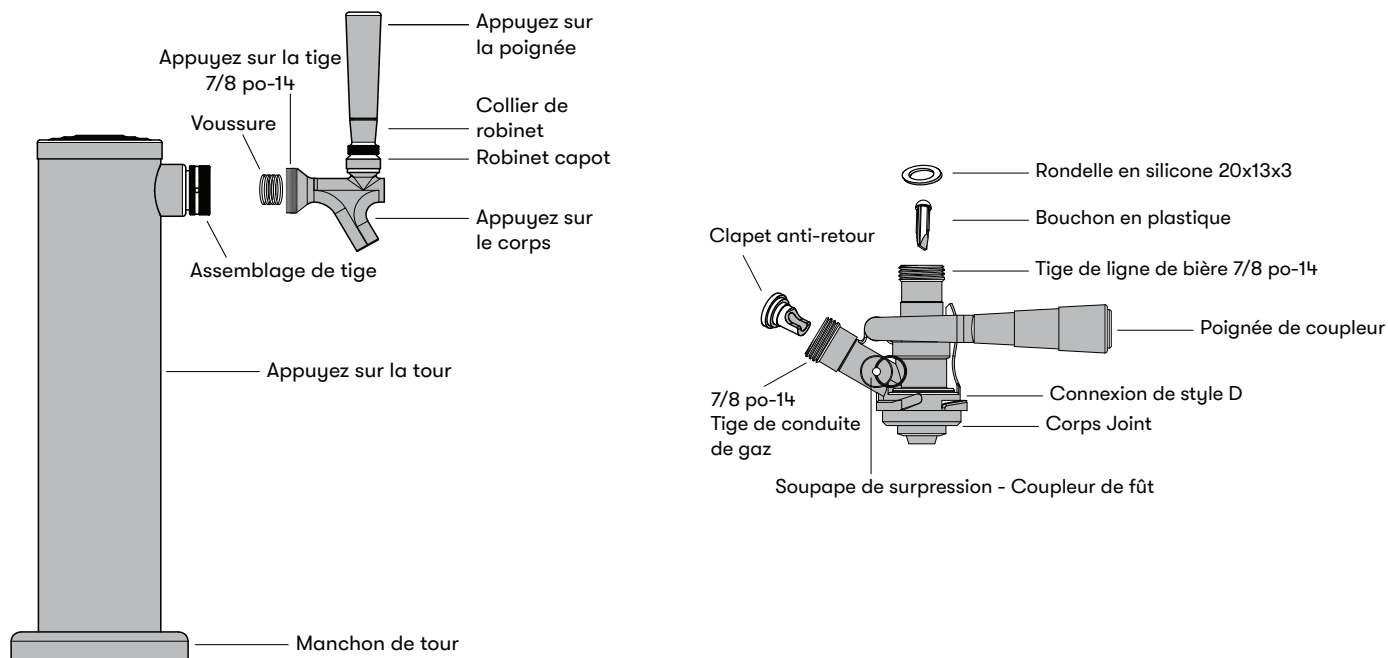
* Le ventilateur de refroidissement actif avec système de refroidissement de la ligne de bière aide à garder les lignes de bière fraîches et à minimiser la mousse car il dirige une partie de l'air vers le haut dans la tour du robinet.

Spécifications du produit

KEGERATOR ET
REFROIDISSEUR DE BOISSONS

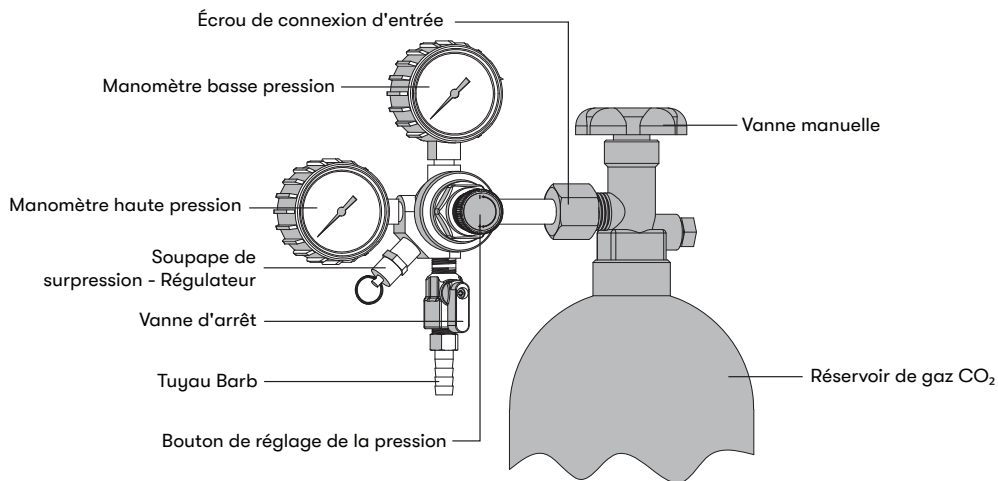
INTÉRIEUR ET EXTÉRIEUR

Identification des pièces : tour de robinet et coupleur de fût de style D



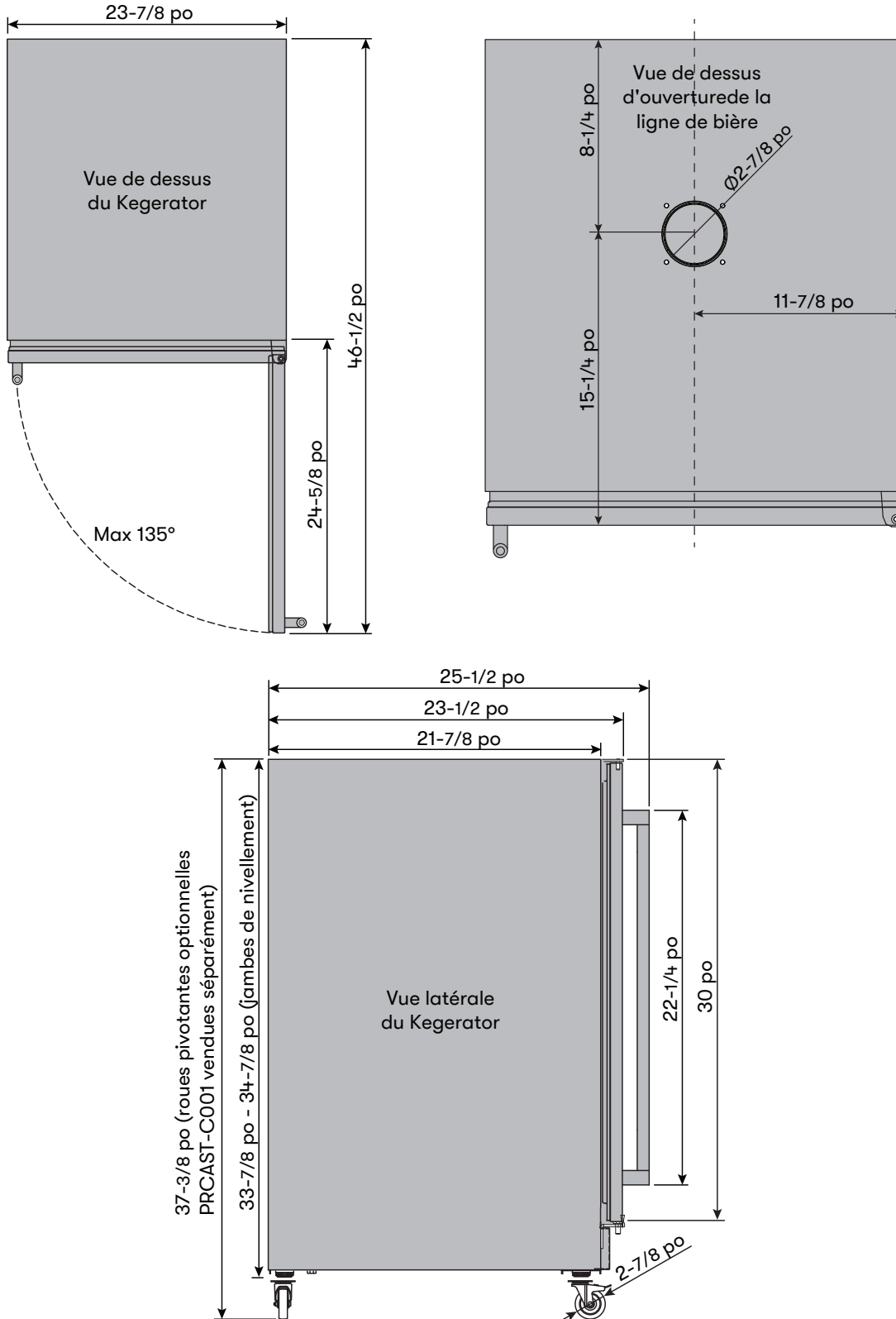
REMARQUE: La tour de robinet et le coupleur de fût de style D sont des composants des kits de robinet, vendus séparément. Il y aura un certain nombre d'ouvertures pour la tour de robinet selon qu'un kit de robinet simple, double ou triple a été acheté. La quantité fournie de corps de robinet et de poignées de robinet s'alignera sur le nombre d'ouvertures sur la tour de robinet.

Identification des pièces : réservoir de CO₂ et régulateur



REMARQUE: Le réservoir et le régulateur de CO₂ sont des composants des kits de robinets, vendus séparément. La soupape de surpression sera située entre les manomètres haute et basse pression pour les régulateurs doubles et triples. Il y aura deux vannes d'arrêt et des raccords cannelés pour les régulateurs doubles et trois vannes d'arrêt et des raccords cannelés pour les régulateurs triples.

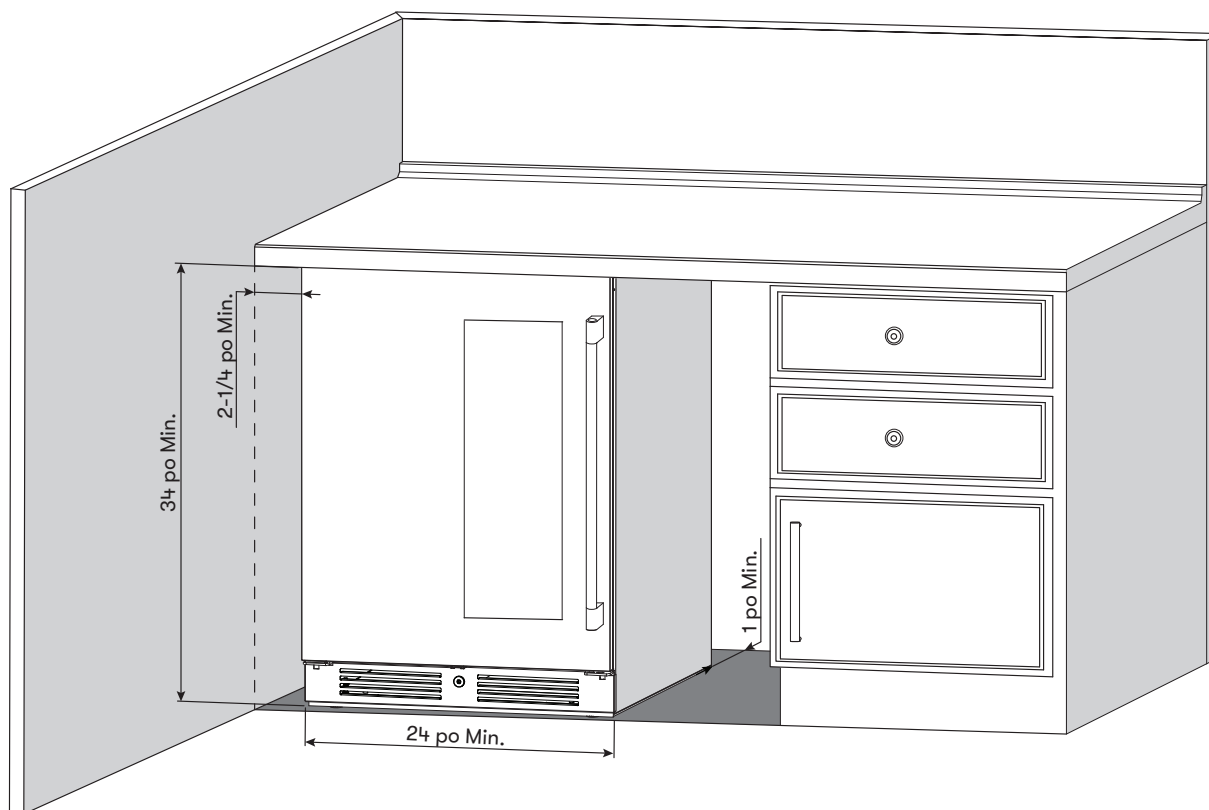
Dimensions



Exigences de dégagement pour l'installation

Lors de l'installation du kegerator sous un comptoir, suivez les dimensions d'espacement recommandées indiquées.

- ▶ Pour un dégagement correct de la fiche électrique, laissez au moins 1 po de dégagement à l'arrière, comme indiqué sur le schéma.
- ▶ Une installation à côté d'un mur nécessitera un dégagement de porte minimum de 2-1/4" pour accueillir la poignée Zephyr.
- ▶ L'armoire doit permettre au moins 24" pour la largeur et 34" pour la hauteur pour accueillir le kegerator.
- ▶ Le câble d'alimentation est situé à l'arrière droit de l'appareil et a une longueur de 78-11/16" pour s'adapter à plusieurs emplacements de prise.
- ▶ Une fois que vous êtes prêt à installer l'appareil, vous devez ajuster les pieds pour niveler le kegerator.
- ▶ Cette unité peut être entièrement intégrée aux armoires et ne nécessite aucun dégagement supplémentaire en plus de ce qui est référencé ci-dessous.
- ▶ L'installation doit permettre de tirer l'unité vers l'avant pour l'entretien, si nécessaire.
- ▶ Installez le kit intégré Zephyr Kegerator inclus en suivant les instructions de la page 25.

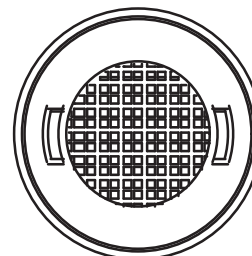


Filtre de carbone

Un filtre à charbon intégré protège vos boissons en agissant comme une barrière naturelle contre les odeurs nocives. Le filtre à charbon doit être remplacé tous les 3 à 6 mois en fonction du niveau d'exposition de l'appareil aux odeurs. Si l'appareil est placé dans une cuisine, un remplacement régulier tous les trois mois est idéal.

Retirez le filtre à charbon en tournant dans le sens inverse des aiguilles d'une montre pour le déverrouiller du panneau arrière.

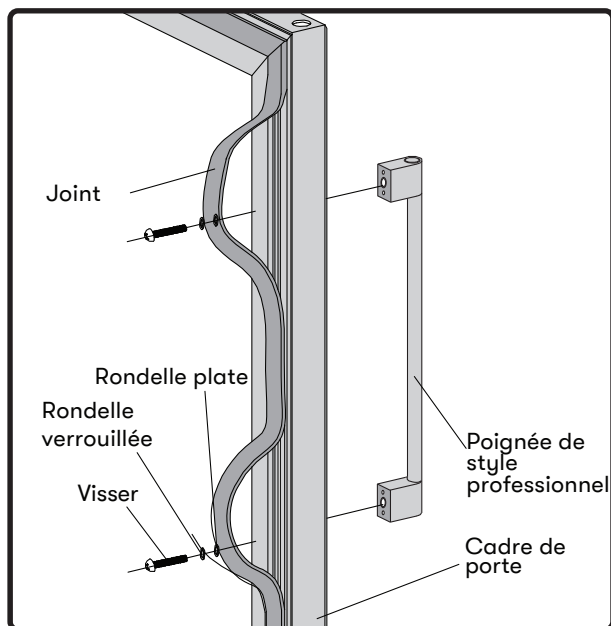
de pièce de rechange du filtre à charbon: ZOF-C004



Installation de la poignée

Si des poignées contemporaines sont souhaitées, reportez-vous ci-dessous pour le numéro de pièce.

1. Écartez le joint de la porte du côté où vous souhaitez installer la poignée. Sous le joint, vous verrez deux trous désignés pour l'installation de la poignée et des vis préinstallées.
2. Installez la poignée fermement comme indiqué avec deux vis. Les rondelles de blocage et les rondelles plates sont préinstallées.

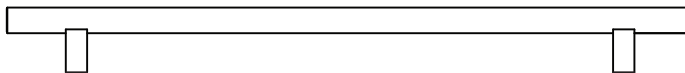


Poignées contemporaines Zephyr Presrv

Partie #: PRHAN-C101 Couleur: Acier inoxydable

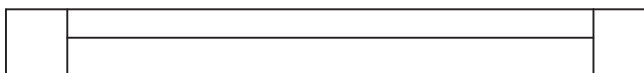
Partie #: PRHAN-C102 Couleur: Or brossé

Partie #: PRHAN-C104 Couleur: Noir mat



Poignée Zephyr Presrv Pro

Partie #: PRHAN-C001 Couleur: Acier inoxydable (inclus)



Installation du Kegerator

Le Zephyr Kegerator & Beverage Cooler peut être configuré pour plusieurs configurations. Pour convertir l'appareil en un refroidisseur de boissons complet, achetez l'accessoire, PRKSHLF-02BG, et consultez la page 30 pour plus d'informations. Si vous prévoyez d'utiliser le kegerator pour des aliments périssables, la température doit être réglée à 40 °F (4,5 °C) ou moins.

Si vous avez l'intention d'utiliser le kegerator pour distribuer de la bière, achetez le kit de robinet simple, double ou triple approprié pour la configuration souhaitée. Le kit de robinet Zephyr comprendra tout le nécessaire pour commencer, y compris la tour de robinet, le(s) robinet(s), la(les) conduite(s) de bière, la(les) conduite(s) de gaz, le(s) coupleur(s) de fût de style D, le régulateur et le réservoir de CO₂.

REMARQUE: Le réservoir de CO₂ arrivera vide et doit être rempli de gaz CO₂. Contactez votre fournisseur local de matériel de soudage, d'articles de sport ou de brasserie artisanale pour obtenir de l'aide.

Pour les instructions d'installation intégrées, passez à la page 25.

L'illustration ci-dessous (FIG. A) montre l'installation d'un kegerator autonome avec un kit de robinet unique (PRKFK-01SSC). Des illustrations pour les kits de robinets doubles et triples sont disponibles aux pages 23 et 24. Une liste détaillée des matériaux est incluse avec chaque kit de robinets.

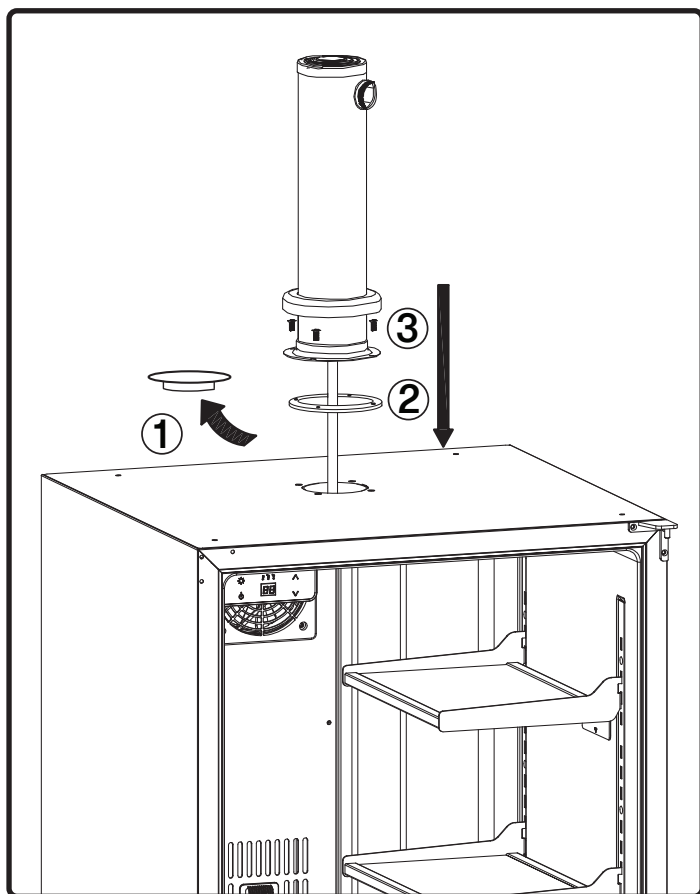


FIG. A

1. Retirez toutes les étagères et les composants emballés de l'intérieur du kegerator avant de continuer. Le kegerator peut être branché, mais assurez-vous qu'il est éteint avant de continuer.
2. Retirez le capuchon isolant en plastique noir du haut du fût (FIG. A1).

REMARQUE: Si vous configurez le kegerator comme un refroidisseur de boissons complet, laissez le capuchon isolant en place.

3. Placez le joint en caoutchouc noir, inclus avec le kit de robinet, sur le dessus du fût et alignez le joint avec les trous de vis (FIG. A2).
4. Guidez la ligne de bière à travers l'ouverture sur le dessus du kegerator. Fixez la tour de robinet au kegerator à l'aide des (4) vis M5 x 16 incluses (FIG. A3).

REMARQUE: Si vous installez un robinet double ou triple, appliquez les autocollants "Left Tap Label" et "Right Tap Label" inclus sur les conduites de bière concernées avant de monter la tour.

Installation du Kegerator

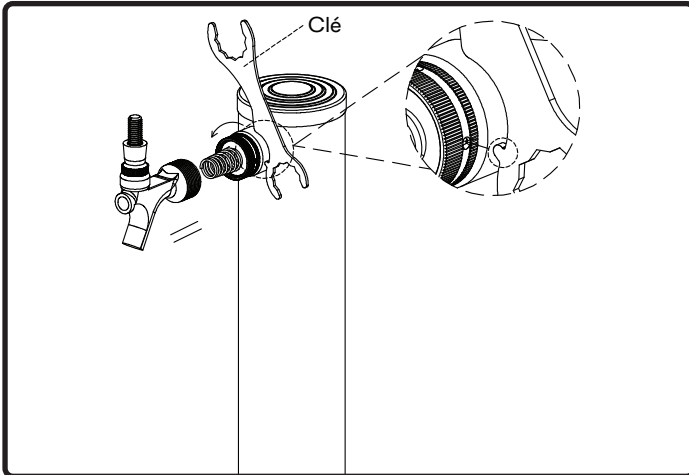


FIG. B

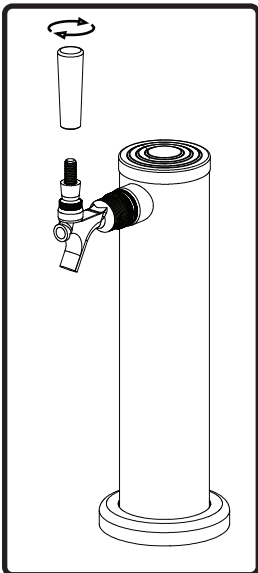


FIG. C

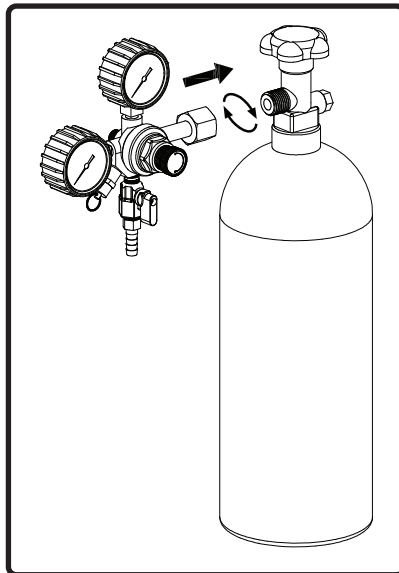


FIG. D

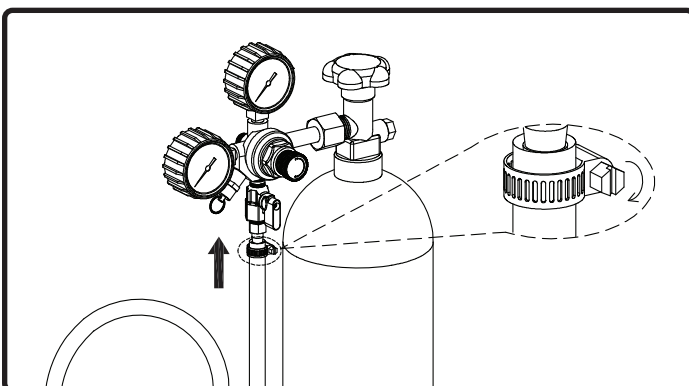


FIG. E

5. Fixez le robinet à la tour de robinet comme illustré à la FIG. B. Assurez-vous que le taraud est correctement aligné et tournez l'écrou à la main dans le sens inverse des aiguilles d'une montre. Serrez complètement à l'aide de la clé fournie.

6. Vissez la poignée du robinet sur le robinet illustré à la FIG. C

REMARQUE: Les poignées de robinet utilisent un filetage standard 3/8 po-16 UNC pour s'adapter aux poignées de robinet du marché secondaire.

7. Assurez-vous que la vanne manuelle du réservoir de CO₂ est fermée. Fixez le régulateur au réservoir de CO₂ rempli et serrez à la main l'écrou de connexion d'entrée (FIG. D). Utilisez une clé pour un quart de tour supplémentaire en veillant à ne pas trop serrer l'écrou.

8. Fixez la conduite de gaz au raccord cannelé du régulateur illustré à la FIG. E. Fixez à l'aide de la pince métallique fournie et serrez à l'aide d'un tournevis à tête plate.

9. Connectez le coupleur de fût au fût de bière, mais assurez-vous d'abord que la poignée du coupleur de fût est désengagée en position diagonale/supérieure. Reportez-vous à la FIG. F pour clarification. Insérez le coupleur de fût dans le fût de bière et tournez de 25° dans le sens des aiguilles d'une montre pour le verrouiller en place. N'enclenchez pas encore la poignée.

Instructions d'installation

KEGERATOR ET
REFROIDISSEUR DE BOISSONS

INTÉRIEUR ET EXTÉRIEUR

Installation du Kegerator

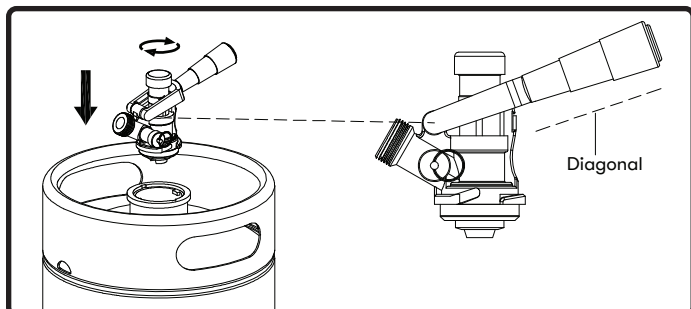


FIG. F

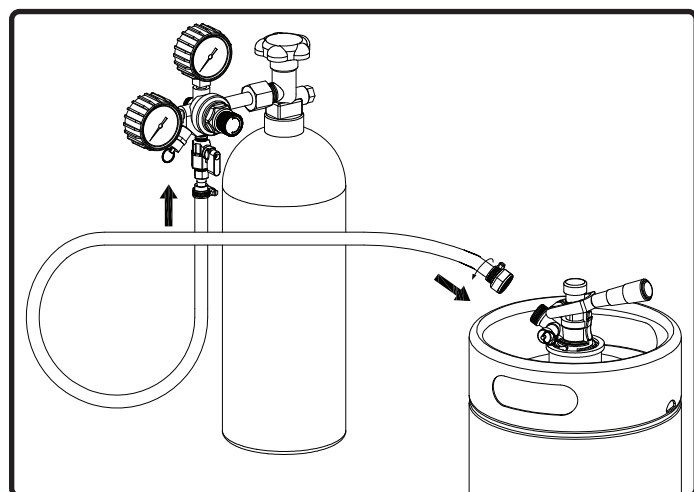


FIG. G

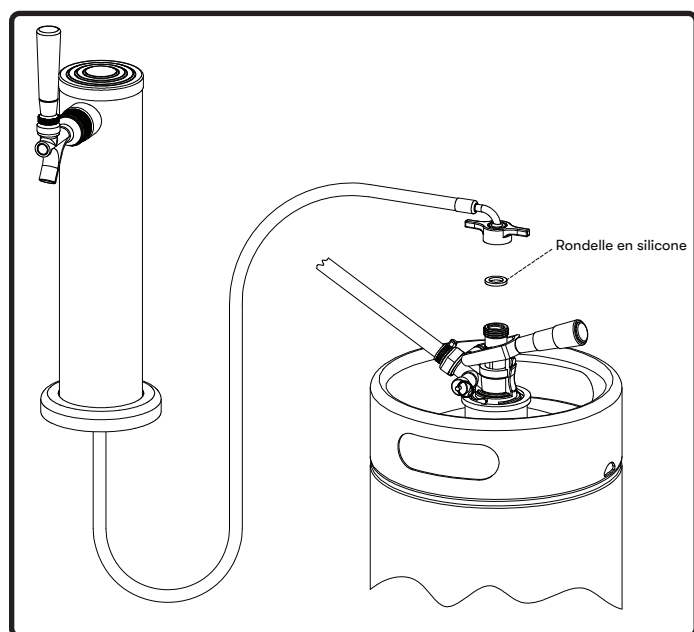


FIG. H

10. Fixez l'extrémité opposée de la conduite de gaz avec l'écrou fileté préinstallé au coupleur de fût (FIG. G). Serrez à l'aide de la clé fournie.

REMARQUE: Assurez-vous que le clapet anti-retour en silicone transparent se trouve à l'intérieur du coupleur de fût avant de fixer la conduite de gaz. Voir page 14 pour référence.

11. Placez une rondelle en silicone sur le dessus du coupleur de fût et connectez l'écrou fileté de la conduite de bière au coupleur (FIG. H). Serrez à l'aide de la clé fournie.

12. Tapotez le fût en tirant la poignée du coupleur de fût vers l'extérieur - loin du coupleur de fût et en la poussant vers le bas pour la verrouiller en position (FIG. I). Écoutez le "clac" de la poignée de tirage lorsqu'elle se déplace dans la position finale vers le bas et votre fût sera tapoté.

REMARQUE: Le fût doit être taraudé pour s'adapter au fût, sinon la poignée du coupleur de fût sera trop haute et empêchera le fût de s'adapter.

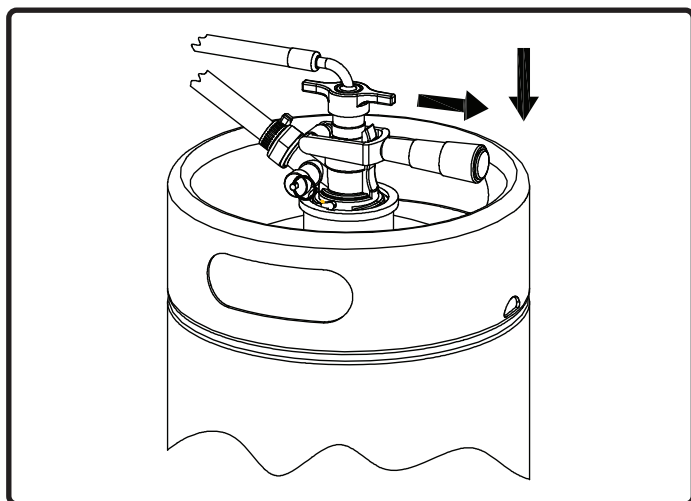


FIG. I

Installation du Kegerator

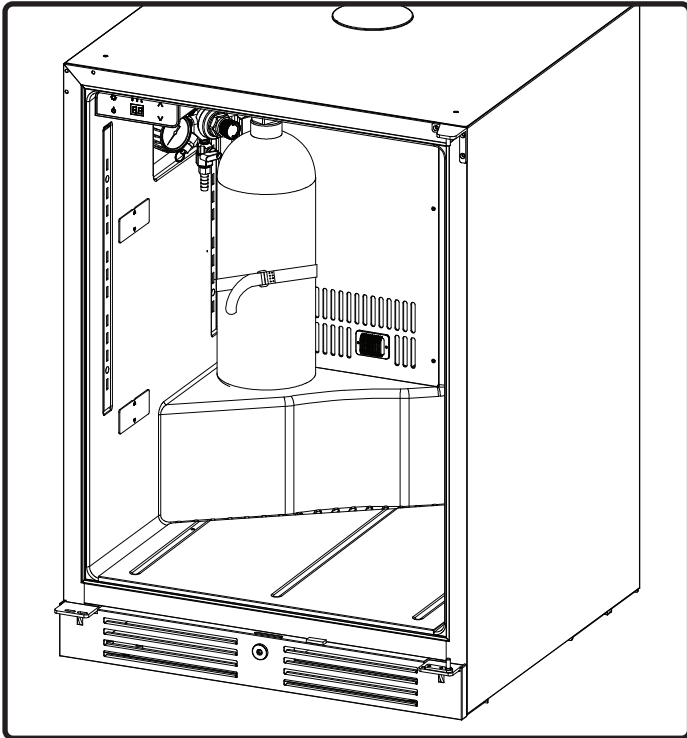


FIG. J

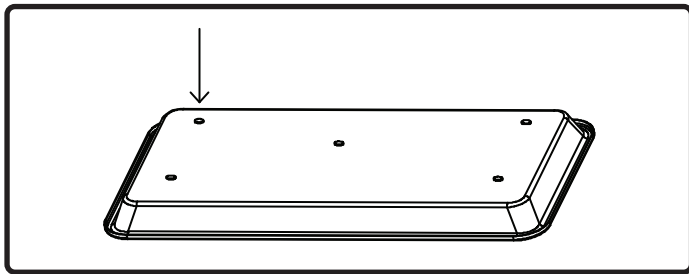


FIG. K

13. Calibrer le régulateur. Reportez-vous à la page 22 pour des instructions détaillées.
14. Placez le réservoir de CO₂ à la verticale dans le coin gauche du kegerator et fixez-le à l'aide de la bande Velcro illustrée à la FIG. J
15. Placez le fût de bière à l'intérieur du kegerator.
16. Allumez le kegerator et réglez-le à la température souhaitée. Nous vous recommandons d'attendre au moins 24 heures avant de distribuer de la bière pour permettre au fût d'atteindre la température et de se stabiliser.
17. Fixez (5) tampons en caoutchouc transparent sous le bac d'égouttage et placez le bac d'égouttement devant la tour du robinet sous le robinet (FIG. K).
18. Profitez de votre bière!

CONSEIL: Bien que le système de refroidissement de la conduite de bière aide à garder les conduites de bière au frais et à minimiser la mousse, il est important de tirer complètement sur la poignée du robinet lorsque vous versez votre bière. Ne pas tirer complètement sur la poignée du robinet entraînera un excès de mousse.

Étalonnage du régulateur

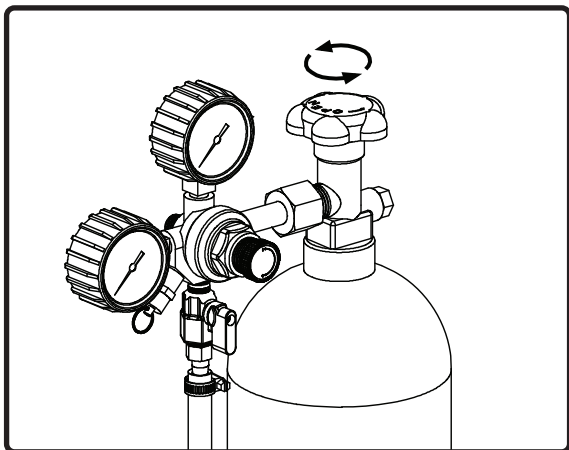


FIG. L

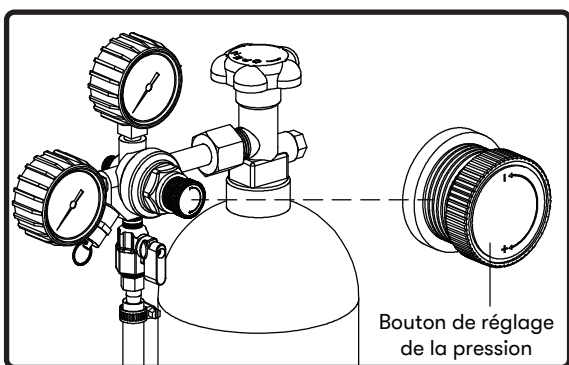


FIG. M

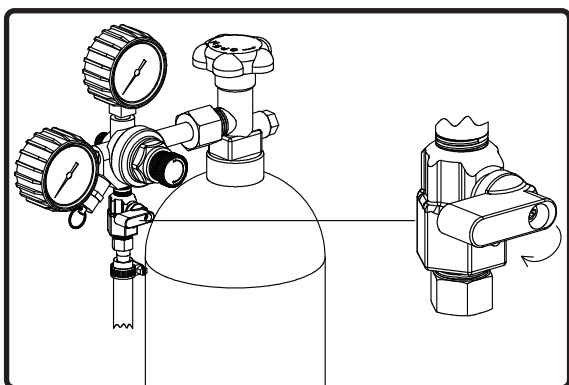


FIG. N

1. Avec la vanne d'arrêt du détendeur fermée (perpendiculaire à la tubulure), ouvrez complètement la vanne manuelle de la bouteille de CO₂ (FIG. L).
2. Tourner le bouton de réglage de la pression jusqu'à ce que la pression désirée s'affiche sur le manomètre basse pression (FIG. M). Nous vous recommandons de régler le régulateur entre 10 et 12 PSI pour démarrer et ajuster plus tard si nécessaire. Tournez le bouton dans le sens horaire pour augmenter la pression et dans le sens antihoraire pour diminuer la pression.

REMARQUE: D'autres conditions telles que l'altitude ou le type de bière peuvent nécessiter des ajustements supplémentaires.

3. Ouvrez la vanne d'arrêt sur le régulateur afin qu'elle soit parallèle à la tubulure (FIG. N).
4. Le coupleur de fût est conçu avec une soupape de surpression (PRV) comme illustré à la FIG. O. Tirez brièvement sur l'anneau du PRV pour permettre au gaz CO₂ de s'évacuer. Cela permettra au gaz CO₂ de s'écouler à travers le régulateur et aidera à obtenir une lecture plus précise sur le manomètre basse pression.

REMARQUE: Nous vous recommandons de suivre tout réglage du régulateur en tirant brièvement sur l'anneau PRV pour garantir une lecture de sortie précise. Vérifiez les fuites.

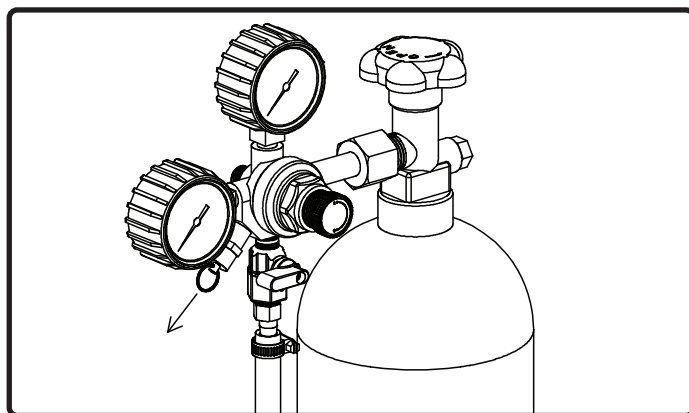
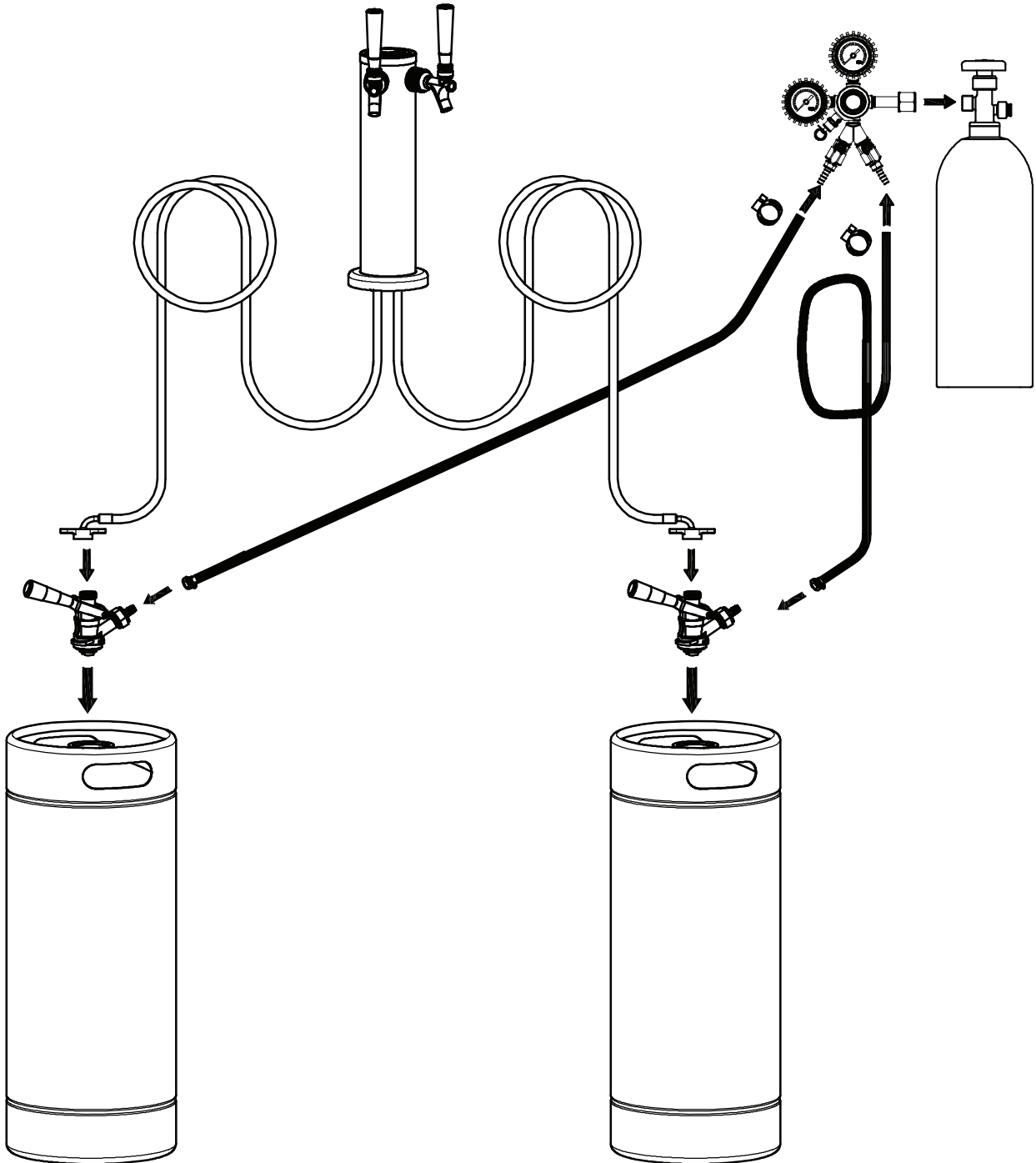


FIG. O

Installation du kit de prise double - PRKFK-02SSC



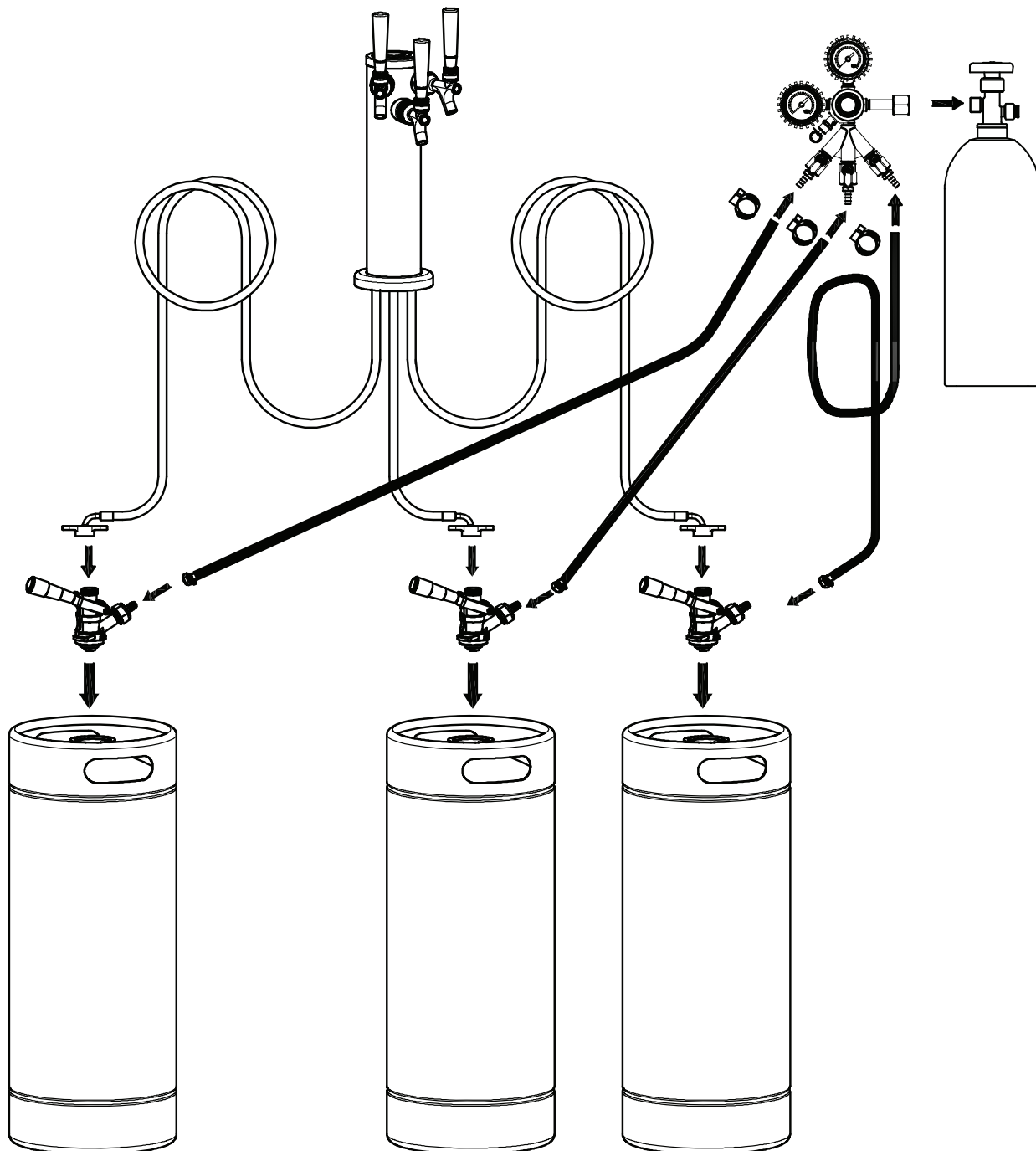
REMARQUE: L'espace requis pour l'installation d'une double tour empêchera l'installation d'étagères en verre.

Instructions d'installation

KEGATOR ET
REFROIDISSEUR DE BOISSONS

INTÉRIEUR ET EXTÉRIEUR

Installation du kit de prise triple - PRKFK-03SSC



REMARQUE: L'espace requis pour l'installation d'une triple tour empêchera l'installation d'étagères en verre.

Installation du kit intégré

Suivez les instructions ci-dessous pour installer le kegerator sous un comptoir. Retirez toutes les étagères et les composants emballés de l'intérieur du kegerator avant de continuer.

REMARQUE: Si vous utilisez le kegerator comme refroidisseur de boissons complet sans kit de robinet, il ne sera pas nécessaire de percer des trous dans le comptoir ou d'utiliser le kit intégré Zephyr Kegerator. Vous pouvez ignorer les instructions intégrées ci-dessous et simplement glisser le kegerator sous le comptoir.

Si vous prévoyez d'utiliser le kegerator avec un kit de robinet pour distribuer de la bière, suivez les instructions ci-dessous pour installer le kegerator à l'aide du kit intégré.

REMARQUE: Le kit intégré est conçu pour s'adapter à une épaisseur totale de comptoir comprise entre 1-1/4 po et 2-1/4 po.

1. Percez un trou de 3 po de diamètre dans le comptoir. Reportez-vous à la vue de dessus de l'ouverture de la ligne de bière à la page 14 pour les dimensions détaillées. Installez la bride de comptoir fileté sur le comptoir, en vous assurant que la direction de la flèche pointe vers l'extérieur du comptoir (FIG. L). Fixez à l'aide de la clé incluse sous le comptoir.

REMARQUE: Il est recommandé de faire appel à un professionnel pour vous aider à percer le trou, car différents matériaux de comptoir nécessiteront différents forets.

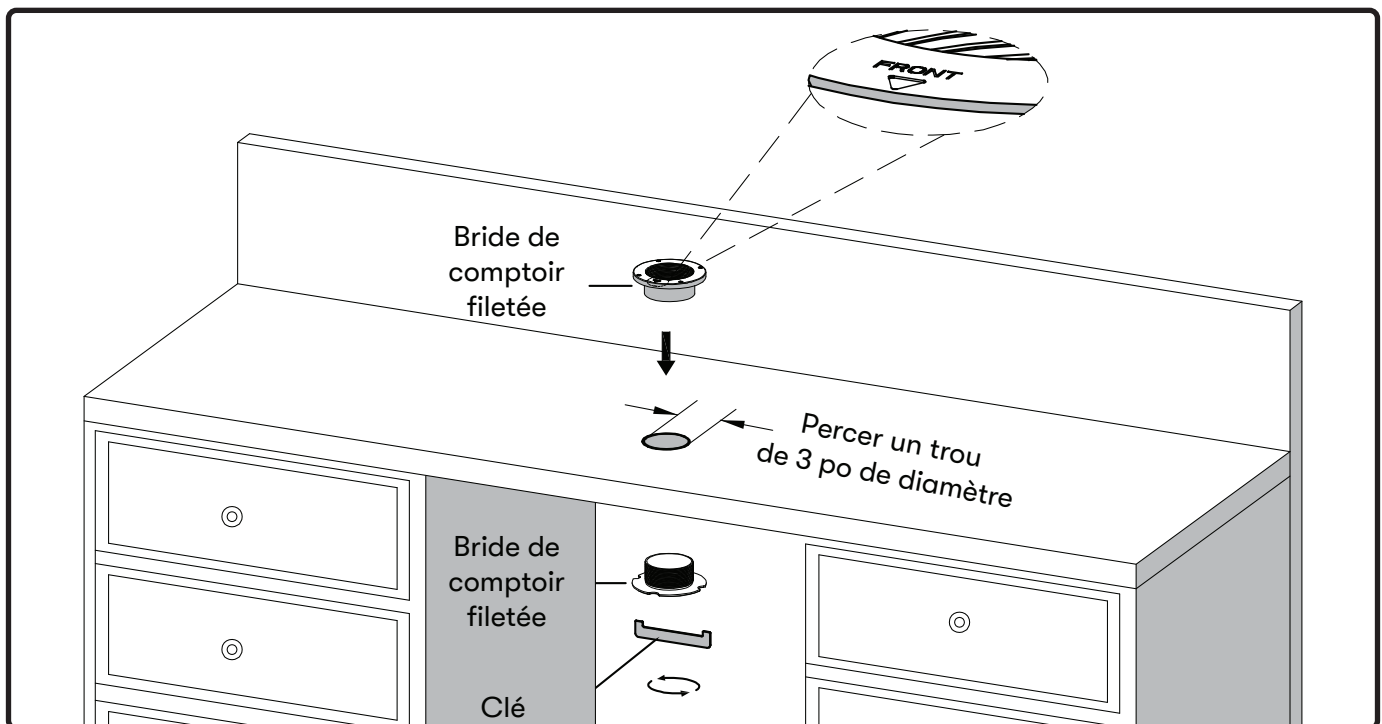


FIG. L

Instructions d'installation

KEGERATOR ET
REFROIDISSEUR DE BOISSONS

INTÉRIEUR ET EXTÉRIEUR

Installation du kit intégré

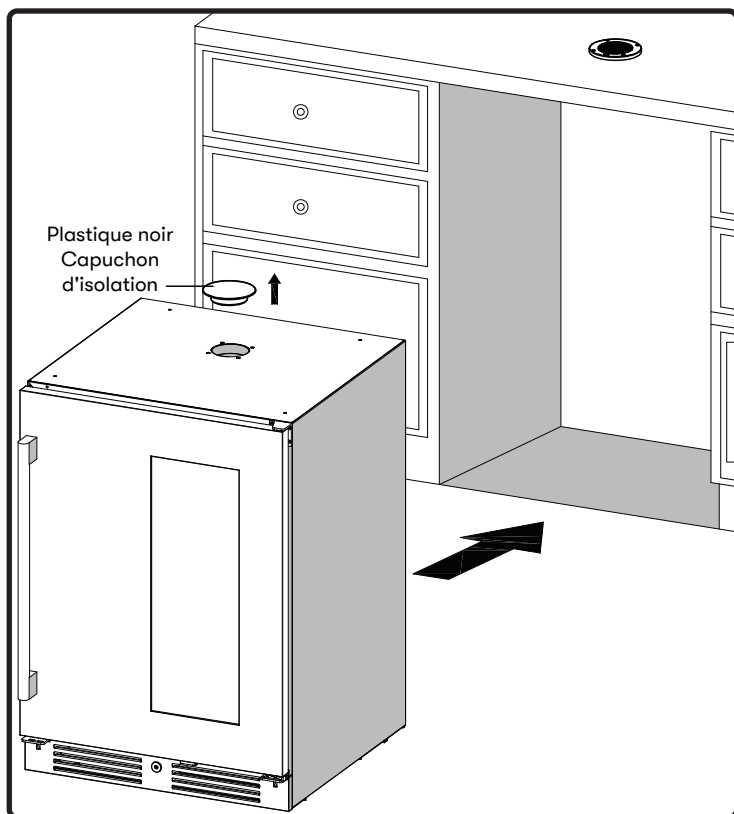


FIG. M

- Retirez le capuchon isolant en plastique noir du kegerator et faites glisser le kegerator sous le comptoir et branchez-le (FIG. M). Ne mettez pas encore le kegerator sous tension.
- Retirez le conduit d'air du système de refroidissement de la conduite de bière à l'intérieur du kegerator en retirant (2) vis (FIG. N).
- Installez le tube d'isolation réglable à travers le dessus du comptoir et dans le kegerator. Utilisez le joint du tube isolant pour fixer le tube isolant au plafond du kegerator à l'aide des (3) vis ST*12 incluses illustrées à la FIG. O.

REMARQUE: Si vous utilisez le kit intégré, il n'est pas nécessaire d'installer la bride en caoutchouc incluse avec le kit de robinet. La bride en caoutchouc qui fait partie du tube d'isolation réglable est suffisante pour créer une étanchéité.

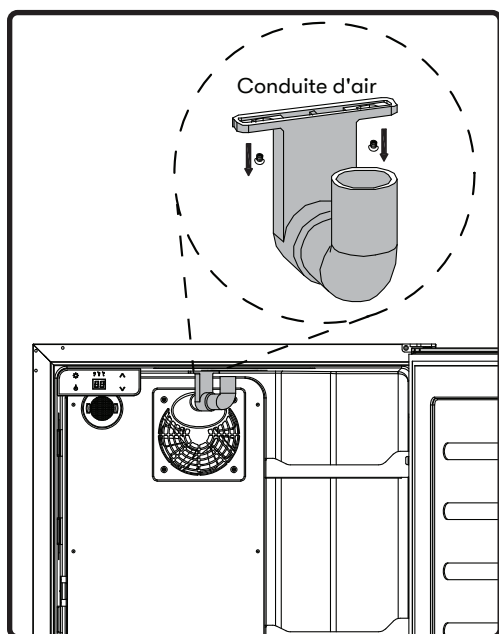


FIG. N

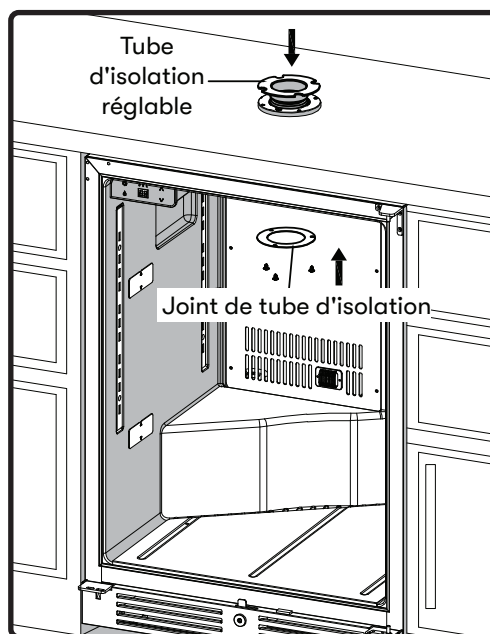


FIG. O

Installation du kit intégré

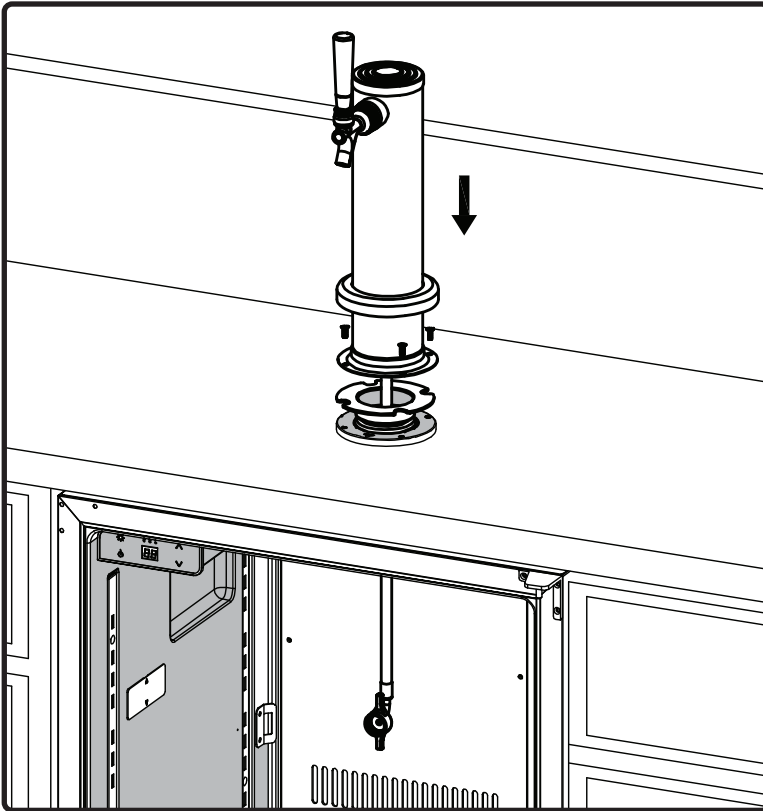


FIG. P

5. Installez la tour du robinet en guidant la ligne de bière à travers l'ouverture sur le dessus du kegerator. Fixez la tour de robinet à la bride filetée du comptoir à l'aide des (4) vis M5 x 8 fournies avec le kit intégré plutôt que des (4) vis M5 x 16 fournies avec le kit de robinet (FIG. P).

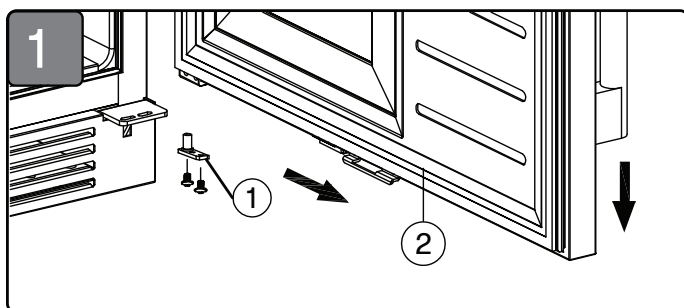
REMARQUE: Si vous installez un robinet double ou triple, appliquez les autocollants "Left Tap Label" et "Right Tap Label" inclus sur les conduites de bière concernées avant de monter la tour.

6. Réinstallez le conduit d'air en utilisant les (2) vis retirées précédemment.
7. Complétez l'assemblage du robinet en suivant les étapes 5 à 18 aux pages 19 à 21.

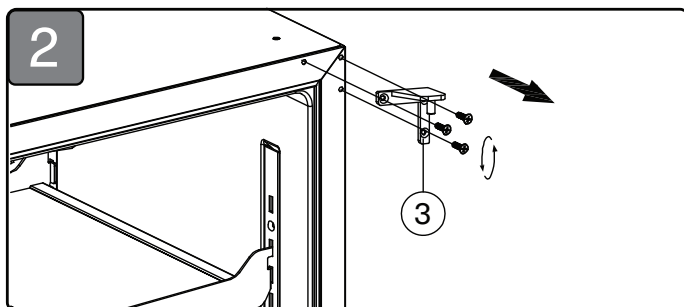
Instructions d'installation

Inverser l'ouverture de la porte de votre appareil

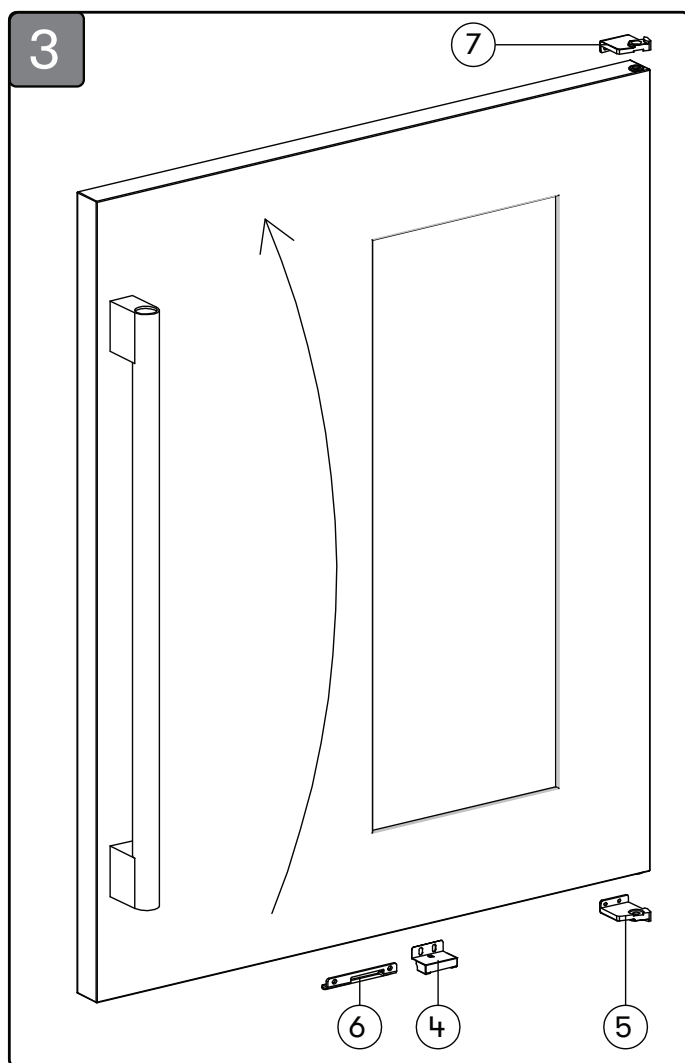
Si vous désirez inverser le sens d'ouverture de la porte, veuillez suivre les instructions ci-dessous. L'inversion sécuritaire de l'ouverture de la porte de votre appareil devrait nécessiter au moins deux personnes.



1. Déposer les 2 vis de l'axe inférieur de la porte (1). Retirez ensuite la porte (2) et retirez la plaque d'axe (1) de la porte.

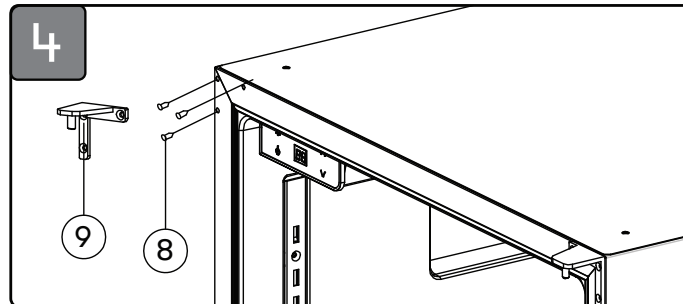


2. Retirez les 3 vis de charnière de la charnière supérieure droite (3) et retirez la charnière supérieure droite.

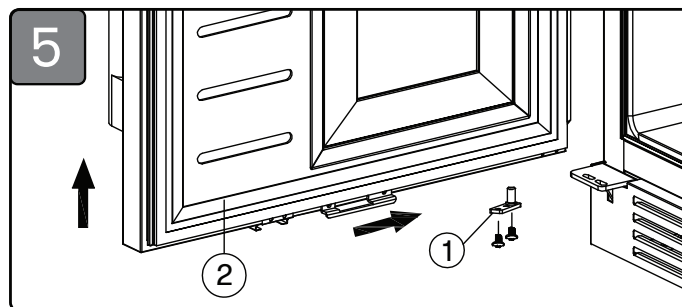


3. Retirez l'aimant de porte (4), la butée de porte (5) et le verrou de sécurité pour enfants (6) par 2 vis chacun du bas de la porte. Ensuite, installez l'aimant de porte, le nouveau butoir de porte (7) et le verrou de sécurité pour enfants sur le côté opposé du cadre de porte. Faites pivoter la porte de 180 degrés.

Inverser l'ouverture de la porte de votre appareil



4. Retirez les 3 clous décoratifs (8) du haut à gauche de l'armoire. Installez les clous décoratifs en haut à droite de l'armoire et installez la nouvelle charnière supérieure (9) du paquet de quincaillerie en haut à gauche de l'armoire avec 3 vis.



5. Réinstallez l'axe inférieur de la porte (1) et la porte (2) une fois correctement alignés.

Instructions d'installation

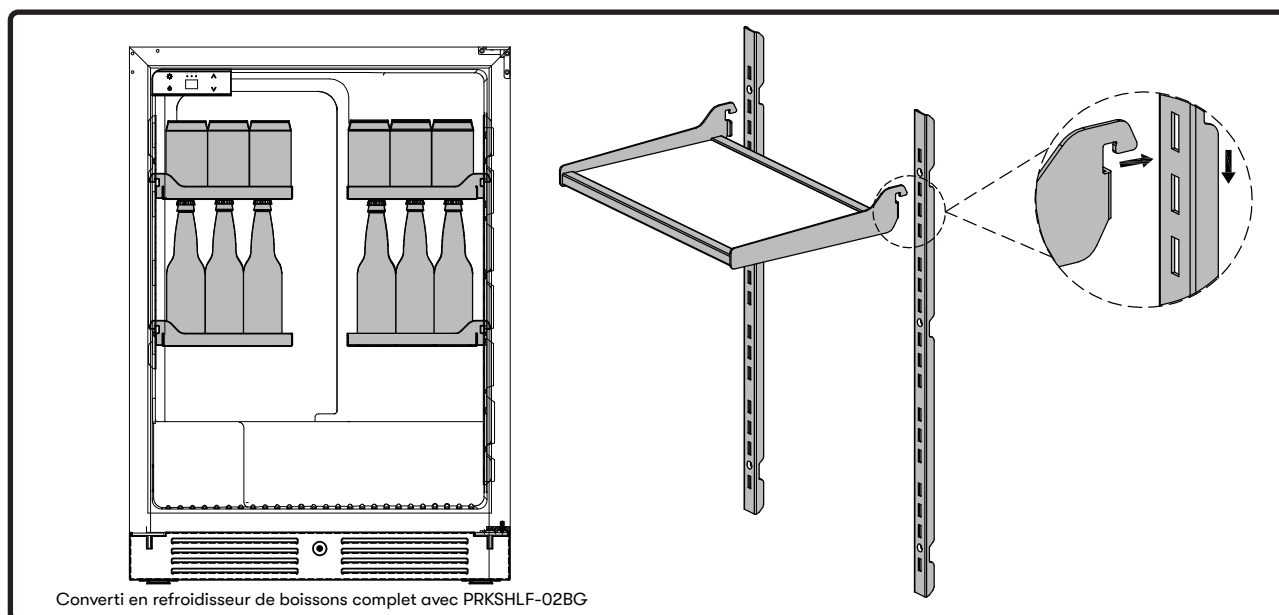
KEGERATOR ET
REFROIDISSEUR DE BOISSONS

INTÉRIEUR ET EXTÉRIEUR

- Pour éviter d'endommager la porte ou le joint de la porte, assurez-vous que la porte est ouverte à au moins 90 degrés lorsque vous retirez les étagères du compartiment des rails.
- La porte s'ouvre à un maximum de 135 degrés avec une butée de porte sur la charnière inférieure empêchant la porte de s'ouvrir davantage.

Installation des étagères en verre

Veuillez suivre les instructions ci-dessous pour installer correctement les étagères en verre. Le kegerator est livré avec deux étagères en verre pouvant contenir 15 bouteilles de bière ou 15 canettes de 12 oz chacune, cependant, si vous souhaitez installer plus d'étagères en verre pour augmenter votre capacité globale, le numéro de pièce est PRKSHLF-02BG.



1. Ouvrez complètement la porte du kegerator et déchargez tout contenu susceptible d'obstruer le processus d'installation de l'étagère en verre.
2. Les étagères en verre ont des crochets de montage qui peuvent se fixer à la fois sur le côté gauche et droit du kegerator. Placez les crochets dans les supports de montage comme indiqué sur la figure en glissant le crochet dans le trou du support, ce qui le fixera en place.
3. Rechargez tout contenu précédemment supprimé et fermez la porte du kegerator.

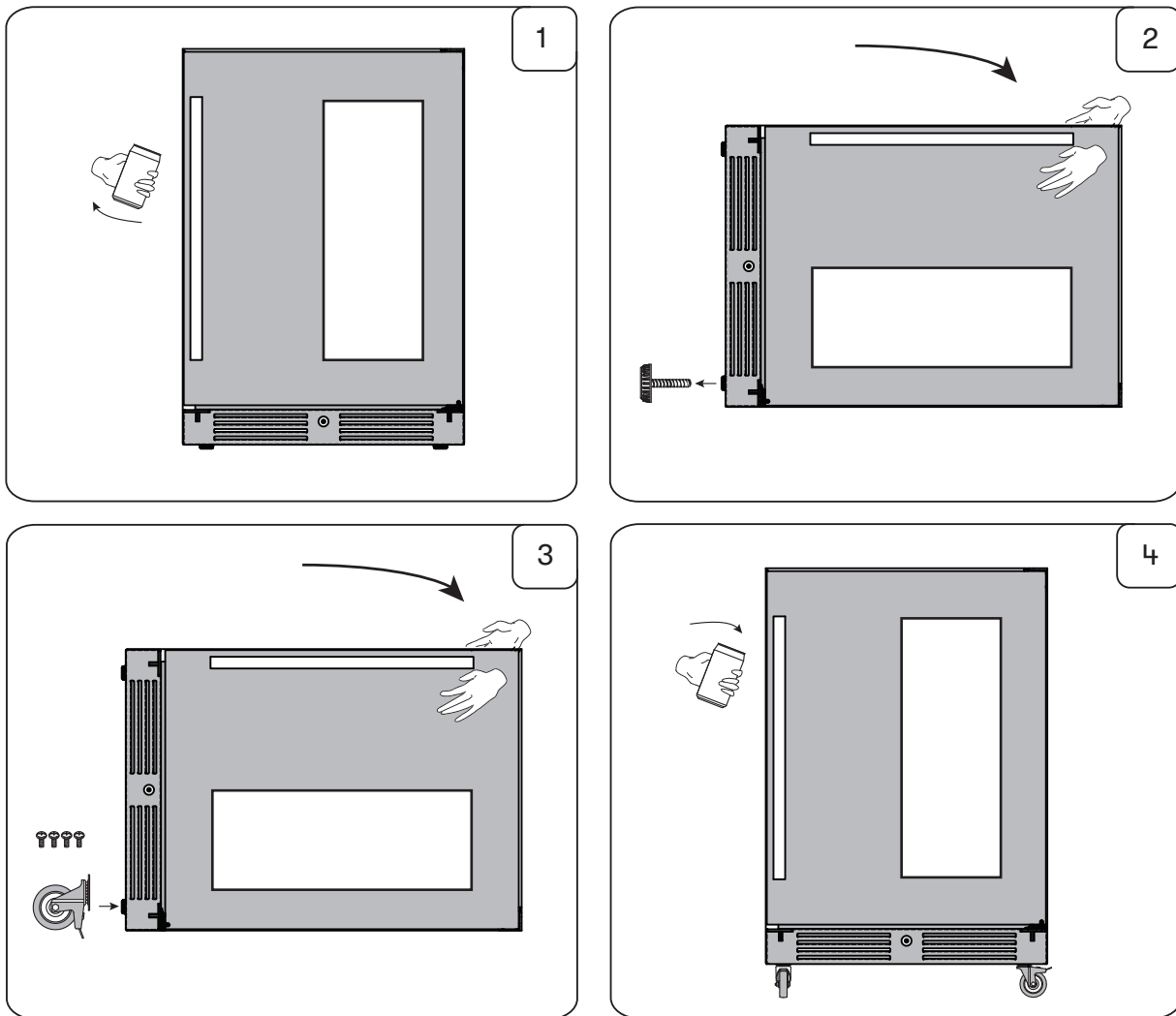
! ATTENTION !

La capacité de poids maximale de l'étagère en verre est de 26,45 lb. Le dépassement de ce poids peut endommager l'étagère.

Installation de l'accessoire de roue pivotante en option

Pour convertir l'unité fixe en unité mobile, veuillez suivre les instructions ci-dessous. L'installation de l'accessoire de roue pivotante en option doit nécessiter au moins deux personnes pour éviter les blessures.

Accessoire de roue pivotante en option # : PRCAST-C001



1. Videz tout le contenu du kegerator et fermez ensuite la porte. Couchez doucement l'appareil sur son côté droit.
2. Retirez les pattes de mise à niveau du fût en tournant les pattes de mise à niveau dans le sens inverse des aiguilles d'une montre. Effectuez cette étape pour chaque jambe de nivellement.
3. Installez une roulotte avec les 4 vis fournies. Effectuez cette étape pour chaque coin.
4. Remettez le kegerator en position verticale. Remettez tout le contenu dans le kegerator.

Fonctionnement de votre appareil

Si l'appareil est débranché, perdu de courant ou éteint, vous devez attendre 3 à 5 minutes avant de redémarrer l'appareil. Si vous tentez de redémarrer avant ce délai, l'appareil risque de ne pas démarrer et de ne pas conserver la dernière température réglée.

Utilisation du panneau de configuration



Le kegerator a une plage de température de 32°F-65°F.

Bouton d'alimentation

- Appuyez sur ce bouton et maintenez-le enfoncé pendant trois secondes pour allumer ou éteindre votre appareil. Lorsque l'appareil est allumé, le voyant R « Compresseur en marche » peut s'allumer pour indiquer que le compresseur interne est actif.

Augmenter la température

- Appuyez sur ce bouton pour augmenter la température par incréments d'un (1) degré. 65 °F est la température la plus élevée disponible sur cet appareil.

Diminuer la température

- Appuyez sur ce bouton pour diminuer la température par incréments d'un (1) degré. 32 °F est la température la plus basse disponible sur cet appareil.

Éclairage intérieur (PRKB24C01AG uniquement)

- Appuyez sur ce bouton pour faire défiler les différentes couleurs du panneau de commande et des lumières internes.

°C/°F (PRKB24C01AS-OD uniquement)

- Appuyez sur ce bouton pour basculer la température d'affichage entre Fahrenheit et Celsius.

PRKB24C01AG peut changer la température d'affichage en maintenant les boutons Augmenter et Diminuer la température en même temps pendant deux secondes.

REMARQUE: Le kegerator est équipé d'une fonction de mémoire de température. Si l'alimentation est soudainement coupée, la température et le réglage d'éclairage précédents seront sauvegardés et le refroidisseur reviendra à ce réglage une fois l'alimentation rétablie.



AVERTISSEMENT



Laisser des boissons à des températures de 32 °F ou moins pendant des périodes prolongées peut provoquer la rupture des bouteilles et des canettes.

Lumière interne

Le PRKB24C01AG est équipé de (5) lumières internes qui peuvent être réglées sur les couleurs Cloud White, Deep Blue ou Amber. PRKB24C01AS-OD a (1) lumière interne dans la couleur Cloud White.

Vous pouvez choisir d'afficher chaque couleur de lumière dans deux modes différents : le mode d'affichage et le mode automatique.*

Mode d'affichage

Les lumières internes resteront constamment allumées, que la porte soit ouverte ou fermée. Le mode d'affichage est une fonction personnalisée/définie par l'utilisateur, et non une fonction quotidienne habituelle. Le mode d'affichage n'est pas disponible pour PRKB24C01AS-OD.

Mode automatique

Les lumières internes s'allumeront chaque fois que la porte est ouverte et s'éteindront une fois la porte fermée. Cette fonction est déclenchée par un capteur situé sur l'évent avant, ce capteur permet au réfrigérateur de reconnaître quand la porte est ouverte ou fermée.

*Le mode par défaut est le mode automatique. Pour passer d'un mode à l'autre, appuyez sur le bouton d'éclairage intérieur et maintenez-le enfoncé pendant 3 secondes.

Alarme de porte ouverte

Après 3 minutes d'ouverture de la porte, une alarme retentit et l'affichage clignote avec 00.

Mode Sabbat

Le mode Sabbat désactive les réponses du système aux activités initiées par l'utilisateur et toutes les fonctions externes, y compris l'éclairage, l'affichage et les alarmes sonores. L'unité maintiendra toujours les températures internes et les points de consigne.

Pour activer ou désactiver le mode Sabbat, appuyez sur le bouton d'alimentation et appuyez simultanément deux fois sur le bouton d'augmentation de la température. L'éclairage intérieur et l'affichage des commandes s'éteignent jusqu'à ce que l'utilisateur désactive le mode Sabbat.

REMARQUE: Bien que l'affichage ne soit pas visible, les réglages de température restent actifs et préservent la température interne. Le mode Sabbat restera actif jusqu'à ce qu'il soit désactivé par l'utilisateur.

Fonctionnement de votre appareil

Mode de démonstration

Dans ce mode, le compresseur et les ventilateurs ne s'allument jamais mais toutes les autres fonctions restent activées. En mode de démonstration, le voyant « R » clignote lentement pour indiquer qu'il est en mode de démonstration.

Pour activer ou désactiver le mode de démonstration, maintenez le bouton d'alimentation enfoncé et appuyez deux fois sur le bouton de diminution de la température.

Alarme de température

Si la température intérieure est supérieure à 73 °F (23 °C), « HI » s'affiche sur le panneau de commande de température et l'alarme de température retentit en continu après une heure. Cela indique que la température intérieure est trop élevée. Si la température intérieure est inférieure à 23 °F (-5 °C), « LO » s'affiche sur le panneau d'affichage de la température et l'alarme de température retentit en continu après 15 minutes. Si l'une de ces situations se produit, veuillez consulter la section de dépannage pour obtenir de l'aide.

Pour le modèle d'extérieur, PRKB24C01AS-OD, la plage de température ambiante est comprise entre 50 °F (10 °C) et moins de 109 °F (43 °C). Pour le modèle d'intérieur, PRKB24C01AG, la plage de température ambiante est comprise entre 50 °F (10 °C) et 90 °F (32 °C). N'utilisez jamais le modèle d'intérieur à l'extérieur. Si la température ambiante devrait être inférieure à 50 degrés pendant plus de 24 heures, nous vous recommandons de débrancher l'appareil pour éviter tout dommage.



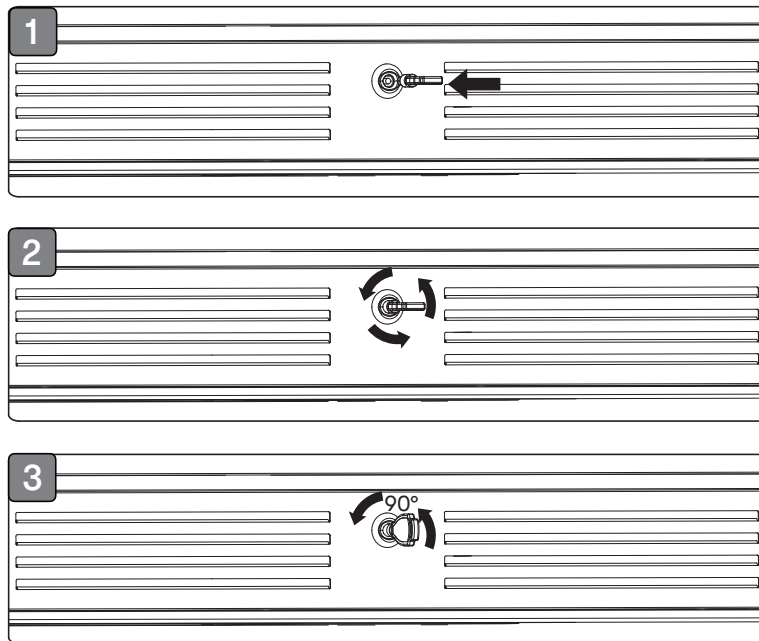
Décongélation

Le kegerator est conçu avec un système de dégivrage automatique. Cependant, sur des réglages plus froids, du givre peut s'accumuler. De plus, plus les conditions ambiantes sont humides, plus le givre peut s'accumuler. Gardez la porte fermée autant que possible et évitez de l'ouvrir inutilement pour minimiser l'accumulation de givre.

Si le givre empêche la porte de se fermer correctement, vous devrez peut-être éteindre l'appareil jusqu'à ce que le givre fonde (peut-être jusqu'à 24 heures). Utilisez une serviette absorbante douce pour sécher l'appareil.

Verrou de sécurité pour enfants

Le kegerator est doté d'un verrou de sécurité pour enfants conçu pour garder les boissons dans la glacière hors de portée des enfants. Au centre de l'évent avant, un trou de serrure sera visible. Pour verrouiller le kegerator, insérez la clé fournie dans le trou de la serrure et tournez la clé dans le sens antihoraire. Pour déverrouiller le kegerator, tournez la clé dans le sens des aiguilles d'une montre.



Fonction de verrouillage du pied

Avec l'accessoire de roue pivotante en option, PRCAS-C001, installé, le kegerator deviendra mobile. Chaque roue pivotante a un levier de verrouillage au pied pour empêcher le refroidisseur de bouger.

En appuyant sur le levier, la roue pivotante sera verrouillée en place. Effectuez cette action sur chaque roue pivotante pour sécuriser complètement l'unité. Pour déverrouiller le mécanisme de verrouillage, soulevez le levier de verrouillage du pied. Effectuez cette action sur chaque roulette pour que la glacière devienne mobile.

Sons normaux

Votre nouveau kegerator peut émettre des sons qui ne vous sont pas familiers. La plupart des nouveaux sons sont normaux. Les surfaces dures comme le sol ou les murs peuvent rendre les sons plus forts qu'ils ne le sont en réalité. Ce qui suit décrit les types de sons qui pourraient être nouveaux pour vous et ce qui peut les produire.

- ▶ Des bruits de cliquetis peuvent provenir de l'écoulement du réfrigérant ou de la conduite d'eau.
- ▶ Les articles stockés sur le dessus du refroidisseur de boissons peuvent également faire du bruit.
- ▶ Le compresseur à haut rendement peut émettre un son pulsé ou aigu.
- ▶ L'eau s'écoulant de l'évaporateur vers le bac à eau peut produire un bruit d'éclaboussures.
- ▶ À la fin de chaque cycle, vous pouvez entendre un gargouillement dû au fluide frigorigène circulant dans votre refroidisseur de boissons.
- ▶ Vous pouvez entendre de l'air être forcé sur le condenseur par le ventilateur du condenseur.

Nettoyage de l'appareil

Un nettoyage périodique et un entretien approprié assureront l'efficacité, des performances optimales et une longue durée de vie.

Nettoyage intérieur

1. Débranchez l'alimentation de l'unité.
2. Ouvrez la porte et retirez le contenu et les étagères.
3. Avec un chiffon propre, essuyez l'intérieur de l'appareil.
4. Réinsérez les étagères et les boissons.
5. Rebranchez l'alimentation de l'unité.

Nettoyage extérieur

L'extérieur de l'appareil est en acier inoxydable. L'appareil peut être nettoyé avec un nettoyant pour acier inoxydable. Appliquez un nettoyant non abrasif, tel qu'un gommage doux ou une éponge, humidifiez-le et frottez la zone dans le même sens que le grain de l'acier inoxydable. Utilisez un nettoyant pour acier inoxydable et suivez les instructions du fabricant. N'utilisez jamais d'agent de nettoyage abrasif ou caustique car cela pourrait endommager l'extérieur ou provoquer une décoloration.

Nettoyage des composants exposés à la bière

Un nettoyage fréquent des composants qui sont souvent exposés à la bière empêchera une bière au mauvais goût causée par l'accumulation de dépôts et de bactéries. Le nettoyage de ces composants éliminera les résidus de bière du robinet et des lignes de bière, gardant votre bière au goût frais.

Nous vous recommandons d'utiliser le kit de nettoyage Zephyr Kegerator Beer Line, PRKCLN-001, pour nettoyer vos lignes de bière toutes les 6 semaines ou chaque fois que le fût de bière est remplacé pour conserver une bière au goût frais.

Au fil du temps, un nettoyage en profondeur des lignes de bière est nécessaire en raison de l'accumulation. Veuillez suivre les instructions ci-dessous pour nettoyer soigneusement les conduites de bière.

1. Fermez la vanne manuelle CO₂ et supprimez toute la pression avec la soupape de surpression.
2. Désengagez le coupleur de fût. Retirez la conduite de gaz et la conduite de bière. Manipulez avec soin pour éviter de renverser de la bière résiduelle.
3. Retirez le robinet de la tour de robinet à l'aide de la clé fournie.
4. Faire tremper le coupleur de fût et le robinet dans de l'eau tiède avec une solution de nettoyage de conduite de bière pendant 30 minutes. Remonter le tout une fois nettoyé.

Nettoyage du bac d'égouttement

S'il y a une mauvaise odeur autour du kegerator, elle provient probablement du bac d'égouttage. Le bac d'égouttement recueille la bière résiduelle du robinet lors du versement et, s'il n'est pas nettoyé périodiquement, attirera les bactéries et les moisissures indésirables. Au fil du temps, ces microbes contribuent aux odeurs désagréables. Nous vous suggérons d'utiliser ces options ci-dessous :

- ▶ Rincez le bac d'égouttage après chaque utilisation.
- ▶ Nettoyez le bac d'égouttement avec du savon et de l'eau tiède après quelques jours d'utilisation.
- ▶ Placer le bac d'égouttage dans le lave-vaisselle et le faire fonctionner.

REMARQUE: Attendre quelques secondes de plus après avoir versé votre bière aidera à réduire la quantité de gouttes dans votre plateau.

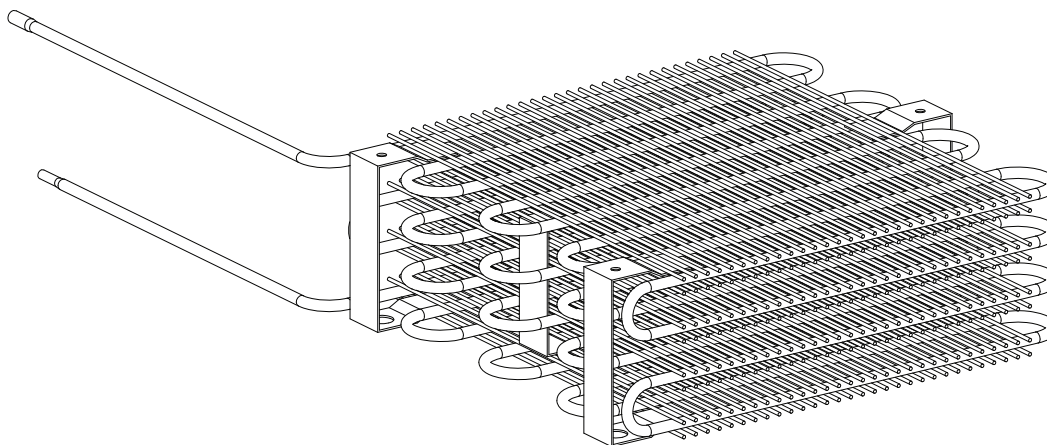
Nettoyage du condenseur

Pour maintenir l'efficacité opérationnelle, gardez la grille avant exempte de poussière et de peluches. Nettoyez le condenseur si nécessaire. Selon les conditions environnementales, un nettoyage plus ou moins fréquent peut être nécessaire. N'utilisez aucun type de nettoyant sur le condenseur. Le condenseur peut être nettoyé à l'aide d'un aspirateur, d'une brosse douce ou d'air comprimé.

REMARQUE: Il est recommandé de nettoyer le condenseur au moins une fois tous les six mois.



1. Retirez la grille avant.
2. Nettoyez le serpentin du condenseur à l'aide d'un aspirateur, d'une brosse douce ou d'air comprimé.
3. Installez la grille avant.



Panne électrique

La plupart des pannes de courant sont corrigées en quelques heures et ne devraient pas affecter la température de votre appareil si vous minimisez le nombre d'ouvertures de la porte. Si l'alimentation doit être coupée pendant une longue période, vous devez prendre les mesures appropriées pour protéger votre contenu.

Déplacer votre Kegeerator

- ▶ Supprimez tous les éléments.
- ▶ Fixez solidement avec du ruban adhésif tous les éléments mobiles (étagères) à l'intérieur de votre appareil.
- ▶ Tournez le pied réglable à fond (dans le sens des aiguilles d'une montre) vers la base pour éviter tout dommage.
- ▶ Si des roulettes sont installées, desserrez le frein de chaque roulette avant de tenter de déplacer l'appareil.
- ▶ Fermez la porte avec du ruban adhésif.
- ▶ Assurez-vous que l'appareil reste bien en place en position verticale pendant le transport. Protégez également l'extérieur de l'appareil avec une couverture ou un article similaire.

Conseils d'économie d'énergie

- ▶ L'appareil doit être situé dans la zone la plus fraîche de la pièce, loin des appareils produisant de la chaleur et à l'abri de la lumière directe du soleil.
- ▶ Assurez-vous que l'unité est suffisamment ventilée. Ne couvrez jamais les bouches d'aération.
- ▶ N'ouvrez la porte que le temps nécessaire.

Non-utilisation prolongée

Les étapes suivantes sont recommandées pour les périodes de non-utilisation prolongées, telles que les vacances, les jours fériés ou les arrêts prolongés. Si l'appareil est exposé à des températures de 40°F (5°C) ou moins, les étapes ci-dessous doivent être suivies.

1. Supprimez tout le contenu de l'appareil.
2. Débranchez la fiche électrique de la prise et laissez-la débranchée.
3. S'il y a de la glace sur l'évaporateur, laissez la glace fondre naturellement.
4. Nettoyez et séchez l'intérieur de l'appareil. Assurez-vous que toute l'eau a été retirée de l'appareil.
5. La porte doit rester ouverte pour éviter la formation de moisissures et de mildiou. Ouvrez la porte à un minimum de 2 po pour assurer la ventilation nécessaire.

-
- ▶ **Quel type de coupleur de fût est inclus avec le kit de robinet Zephyr ?**
 - ▶ Les kegerators Zephyr incluent un coupleur de style “D” qui est le coupleur le plus couramment utilisé sur les bières nord-américaines.
 - ▶ **A quelle température dois-je régler mon kegerator ?**
 - ▶ Cela dépend du style de bière. Les bières plus légères doivent être servies entre 34 °F et 38 °F, tandis que les bières plus lourdes et plus foncées sont généralement mieux servies entre 40 °F et 44 °F. Cependant, tout dépend de votre palette car certaines personnes préfèrent leurs bières froides et d’autres les préfèrent plus chaudes.
 - ▶ **Combien de temps faut-il pour qu’un nouveau fût de bière atteigne la température souhaitée ?**
 - ▶ De nombreux facteurs déterminent cela, par exemple si le fût a été maintenu au froid. Nous vous recommandons de laisser le fût de bière reposer dans le kegerator jusqu’à 24 heures. Non seulement cela permet au fût d’atteindre la température, mais cela lui donne également le temps de se stabiliser et de réduire les problèmes de mousse.
 - ▶ **Combien de temps la bière restera-t-elle fraîche dans un fût ?**
 - ▶ En règle générale, 20 à 120 jours selon le type de bière et si elle est conservée à la bonne température.
 - ▶ Les IPA et autres bières “houblonnées” ne durent que quelques semaines alors que les bières légères peuvent durer quelques mois.
 - ▶ **Combien y a-t-il de bières dans un fût ?**
 - ▶ Fût à six fûts - 5,16 gal, 55 bières de 12 oz
 - ▶ Fût quart de baril - 7,75 gal, 82 bières de 12 oz
 - ▶ Fût demi-tonneau - 15,5 gal, 165 bières de 12 oz
 - ▶ **Combien de fûts peuvent être distribués à partir d’un réservoir de CO₂ de 5 lb ?**
 - ▶ Fût à six fûts - 13 à 16 fûts
 - ▶ Fût quart de baril - 9 à 11 fûts
 - ▶ Fût demi-tonneau - 5 à 6 fûts
 - ▶ **À quelle fréquence dois-je nettoyer les conduites de bière ?**
 - ▶ A chaque changement de fût ou toutes les 6 semaines.
 - ▶ **Comment résoudre les fuites de CO₂ ?**
 1. Mettez le régulateur sous pression pour isoler la fuite en tournant la valve du réservoir de CO₂ dans le sens antihoraire pour allumer le réservoir.
 2. Si l’aiguille du manomètre haute pression bouge, c’est une bonne indication que vous recevez une lecture. Vous devriez recevoir une lecture entre 500 et 1 000 PSI, selon la température de votre réservoir, la température ambiante et l’altitude. Si l’aiguille bouge, c’est une bonne indication que vous recevez une lecture.
 3. Mettez la pression du côté basse pression (c’est la ligne qui pousse le CO₂ vers vos fûts) en tournant le bouton de réglage de la pression sur le régulateur dans le sens des aiguilles d’une montre jusqu’à ce que vous receviez une lecture de 10 PSI.

4. Une fois que le régulateur est réglé sur 10 PSI, fermez les vannes qui envoient du gaz hors du régulateur en les tournant de 90 degrés.
5. Éteignez votre réservoir de CO₂ en tournant la valve dans le sens des aiguilles d'une montre.
6. Vérifiez votre manomètre pour voir si la douleur s'est déplacée du tout.
 - ▶ S'il baisse, vous avez une fuite quelque part entre les vannes d'arrêt et le réservoir.
 - ▶ Vérifiez d'abord la connexion entre le réservoir de CO₂ et le régulateur. L'endroit le plus courant pour trouver une fuite est à cet endroit. Il peut être facilement fixé en serrant la connexion avec une clé.
 - ▶ Si vous avez une fuite dans le régulateur, vous pouvez la réparer avec du ruban téflon ou serrer la connexion avec une clé. Assurez-vous de n'utiliser que du ruban téflon sur une connexion à filetage conique (NPT). Il comblera les espaces entre la connexion et empêchera les fuites.
 - ▶ Si l'aiguille ne descend pas et que votre régulateur maintient la pression, laissez le système reposer pendant 15 à 20 minutes et le retour pour voir si l'aiguille a bougé. Cette méthode détectera toute petite fuite que vous pourriez avoir dans votre système.
 - ▶ Si votre aiguille tombe, il se peut que vous ayez une petite fuite dans votre détendeur. Serrer la connexion avec une clé.
 - ▶ Si votre aiguille ne tombe toujours pas, ouvrez vos vannes de régulation une à la fois pour chaque ligne de bière. Si l'aiguille tombe après l'ouverture de la valve, vous saurez que cette ligne ou ce tube particulier a une fuite. De plus, vous saurez que la fuite se produit entre la vanne d'arrêt et le fût.
7. Maintenant que vous connaissez l'emplacement général de la fuite, pour trouver l'emplacement précis de la fuite, vous devez remettre la ligne sous pression en rallumant le réservoir de CO₂.
8. Mélanger une solution de savon à vaisselle liquide avec l'eau dans un flacon pulvérisateur. Vaporisez généreusement toutes les connexions de la zone de fuite suspectée, y compris toutes les connexions filetées et les conduites.
9. S'il y a une fuite, il commencera à bouillonner pour indiquer une fuite à cet endroit, lorsque vous vaporisez les connexions.
 - ▶ Si la fuite se situe au niveau du raccord, serrez le raccord avec une clé.
 - ▶ Si la fuite se trouve sur un tuyau, coupez la section endommagée ou remplacez-la par un nouveau tuyau.
 - ▶ Si la fuite se situe au niveau du raccord du coupleur du fût, serrez jusqu'à ce qu'il soit bien ajusté. Si le clapet anti-retour en silicone du coupleur est endommagé, remplacez-le par la pièce de rechange de votre sac de pièces de rechange.

Problème éventuel	Cause possible	Solutions
L'appareil ne fonctionne pas.	Pas branché.	Assurez-vous que l'appareil est branché et que la prise de courant est sous tension.
	L'appareil est éteint.	Allumez l'appareil.
	Le disjoncteur s'est déclenché ou a un fusible grillé.	Remplacez le fusible cassé ou réinitialisez le disjoncteur.
	Le mode Sabbat peut être activé.	Consultez la section Fonctionnement de votre appareil et vérifiez si le mode Sabbat est désactivé.
L'appareil n'est pas assez froid.	Le réglage de la commande de température est trop élevé.	Réglez la température réglée.
	L'environnement externe peut nécessiter un réglage plus élevé.	Gardez l'appareil à l'abri du soleil ou d'autres sources de chaleur.
	La porte est ouverte trop souvent ou pendant de longues périodes.	Fermez bien la porte et n'ouvrez pas la porte trop souvent ou pendant une longue période.
	Le joint de la porte n'est pas correctement scellé.	Assurez-vous que le joint de la porte n'est pas desserré.
	Le mode de démonstration peut être activé.	Consultez la section Fonctionnement de votre appareil et vérifiez si le mode Démonstration est désactivé.
	La glacière n'a pas une ventilation suffisante.	Lisez et suivez les « Exigences de dégagement pour l'installation » dans la section Instructions d'installation.
	Le refroidisseur a un débit d'air restreint en raison d'un stockage trop important.	Ouvrez l'espace dans l'armoire pour permettre la circulation de l'air.
	Si la température extérieure dépasse 115 °F, l'appareil peut ne pas fonctionner de manière optimale et affectera le refroidissement.	Placez la glacière dans un environnement où la température est supérieure à 50 °F et inférieure à 115 °F.
Le corps de l'appareil est électrisé.	L'appareil n'est pas correctement mis à la terre.	Contactez votre électricien local pour tester votre système de mise à la terre électrique.
La porte ne se ferme pas correctement.	L'appareil n'est pas de niveau.	Assurez-vous que l'appareil est sur une surface plane.
	Le joint de la porte n'est pas installé correctement.	Assurez-vous que le joint de la porte est correctement installé.
	Le joint est sale.	Nettoyez le joint de la porte.
	Les étagères sont hors de position.	Installez les étagères correctement.

Problème éventuel	Cause possible	Solutions
L'appareil s'allume et s'éteint fréquemment.	La température ambiante est plus élevée que la normale.	Faites fonctionner le réfrigérateur à la température ambiante appropriée.
	Le joint de la porte n'est pas correctement scellé.	Assurez-vous que le joint de la porte n'est pas desserré.
	La porte est ouverte trop souvent ou pendant de longues périodes.	Fermez bien la porte et n'ouvrez pas la porte trop souvent ou pendant une longue période.
	La glacière n'a pas une ventilation suffisante.	Lisez et suivez les « Exigences de dégagement pour l'installation » dans la section Instructions d'installation.
	La porte n'est pas complètement fermée	Assurez-vous que la porte est complètement fermée.
Du givre se forme dans l'appareil.	L'environnement est trop humide.	L'unité utilise un système de « dégivrage automatique », dans certaines conditions, un dégivrage manuel peut être nécessaire. Si du givre s'accumule, vous pouvez essayer de faire fonctionner le réfrigérateur à une température plus élevée, en minimisant le nombre de fois que vous ouvrez la porte ou en débranchant l'appareil pour permettre au givre de fondre.
	La température ambiante est trop basse.	
	La porte est ouverte trop souvent.	
L'appareil fait trop de bruit.	Le bruit de cliquetis peut provenir de l'écoulement du réfrigérant, ce qui est normal. À la fin de chaque cycle, vous pouvez entendre des gargouillements causés par le flux de réfrigérant dans l'appareil.	Il est normal qu'à la fin de chaque cycle de refroidissement, vous entendiez des bruits de cliquetis ou de gargouillis causés par le flux de réfrigérant dans l'appareil. Le compresseur à haut rendement peut émettre un son pulsé ou aigu.
	La contraction et l'expansion des parois intérieures peuvent provoquer des bruits de craquement et de craquement.	Certains bruits de claquement ou de craquement sont normaux. Ils sont causés par la dilatation et la contraction des parois intérieures dues aux changements de température.
	L'appareil n'est pas de niveau ou touche un autre appareil.	Assurez-vous que la glacière est de niveau et qu'elle n'est pas en contact avec un autre appareil ou un meuble.

Problème éventuel	Cause possible	Solutions
La bière est mousseuse au moment de la verser.	La poignée du robinet n'est pas complètement tirée.	Tirez complètement sur la poignée du robinet.
	La bière est chaude.	Laissez les fûts reposer dans le kegerator pendant au moins 24 heures.
	Il y a une pression de CO ₂ excessive.	Abaissez et ajustez la pression de CO ₂ entre 10 et 12 PSI.
	Les lignes de bière sont anciennes.	Remplacez les conduites de bière ou nettoyez la conduite de bière.
	Le robinet est bouché.	Nettoyez le robinet.
La bière est trouble et brumeuse au moment de la verser.	La température est trop basse, ce qui entraîne une brume froide.	Augmentez la température du kegerator.
	Le fût a quelque chose de chaud dessus.	Retirez tout élément qui n'est pas froid du fût.
La bière est plate au moment du versement.	La poignée du robinet n'est pas complètement tirée.	Tirez complètement sur la poignée du robinet.
	Les verres dans lesquels la bière est versée sont gras.	Lavez soigneusement les verres après chaque utilisation et laissez sécher à l'air. Ne pas essuyer à sec.
	Il n'y a pas assez de pression de CO ₂ .	Remplir le réservoir de CO ₂ s'il est vide. Vérifiez la valve du réservoir de CO ₂ en vous assurant qu'elle est ouverte. Vérifiez s'il y a des obstructions dans les conduites de gaz. Vérifiez la vanne d'arrêt du régulateur en vous assurant qu'elle est complètement ouverte. Si le PSI est trop bas, augmentez la pression de CO ₂ entre 10 et 12 PSI.
La bière est mauvaise ou a mauvais goût.	La ligne de bière ou le robinet est sale.	Nettoyez la ligne de bière et tapotez avec le kit de nettoyage de ligne de bière, PRKCLN-001.
	Les conduites de gaz sont sales.	Remplacez les conduites de gaz si elles semblent contaminées.
	La bière est vieille.	Remplacez le fût par de la bière fraîche.

Liste des pièces et accessoires

KEGERATOR ET
REFROIDISSEUR DE BOISSONS

INTÉRIEUR ET EXTÉRIEUR

La description	Numéro d'article
Pièces de rechange	
Filtre à charbon de rechange	ZOF-C004
Accessoires optionnels	
Kit de robinet unique	PRKFK-01SSC
Kit de robinet double	PRKFK-02SSC
Kit de robinet triple	PRKFK-03SSC
Kit refroidisseur de boissons, 2 étagères	PRKSHLF-02BG
Boisson Garde-corps	PRKRAIL-0124SS
Kit de nettoyage de ligne de bière	PRKCLN-001
Roulettes	PRCAST-C001
Poignée contemporaine, acier inoxydable	PRHAN-C101
Poignée contemporaine, or brossé	PRHAN-C102
Poignée contemporaine, noir mat	PRHAN-C104

Pour commander des pièces, visitez-nous en ligne à <http://store.zephyronline.com>.

REMARQUE: Une liste détaillée des matériaux et des instructions sera fournie par accessoire ou kit.

Zephyr Ventilation, LLC (appelé aux présentes « nous ») garantit au premier acheteur (appelé aux présentes « vous ») des produits Zephyr (les « produits ») que ces produits sont exempts de défauts de matériau et de fabrication, comme suit :

Garantie limitée de cinq ans sur le compresseur : Pour une période de cinq ans à partir de la date d'achat originale des produits, nous fournirons sans frais les pièces de remplacement du compresseur qui ont cessé de fonctionner en raison d'un défaut de fabrication, sous réserve des exclusions et limites énumérées ci-dessous. Nous pouvons choisir, à notre discrétion exclusive, de réparer ou de remplacer les pièces avant de décider de remplacer les produits.

Garantie limitée de deux ans sur les pièces : Pour une période de deux ans à partir de la date d'achat originale des produits, nous fournirons sans frais les produits ou les pièces de remplacement (hormis les ampoules DEL, s'il y a lieu) qui ont cessé de fonctionner en raison d'un défaut de fabrication, sous réserve des exclusions et limites énumérées ci-dessous. Nous pouvons choisir, à notre discrétion exclusive, de réparer ou de remplacer les pièces avant de décider de remplacer les produits.

Garantie limitée de deux sur la main-d'œuvre : En vigueur pour les achats à compter du 1er Janvier 2023. Pour une période de deux ans à partir de la date d'achat originale des produits, nous fournirons sans frais la main-d'œuvre requise pour procéder à la réparation des produits ou des pièces qui ont cessé de fonctionner en raison d'un défaut de fabrication, sous réserve des exclusions et limites énumérées ci-dessous. Un an après la date d'achat original, vous êtes responsable de tous les frais de main-d'œuvre associés à la présente garantie.

Pour obtenir du service en vertu de la garantie limitée : Pour être admissible au service de garantie, vous devez (a) nous aviser à l'adresse ou au numéro de téléphone se trouvant ci-dessous dans les soixante jours qui suivent la découverte du défaut; (b) nous fournir le numéro de modèle et le numéro de série; (c) décrire la nature de tout défaut du produit ou de la pièce. Au moment de présenter la demande de service de garantie, vous devez fournir une preuve d'achat ainsi qu'une preuve de la date d'achat originale. Si nous déterminons que l'une ou l'autre des exclusions de garantie énumérées ci-dessus s'applique à votre cas ou si vous ne nous fournissez pas les documents nécessaires pour obtenir du service, vous serez responsable de tous les frais associés à l'expédition, au déplacement et à la main-d'œuvre, ainsi que tous les autres frais liés aux services obtenus. La présente garantie ne se prolonge pas et ne recommence pas lors d'une réparation ou d'un remplacement couvert par la garantie.

Veillez consulter notre site Web pour obtenir de plus amples renseignements sur nos produits à www.zephyronline.com.

Exclusions de la garantie : Cette garantie ne couvre que la réparation ou le remplacement, à notre discrétion, des pièces ou produits défectueux. Elle ne couvre aucun autre coût lié aux produits, y compris, sans s'y limiter, ce qui suit : (a) services d'entretien et de réparation normaux requis pour les produits et les pièces non durables, comme des filtres, des ampoules et des fusibles; (b) dommage à un produit ou à une pièce qui a été endommagé lors de l'expédition ou en raison d'un mauvais usage, de négligence, d'un accident, d'une installation fautive ou contraire aux instructions, de travaux d'entretien inadéquats ou d'une réparation inadéquate (autre que par nous); (c) utilisation commerciale ou gouvernementale des produits, utilisation allant à l'encontre de l'usage prévu; (d) usure naturelle du fini ou usure causée par un entretien inadéquat, utilisation de produits nettoyants abrasifs ou corrosifs, de tampons nettoyeurs et de produits à nettoyer les fours; (e) éclats, bosselures ou craquelures causés par une mauvaise utilisation des produits; déplacements à votre domicile pour vous montrer comment utiliser les produits; dommages aux produits causés par un accident, un incendie, une inondation, une catastrophe naturelle; (h) installation personnalisée ou modification ayant une incidence sur l'état de fonctionnement des produits; (i) dommages à des biens personnels ou altération d'aliments en raison de l'utilisation des produits. Si vous vous trouvez à l'extérieur de la région que nous desservons, des coûts supplémentaires pourraient s'appliquer à l'expédition de pièces pour une réparation sous garantie à l'un de nos points de service désignés et au déplacement d'un technicien de service à votre domicile pour réparer, désinstaller ou réinstaller les produits. Un an après la date d'achat original, vous êtes également responsable de tous les frais de main-d'œuvre associés à la présente garantie. Tous les produits doivent être installés par un installateur professionnel qualifié pour pouvoir recevoir des services d'entretien ou de réparation sous garantie.

Limites de la garantie : NOTRE OBLIGATION DE RÉPARER OU DE REMPLACER LES PRODUITS, À NOTRE DISCRÉTION, CONSTITUE VOTRE RECOURS UNIQUE ET EXCLUSIF EN VERTU DE LA PRÉSENTE GARANTIE. NOUS NE POURRONS EN AUCUN CAS ÊTRE TENUS RESPONSABLES DE TOUT DOMMAGE INDIRECT, CONSÉCUTIF OU PARTICULIER ATTRIBUABLE OU LIÉ À L'UTILISATION OU AU RENDEMENT DES PRODUITS. LES GARANTIES EXPRESSES DE LA SECTION ANTÉRIEURE SONT EXCLUSIVES ET REMPLACENT TOUTES LES AUTRES GARANTIES EXPRESSES. NOUS REJETONS ET EXCLUONS AUX PRÉSENTES TOUTES LES AUTRES GARANTIES EXPRESSES COUVRANT LES PRODUITS AINSI QUETOUTES LES GARANTIES IMPLICITES EN VERTU DE LA LOI, Y COMPRIS CELLES RELATIVES À LA QUALITÉ MARCHANDE ET À L'ADÉQUATION À UN USAGE PARTICULIER. Dans les états ou provinces ne permettant pas une limite de la durée d'une garantie implicite, ou une exclusion ou limite des dommages indirects ou consécutifs, les limites et exclusions mentionnées ci-dessus ne s'appliquent pas. Dans la mesure où les lois en vigueur interdisent l'exclusion de garanties implicites, la durée de toute garantie implicite pertinente se limite aux mêmes périodes d'un an et de deux ans décrites ci-dessus, si les lois en vigueur le permettent. Toute description orale ou écrite des produits ne sert qu'à identifier les produits et ne peut être considérée comme une garantie expresse. Avant d'utiliser, de mettre en marche ou de permettre l'utilisation des produits, vous devez déterminer la pertinence des produits pour leur usage prévu, et vous devez assumer tous les risques et toutes les responsabilités liés d'une manière ou d'une autre à cette décision. Nous nous réservons le droit d'utiliser des pièces ou produits réparés ou remis en état dont le fonctionnement est équivalent aux pièces originales lorsque nous effectuons un remplacement ou une réparation sous la garantie. Le premier acheteur ne peut transférer cette garantie, qui n'est valide que dans le domicile du consommateur où le produit a été installé à l'origine, aux États-Unis ou au Canada. Cette garantie ne peut être transférée à un revendeur.

Enregistrement du produit

KEGERATOR ET
REFROIDISSEUR DE BOISSONS

INTÉRIEUR ET EXTÉRIEUR

N'oubliez pas d'enregistrer votre réfrigérateur Zephyr Presrv™

Félicitations pour votre achat de Presrv ! Veuillez prendre quelques instants pour enregistrer votre nouveau réfrigérateur.

C'EST IMPORTANT

L'enregistrement de votre produit aide à bien des égards

- Il assure la couverture de votre garantie si vous avez besoin de service après-vente.
- À des fins d'assurance, il permet de confirmer que vous êtes le propriétaire.
- Il vous permet de recevoir des avis concernant des modifications ou des rappels de produits.

Que diriez-vous d'un avis?

Pendant que vous y êtes, laissez un commentaire et dites-nous à quel point vous aimez votre nouveau réfrigérateur.



Enregistrer

zephyronline.com/registration



Passer en revue

qrs.ly/c7ea9sj

Recherchez votre numéro de modèle Presrv dans la barre de navigation supérieure

ZEPHYR

zephyronline.com | 2277 Harbor Bay Pkwy. | Alameda, CA 94520 | 1.888.880.8368