

FIREMAGIC®

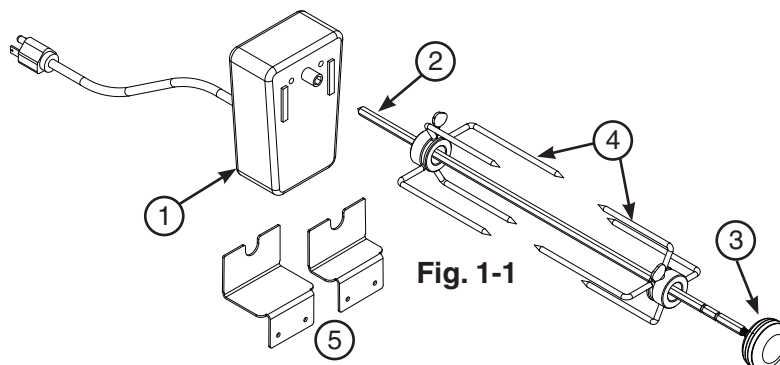
ELECTRIC GRILL ROTISSERIE KIT

MODEL # 3604S

INSTALLER: Leave these instructions with consumer.
CONSUMER: Retain for future reference.



Item	Description	Qty.
1.	Rotisserie motor	1
2.	Rotisserie rod	1
3.	Rotisserie knob	1
4.	Meat holder (pair)	1
5.	Bracket (two sizes)	2



This rotisserie kit is for use with Fire Magic Electric Grills only.

BRACKET SETUP

- Using a Phillips screwdriver; remove the 2 screws located towards the rear, left side of the grill.
- Select the correct rotisserie bracket for your installation. The small bracket included with the rotisserie kit is to be used with countertop and patio post mount models. The large bracket is to be used with Electric Grill Island Bundle models (see Fig. 1-2).
- Align the holes of the rotisserie bracket with the exposed screw holes on the grill. Using the screws from step 1, fasten the bracket to the grill (see Fig. 1-3).
- Slide the rotisserie motor onto the bracket (see Fig. 1-4).

Reference the Electric Grill owner's manual for details on how to setup the grill for rotissing, loading the rotisserie rod, and overall use.

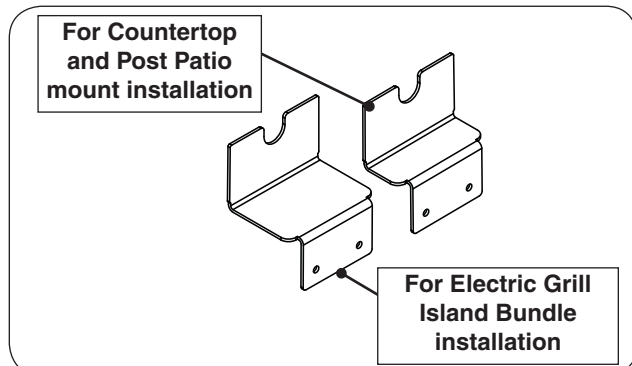


Fig. 1-2 Select rotisserie bracket

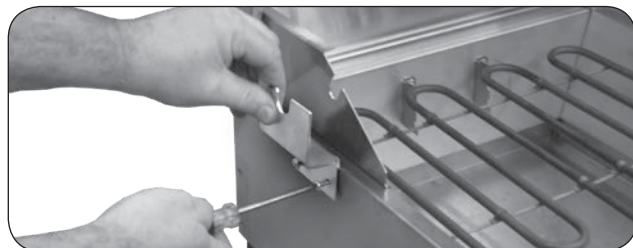


Fig. 1-3 Install bracket

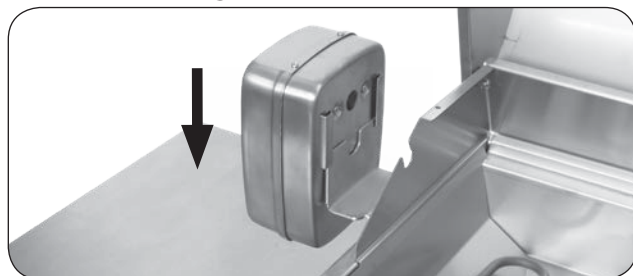


Fig. 1-4 Install rotisserie motor