



Fire Pit Tables

Sierra and Grandstone

Installation Instructions



Contents

Contents.....	2
Required Tools.....	3
Placing the Table.....	4
Gas Connection.....	5
Igniter Installation.....	6
Placing the Top.....	7
Burner Installation.....	8
Locating Propane tank.....	9
Door Installation.....	10

Notice:

This unit is listed for use in North America for both residential and commercial applications. In the event that the appliance can be used by those unfamiliar with the appliance, we suggest the use of a master Key Valve to prevent unauthorized use. The use of a Glass Guard is also strongly recommended when small children or other individuals with reduced sensory or mental capacities may be in close proximity to the appliance.

Required Tools



- **Utility Knife**

To cut and remove packaging



- **2 Open Ended Wrenches**

To make gas connections



- **Leather Gloves**

To protect hands from rough edges found on the coffee table.



- **One (1) AAA Battery (not included)**

Required for igniter installation for Crystal Fire burners.



- **It is recommended that a minimum of two people assemble and install fire pit tables.**

Placing the Fire Pit table

1. Remove access door
2. Remove the base from the box
3. Move the base without door to desired location and set into place.
4. When locating your coffee table, refer to the Crystal Fire manual and maintain clearance to combustibles.

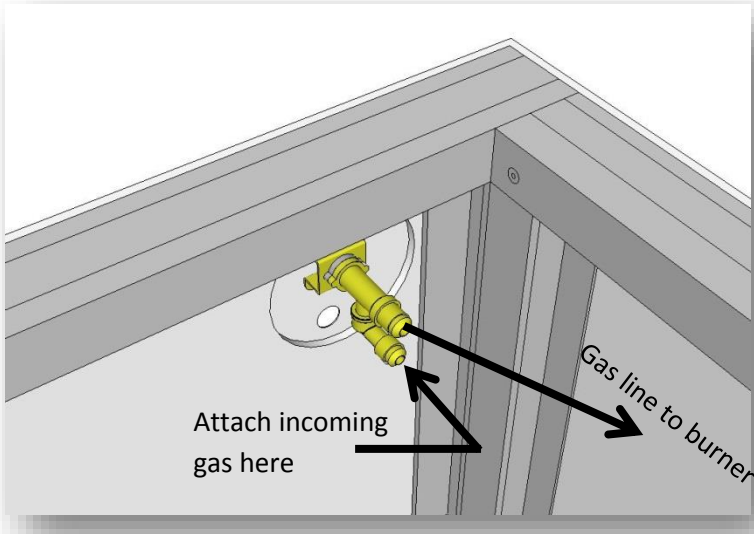


Before completing the following steps, read and understand the Crystal Fire owner's manual.

Gas Connection

1. Connect the incoming black rubber gas hose to the valve. It is not recommended to use Teflon tape or pipe dope on the connection to the valve with flare fittings.
 - LP installations use the hose and regulator provided with the burner.
 - Natural Gas installations refer to the supplied Crystal Fire Manual.

Use two wrenches to fully tighten gas connections.

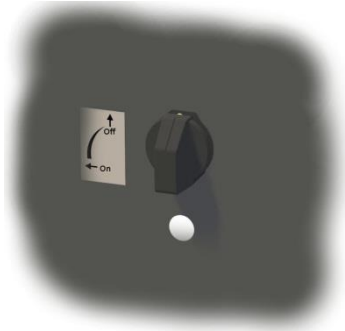


Do not make gas connections to burner until concrete, tile, or granite top is installed. Gas connections can be made from below or from above by lifting burner out of top to access gas line.

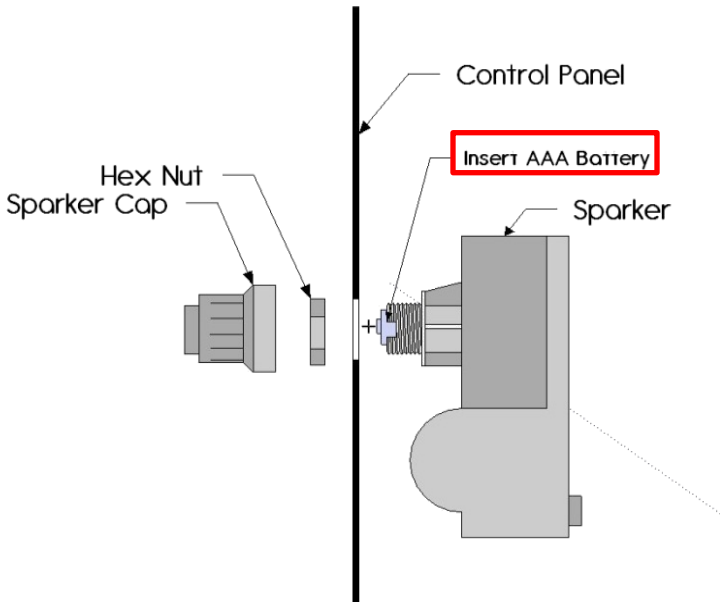
Igniter Installation

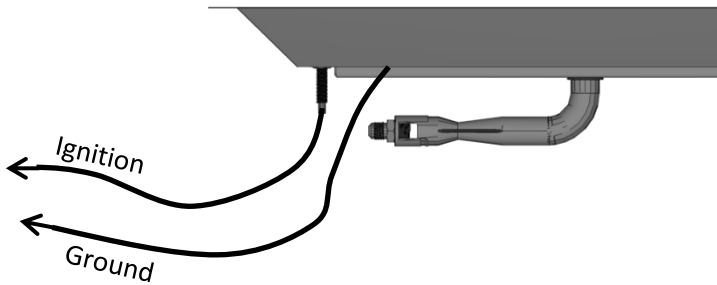
Note: Before installing ignition system, ensure that gas valves are closed and gas is disconnected for safety.

1. Make sure the valve is in the OFF position



2. Unscrew sparker cap and hex nut (sparker included with burner). Install as shown below.





3. To properly install ignition system, an Ignition and Ground wire need to be attached to the igniter box.
 - Start by plugging the black Ignition wire hanging from the burner in to one side of the back of the igniter (either side is fine).
 - Next; plug the Ground wire into the open port on the igniter box.
 - Test system by depressing the button on the igniter. A continuous repeating spark at the igniter on the burner means everything is connected properly. Consult the troubleshooting section of your crystal fire owner's manual if spark is weak, intermittent, or not present.
4. Once ignition system is grounded and gas connections are secured and checked for leaks, set the burner back into its original position if it was removed during gas hookup.

Placing the top

1. With the help of at least one other person, remove concrete, granite, or tile top from packaging and gently lower on to your fire pit table base. Construction adhesive or silicone may be used on the top of the base for a more stable and permanent placement in heavy use areas.

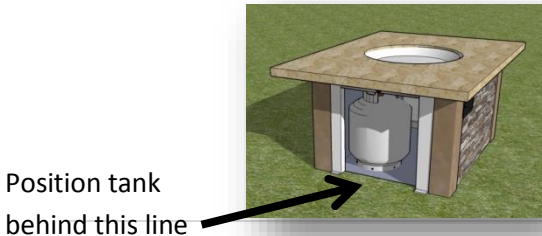
Burner Installation



Lower burner onto base **with burner neck facing in the direction of control panel location.**

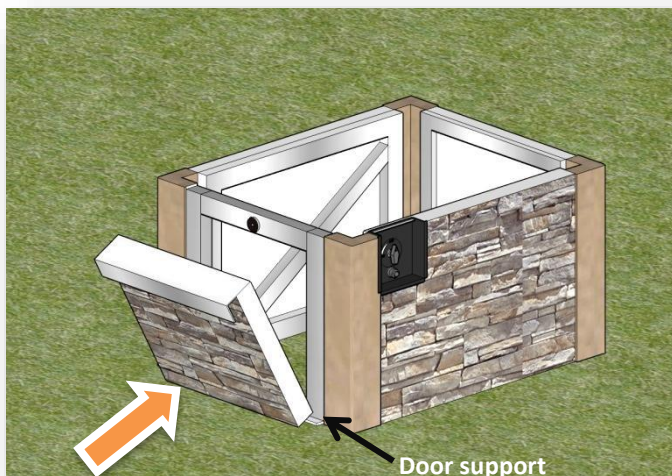
Locating your Tank

1. Your tank should be positioned so that the fuel can be shut off after each use.
2. Slide the tank into the framework past the line shown below. This is to allow the door to close completely.
3. Confirm all hoses are clear and not touching the burner.



Position tank
behind this line

Door Installation



Set door on supports and close. Magnet will hold door in closed position.

IMPORTANT

Please consult your Crystal Fire instruction manual for detailed instructions and important information related to hooking up your burner, including safety information, proper tightening of connections with two wrenches and full burner setup and lighting instructions.

DO NOT ATTEMPT TO INSTALL BURNER WITHOUT FIRST CONSULTING THE MANUAL. IF YOU ARE UNSURE OF HOW TO COMPLETE THE STEPS OUTLINED, CONSULT A QUALIFIED TECHNICIAN

WARNING

After consulting the manual and following instructions, remember; before operating, all gas connections must be fully checked for leaks

Warranty: Fire pit tables are covered under a 1-year manufacturer's warranty. Please visit <http://www.outdoorrooms.com/warranty-form> to register your product.



14400 Southcross Drive West • Suite 100 • Burnsville, MN 55306
Toll Free: 1-866-303-4028 • Sales@OutdoorRooms.com

