



Stainless Solid



Stainless Solid (Lock)

### Key Features

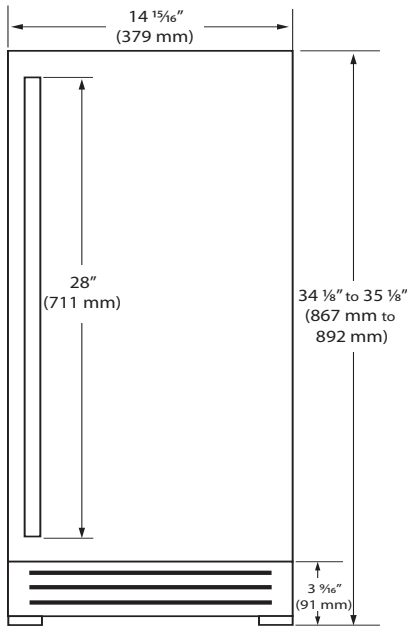
- Convection cooling system provides a quick cool down and consistent temperature
- Digital touch pad control with blue LED display
- Stainless steel cabinet, toe-kick, and full-wrap door
- Volume of 3.1 cu ft holds up to 61 bottles (12 oz) or 100 cans (12 oz)
- Temperature range: 34°F - 60°F
- Bright white LED lighting
- White interior
- Three adjustable tempered glass shelves
- Stainless steel handle (7/8" diameter)
- Field reversible door is shipped right-hand hinged
- Built-in or freestanding
- Four adjustable leveling legs
- Door lock model available

### Model Details

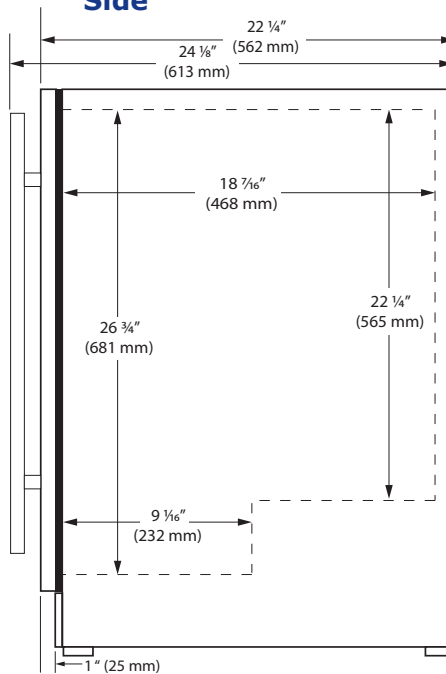
Model	Voltage/Hz	Door Swing	Finish	Shipping Weight
UORE115-SS01A	115 / 60	Field Reversible	Stainless Solid	83 lb
UORE115-SS31A	115 / 60	Field Reversible	Stainless Solid (Lock)	83 lb

### Dimensions

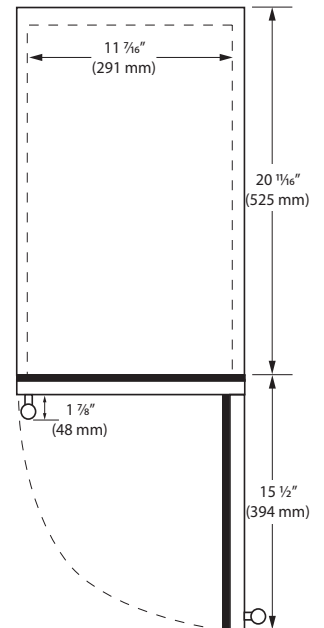
#### Front



#### Side



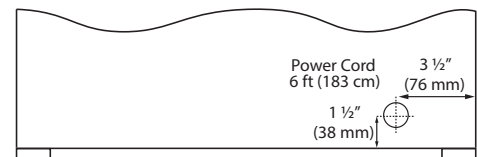
#### Top



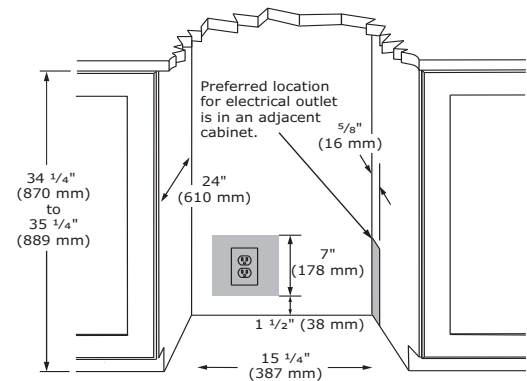
### Specifications

Model	ORE115
Amps: Running	1.2
Capacity: Bottle (12 oz)	61
Capacity: Can (12 oz)	100
Capacity: Volume (cu ft)	3.1
Capacity: Wine Bottle (750 ml)	N/A
Dimensions: Product Depth	22 1/4" / 562 mm
Dimensions: Product Height	34 1/8" / 867 mm
Dimensions: Product Width	14 15/16" / 379 mm
Energy Consumption: Avg. Per Year	225 kWh
ENERGY STAR	Tier 3
Product Weight: Max	83 lb
Refrigerant Type	R600a
Sabbath (Star K Certified)	Yes
Temperature Range	34°F - 60°F

#### Back



#### Cabinet Cut-Out



### Warranty

- 1 Year (parts & labor) / 5 year sealed system (parts)
- **2 Year (parts & labor) / 5 year sealed system (parts) upgrade at no cost with product registration**



See complete warranty for details

### Installation Notes

- 15" cutout width sufficient if door protrudes beyond adjacent cabinetry
- No additional clearance is needed for ventilation
- Do not obstruct front grille air flow

